

## **Installation instructions and User guide**

### **Designer series wall canopy**

HC90DXB1, HC90DMB1 models

NZ AU GB IE

# Contents

Safety and warnings	1
Installation instructions	2
Getting started quickly	5
Cleaning and maintenance	6
Manufacturer's warranty	7
Customer care	8

## ***Important!***

### **SAVE THESE INSTRUCTIONS**

*The models shown in this User Guide may not be available in all markets and are subject to change at any time. For current details about model and specification availability in your country, please visit our local website listed on the back cover or contact your local Fisher & Paykel dealer.*

## Important!

- Please read the entire set of instructions before installing the wall canopy.
- This wall canopy is not intended for use by young children or infirm persons without supervision.
- Young children should be supervised to ensure that they do not play with the wall canopy.
- There must be adequate ventilation of the room when the wall canopy is used at the same time as appliances burning gas or other fuels. (A partial vacuum in the room could result in too high a concentration of gas in the air).
- You must read the details concerning the method and frequency of cleaning.
- There is a fire risk if cleaning is not carried out in accordance with the instructions.
- Do not flambé under the wall canopy.
- Exhaust air must not be discharged into an existing flue that is used for exhausting fumes from appliances burning gas or other fuels.
- The minimum distance between the cooktop surface and the filters of the wall canopy shall be 600 mm, or 650 mm if installed over a gas cooktop.
- Attention should be given to ensure that any applicable regulations concerning the discharge of exhaust air is fulfilled.
- If the supply cord of this equipment is damaged it must only be replaced by the manufacturer, its service agent or similarly qualified person in order to avoid a hazard.
- Always switch the power off prior to installation, servicing or cleaning the wall canopy.
- Never use the wall canopy without the filters in place.
- Stainless steel is very easily damaged during installation if abraded or knocked by tools. It is recommended to protect the top of the canopy with cardboard or polystyrene during the installation to minimise the risk of damage occurring.
- A power outlet should be within 750 mm of the motor assembly and can be either on the wall, behind the chimney or in the ceiling.
- To comply with electrical safety regulations, this canopy must be plugged into a socket near the appliance. The socket must be accessible, or have an accessible isolating switch, to enable the end user to isolate the canopy from the power for the purpose of internal cleaning or maintenance.
- Ducting accessories are not supplied. All ducting must comply with local requirements and building codes.

## **WARNING!**



### **Electrical Shock Hazard**

All electrical work must be done in accordance with local and/or national electrical codes as applicable. For safety, this product must be earthed. If you are unfamiliar with methods of installing electrical wiring, employ the services of a qualified electrician. Turn off power at service entrance before installing wiring or servicing this product.

## **WARNING!**



### **Weight Hazard**

The wall canopy is heavy. Please ensure adequate care is taken when installing the wall canopy to prevent personal injury. The wall canopy must be installed onto a solid wall, stud, beam or truss. Weight of the product is 22.2 kg.

## 2 Installation instructions

Thank you for purchasing a quality Fisher & Paykel wall canopy. Each wall canopy is tested and approved before it leaves the factory, ensuring our high standard of quality control is met.

### Contents of packaging

- 1 x wall canopy
- 2 x chimney pieces with bracket
- 1 x installation instructions
- 3 x aluminium mesh filters
- 2 x 12 x 2" screw
- 2 x cup washer
- 3 x 8 x 1.25" screw
- 1 x wall anchor
- 4 x 6 x ¼" self tapping screw

### Typical equipment required:

- Electric drill
- Screwdriver
- Duct tape
- Jig saw
- Ladder
- Ducting
- Tape measure
- Drill bits
- Spirit level

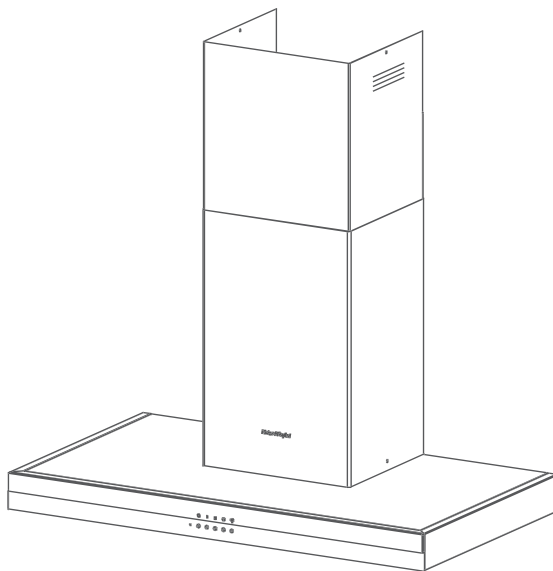


Fig.1 Designer wall canopy

### Accessories

Accessory	Part Number
Chimney ext 3048 mm (10') ceiling SS	RR1740
Chimney ext 3657.6 mm (12') ceiling SS	RR1740
Chimney ext 3048 mm (10') IR	89092
Chimney ext 3657.6 mm (12') IR	89093
Recirculation kit	RR1744
Replacement charcoal filter	R104165
Light bulb	R104467
Replacement aluminium filter	R104660

## Height of wall canopy

- The wall canopy is designed for 2440 mm high ceilings.
- The chimney is telescopic and is designed for wall canopy installations between 650 to 750 mm above the cooking surface.
- Ascertain the desired installation height of the wall canopy.
- Any installation above 750 mm will compromise the extraction performance.
- The air outlet from the motor requires 150 mm round ducting which requires a 160 mm (min) diameter hole in the ceiling.

A = 600 min (electric cook top)

A = 650 min (gas cook top)

B = 225 mm

C = 260 mm

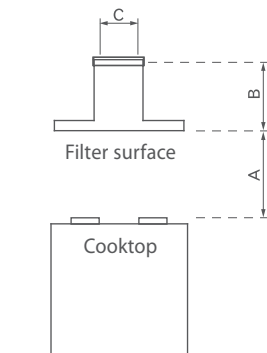


Fig.2 Positioning

## Ducting options

### Recirculation

For recirculation, please purchase a recirculation kit (part no. RR1744). The recirculation kit is required to channel the air out through the side-vents at the top of the flue.

Note: a ducting hole is not required in the wall or ceiling if a recirculation kit is fitted.

### Ducting

For ducted installation, it is recommended that you use 150 mm diameter, rigid or semi-rigid ducting. This will require a 160 mm (min) round hole in the ceiling, which the decorative chimney will cover. Care should be taken to align the canopy with the decorative chimney allowing sufficient clearance to accommodate the ducting.

For optimal efficiency, use smooth-wall, solid galvanized or plastic ducting for reduced noise and increased airflow. Flexible ducting should only be used as a last resort (ie in difficult installations) and if used, ensure that it is pulled tight.

The smoother, straighter and shorter the ducting the quieter and more efficient the wall canopy will perform.

All ducting must comply with local requirements and building codes.

Note: we recommend an Easy Fit by Fisher & Paykel or a UNIDUCT ducting system, products that have been designed to expel air efficiently.

## Preparing the wall canopy for installation

- Please read the instructions carefully before installing the wall canopy.
- Remove the filters from the canopy to allow access to wall mounting holes. To remove the filters, pull the relative catch, tilting it downwards until it disengages from the supports. Reverse these instructions when refitting the filters.
- Prior to drilling any holes, check that the area behind the surface to be drilled is clear of any electrical cables or pipes etc.
- Stainless steel/Iridium is very easily damaged during installation if abraded or knocked by tools.
- Whenever possible, protect the cooktop with cardboard or the like, to prevent damage on installation.

## 4 Installation instructions

- 1 Before commencement, unpack the wall canopy and check that it functions correctly.
- 2 Pre-drill pilot hole 3 mm diameter at dimensions C and B: B = 225 mm and C = 260 mm.  
Note: Fixing to a solid stud is recommended, see Fig.4.
- 3 Loosely fix the 12 x 2" screws and 2 x cup washers in position, check with a spirit level across the screws to ensure they are level.
- 4 Mark the position of the decorative chimney at the ceiling and wall. Cut the cornice moulding away if required, to enable the chimney to fit flush against the wall and ceiling.
- 5 Mark and cut out the hole in the ceiling or wall to fit the ducting (160 mm (min) diameter). This is positioned centrally above the wall canopy, with a centre line 100 mm from the wall (for the ceiling option).
- 6 Using the screws supplied, fix the chimney bracket to the wall or ceiling, checking that it is centrally located above the canopy.
- 7 Remove the protective plastic covering from all parts including the filters.
- 8 Fit the wall canopy onto the mounting screws and tighten.
- 9 Connect and secure the ducting (use duct tape if required).
- 10 Assemble the chimney pieces to a height that best suits the installation, leave these screws loose so that the chimney is free to extend by a few mm. Place the two pieces onto the canopy top and secure the lower part to the canopy sides. Extend the upper chimney to the ceiling and secure in place with the screws supplied.

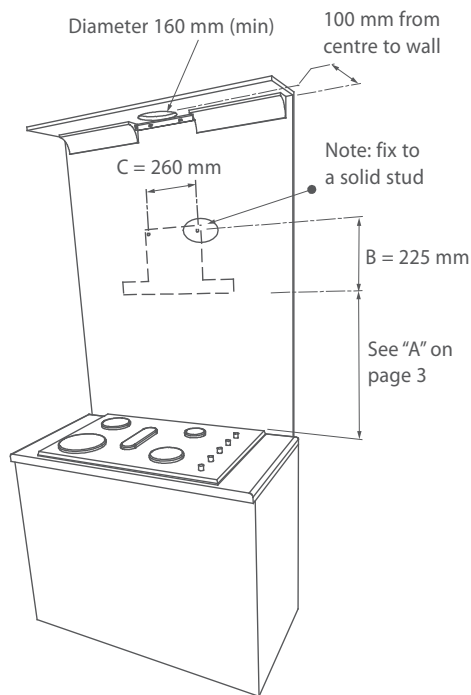


Fig.3 Installation of unit

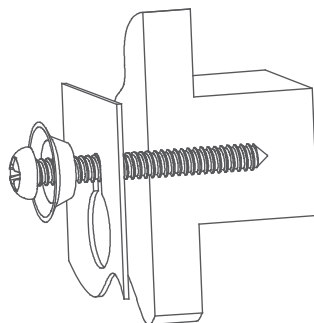


Fig.4 Bolt into solid stud

## Control panel



*Fig.5 Control panel*

**DELAY OFF SWITCH:** Enables the wall canopy to remain on a low, mid or high speed for five minutes, to clear away all residual cooking odours before switching off automatically.

## 6 Cleaning and maintenance

### **Caution!**

*Never use abrasive or oil based liquid cleaners.*

### **General maintenance**

The manufacturer is not liable for any damage caused by not following these instructions.

The wall canopy should be cleaned regularly using warm water with soap or mild liquid detergents. This ensures that no build-up of grease occurs as these deposits are corrosive. Do not use abrasives or harsh detergents/cleaning fluids.

Note: in areas of high humidity and coastal environments cleaning should be carried out frequently.

### **Aluminium filters**

The grease filters must be periodically cleaned (at least every two months).

Remove the grease filters and wash them either by hand using hot soapy water or place them in the dishwasher using mild detergent. Badly smoked filters may be cleaned with "cookware cleaners".

Note: some discolouration of the frame may occur.

### **Charcoal filters**

Charcoal filters are designed to remove grease and odours from cooking vapours, prior to the cleansed air re-entering the kitchen (when the wall canopy is in recirculating mode). Charcoal filters are disposable items and it is recommended that these should be replaced every three to six months depending on use.

Note:

- Fully saturated charcoal filters can become a barrier to air movement, impeding the wall canopy's performance.
- In the event of fire, fully grease laden filters could be flammable and therefore regular replacement is recommended.
- In ducted installations, conventional aluminium filters are recommended.

For replacement charcoal filters, ducting accessories, spare parts and service, please contact your local supplier or Fisher & Paykel Customer Care Centre.

### **Light bulb replacement**

(Halogen bulb 12 Volts/20 Watt)

- 1 Switch off the power to the canopy hood.
- 2 Use a small bladed screwdriver to prise off the light cover, taking care not to damage the surrounding material.
- 3 Remove the defective bulb from the canopy hood.
- 4 Replace with a new bulb using a cloth. Do not touch the bulb with fingers as this will shorten the life of the bulb.
- 5 Snap the cover back into place.

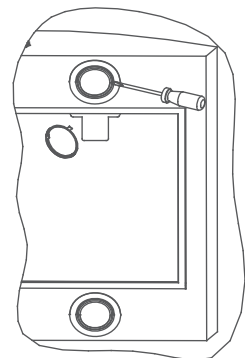


Fig.6 Replacing a light bulb



You automatically receive a 2 year Manufacturer's Warranty with the purchase of this Product covering parts and labour for servicing within the country of purchase.

## **Fisher & Paykel undertakes to:**

Repair or, at its option, replace without cost to the owner either for material or labour any part of the Product, the serial number of which appears on the Product, which is found to be defective within TWO YEARS from the date of purchase.

## **This warranty DOES NOT cover**

- A** Service calls which are not related to any defect in the Product. The cost of a service call will be charged if the problem is not found to be a Product related fault. For example:
  1. Correcting the installation of the Product.
  2. Instructing you how to use the Product.
  3. Replacing house fuses or correcting house wiring.
  4. Correcting fault(s) caused by the user.
  5. Noise or vibration that is considered normal, eg. fan sounds, refrigeration noises or user warning beeps.
  6. Correcting damage caused by pests, eg. rats, cockroaches etc.
- B** Defects caused by factors other than:
  1. Normal domestic use or
  2. Use in accordance with the Product's User Guide.
- C** Defects to the Product caused by accident, neglect, misuse or 'Act of God'.
- D** The cost of repairs carried out by non-authorized repairers or the cost of correcting such unauthorised repairs.
- E** Normal recommended maintenance as set out in the Product's User Guide.
- F** Repairs when the appliance has been dismantled, repaired or serviced by other than a Fisher & Paykel AUTHORISED CUSTOMER SERVICE CENTRE or the selling dealer.
- G** Pick up and delivery.
- H** Transportation or travelling costs involved in the repair when the Product is installed outside the Fisher & Paykel AUTHORISED CUSTOMER SERVICE CENTRE'S normal service area.

This Product has been designed for use in a normal domestic environment. It is not intended for commercial use. Doing so may affect Product warranty.

Service under this manufacturer's warranty must be provided by an Authorised Service Agent (refer to the Customer care section for contact details). Such service shall be provided during normal business hours. This warranty certificate should be shown when making any claim.

### **Note:**

This Warranty is an extra benefit and does not affect your legal rights.

**Please keep this User Guide in a safe place.**

Check the things you can do yourself.  
Refer to your User Guide and check:

- 1 Your appliance is correctly installed.
- 2 You are familiar with its normal operation.



If after checking these points you still need assistance, please refer to your nearest AUTHORISED SERVICE CENTRE, or contact us through our local website listed on the back cover.

### **In New Zealand if you need assistance...\***

Call your Fisher & Paykel retailer who is trained to provide information on your appliance, or if we can be of any further help, please contact our Customer Care Centre,

**Toll Free:** 0800 FP CARE or 0800 37 22 73      **Fax:** (09) 273 0656

**Email:** customer.care@fp.co.nz

**Postal address:** P.O. Box 58732, Greenmount, Auckland

### **If you need service...\***

Fisher & Paykel has a network of independent Fisher & Paykel Authorised Service Centres whose fully trained technicians can carry out any service necessary on your appliance. Your dealer or our Customer Care Centre can recommend an Authorised Service Centre in your area.

### **In Australia if you need assistance...\***

Call the Fisher & Paykel Customer Care Centre and talk to one of our Customer Care Consultants.

**Toll Free:** 13 00 650 590      **Fax:** (07) 3826 9298

**Email:** customer.care@fp.com.au

**Postal Address:** PO Box 798, Cleveland QLD 4163

### **If you need service...\***

Fisher & Paykel Australia Pty Ltd has a network of independent Fisher & Paykel Authorised Service Centres whose fully trained technicians can carry out any service necessary on your appliance. Our Customer Care Centre can recommend an Authorised Service Centre in your area.

### **In United Kingdom if you need assistance...\***

**Phone:** (0845) 066 2200

**Fax:** (0845) 331 2360

**Email:** customer.care@fisherpaykel.co.uk

**Postal Address:** Fisher & Paykel Appliances Limited, Maidstone Road, Kingstons, Milton Keynes, Buckinghamshire, MK10 0BD

### **In Ireland if you need assistance...\***

**Phone:** 01800 625 174

**Fax:** 01800 635 012

**Email:** customer.care@fisherpaykel.ie

**Postal Address:** Fisher & Paykel Appliances (Irl) Ltd, Unit D2, North Dublin Corporate Park, Swords, Co Dublin

\*If you call or write, please provide: name, address, model number, serial number, date of purchase and a description of the problem. This information is needed in order to better respond to your request for assistance.

**Product Details**

Fisher & Paykel Appliances Ltd

**Model/Serial No.**

**Date of Purchase** \_\_\_\_\_ **Purchaser** \_\_\_\_\_

**Dealer** \_\_\_\_\_ **Suburb** \_\_\_\_\_

**Town** \_\_\_\_\_ **Country** \_\_\_\_\_

Copyright © Fisher & Paykel 2009. All rights reserved.  
The product specifications in this booklet apply to the specific products and models described at the date of issue. Under our policy of continuous product improvement, these specifications may change at any time. You should therefore check with your Dealer to ensure this booklet correctly describes the product currently available.

**[www.fisherpaykel.co.nz](http://www.fisherpaykel.co.nz)**  
**[www.fp.com.au](http://www.fp.com.au)**  
**[www.fisherpaykel.co.uk](http://www.fisherpaykel.co.uk)**  
**[www.fisherpaykel.ie](http://www.fisherpaykel.ie)**

NZ AU GB IE  
Designer series wall canopy  
Installation instructions and user guide  
Published: 02/2009  
**Part No. 400005 D**

## Free Manuals Download Website

<http://myh66.com>

<http://usermanuals.us>

<http://www.somanuals.com>

<http://www.4manuals.cc>

<http://www.manual-lib.com>

<http://www.404manual.com>

<http://www.luxmanual.com>

<http://aubethermostatmanual.com>

Golf course search by state

<http://golfingnear.com>

Email search by domain

<http://emailbydomain.com>

Auto manuals search

<http://auto.somanuals.com>

TV manuals search

<http://tv.somanuals.com>