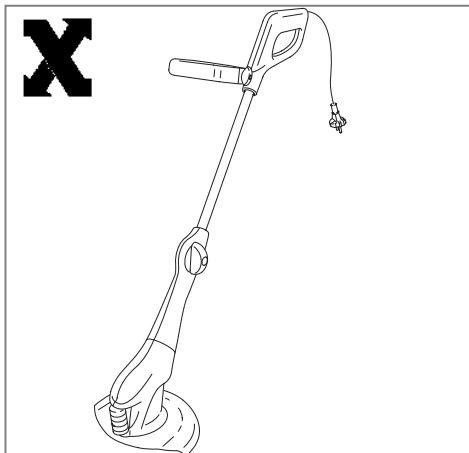


# Flymo

 Electrolux

# Multi-Trim



GB

#### IMPORTANT INFORMATION

Read before use and retain for future reference

D

#### WICHTIGE INFORMATION

Bitte vor dem Benutzen des Gerätes durchlesen und gut aufbewahren

F

#### RENSEIGNEMENTS IMPORTANTS

A lire avant usage et à conserver pour référence ultérieure

NL

#### BELANGRIJKE INFORMATIE

Leest u deze informatie voor het gebruik en bewaar ze voor toekomstige raadpleging

N

#### VIKTIG INFORMASJON

Les bruksanvisningen nøye før bruk og oppbevar den for senere bruk

SF

#### TÄRKEÄÄ TIETOA

Lue tämä ennen käyttöä ja säilytä myöhempää tarvetta varten

S

#### VIKTIG INFORMATION

Läs anvisningarna före användningen och spara dem för framtida behov

DK

#### VIGTIGE OPLYSNINGER

Léase antes de utilizar y conserve para consulta futura

E

#### INFORMACIÓN IMPORTANTE

Léase antes de utilizar y conserve para consulta futura

P

#### INFORMAÇÕES IMPORTANTES

Leggere prima dell'uso e conservare per ulteriore consultazione

I

#### INFORMAZIONI IMPORTANTI

Leggere prima dell'uso e conservare per ulteriore consultazione

HU

Jótállást vállalni csak rendeltetésszerűen használatba vett gépekre tudunk. Kérjük, hogy a gép használatba vétele előtt gondosan olvassa el a kezelési utasításokat.

PL

Gwarancja traci ważność w przypadku używania urządzenia do celów innych niż wymienione w instrukcji obsługi. Prosimy o uważne przeczytanie instrukcji oraz o stosowanie się do zaleceń i wskazówek w niej zawartych

CZ

Záruka se nebude vztahovat na závady způsobené nesprávným používáním, nebo jestliže bude výrobek použit pro jiné účely než pro jaké byl vyroben, nebo také jinak než je uvedeno v návodu k obsluze. Tento návod si přečtěte, prosím, velmi pozorně a uchovejte jej pro možné budoucí odkazy

SK

Záruka na tento produkt nebude uznaná v prípade porúch spôsobených nesprávnou obsluhou alebo používaním výrobku na iný účel alebo iným spôsobom, ako je uvedené. Pred začatím práce si prosím dôkladne prečítajte návod na obsluhu a tento si aj pre prípad potreby uschovajte

SL

Garancija ne velja ob nepravilni uporabi proizvoda in/ali ob uporabi za drugi namen kot je izdelan. Prosimo, da pred uporabo, preverite pazljivo navodila za obratovanje in jih shranite za kasnejšo rabo.

**GB - CONTENTS**

1. Steady Handle
2. Bolt
3. Handle Knob
4. Nut (if applicable)
5. Scraper Tool (Multi Trim 200)
6. Safety Guard
7. Instruction Manual
8. Warning Label
9. Product Rating Label

**D - INHALT**

1. Haltegriff
2. Bolzen
3. Griffknopf
4. Mutter (falls vorhanden)
5. Reinigungswerkzeug (Multi Trim 200)
6. Schutzvorrichtung
7. Bedienungsanweisung
8. Warnetikett
9. Produkttypenschild

**F - TABLE DES MATIÈRES**

1. Poignée auxiliaire
2. Vis
3. Vis papillon
4. Ecrou (si applicable)
5. Racloir (Multi Trim 200)
6. Carter
7. Manuel d'Instructions
8. Etiquette d'avertissement
9. Plaquette des Caractéristiques du Produit

**NL - INHOUD**

1. Tweede handvat
2. Bout
3. Handvatknop
4. Moer (indien van toepassing)
5. Schrapeer (Multi Trim 200)
6. Beschermplaat
7. Handleiding
8. Garantiekaart
9. Product-informatielabel

**N - INNHOLD**

1. Håndtaksbøyle
2. Festebolt
3. Mutter for håndtaksbolt
4. Mutter (om relevant)
5. Plast skrape (Multi Trim 200)
6. Trimmerskjerm
7. Bruksanvisning
8. Advarselsetikett
9. Produktmerking

**SF - SISÄLTÖ**

1. Vakain
2. Pultti
3. Kahvan nuppi
4. Mutteri (jos käytössä)
5. Kaavin (Multi Trim 200)
6. Teränsuojus
7. Käyttöopas
8. Takuukortti
9. Ruohonleikkurin arvokilpi

**S - INNEHÅLL**

1. Stödhandtag
2. Bult
3. Handtagsratt
4. Mutter (om sådan är monterad)
5. Skrapare (Multi Trim 200)
6. Trimmersköld
7. Bruksanvisning
8. Varningsetikett
9. Produktmärkning

**DK - INDHOLD**

1. Støttehåndtag
2. Bolt
3. Håndtagsknop
4. Møtrik (hvis relevant)
5. Skræbeværktøj (Multi Trim 200)
6. Beskyttelsesskærm
7. Brugsvejledning
8. Advarselsmærkat
9. Produktets mærkeskilt

**E - CONTENIDO**

1. Manilla del asa
2. Perno
3. Gatillo del Manillar
4. Tuerca (si fuera aplicable)
5. Herramienta de raspar (Multi Trim 200)
6. Cubierta protectora
7. Manual de instrucciones
8. Etiqueta de Advertencia
9. Placa de Características del Producto

**P - LEGENDA**

1. Pega fixa
2. Parafuso
3. Fêmea do parafuso da pega
4. Porca (se aplicável)
5. Ferramenta para raspar (Multi Trim 200)
6. Protecção de segurança
7. Manual de Instruções
8. Etiqueta de Aviso
9. Rótulo de Avaliação do Produto

**I - INDICE CONTENUTI**

1. Impugnatura
2. Bullone
3. Manopola dell'impugnatura
4. Dado (se pertinente)
5. Raschietto (Multi Trim 200)
6. Protezione testa di taglio
7. Manuale di istruzioni
8. Etichetta di pericolo
9. Etichetta dati del prodotto

**HU - TARTALOMJEGYZÉK**

1. Alsó fogantyú
2. Csavar
3. Fogantyúgomb
4. Anya (ha van)
5. Kaparószerszám (Multi Trim 200)
6. Biztonsági perem
7. Kezelési útmutató
8. Figyelmeztető címke
9. Termékminősítő címke

**PL - ZAWARTOSC KARTONU**

1. Uchwyt
2. Śruba
3. Gałka uchwyty
4. Nakrętka (jeżeli jest)
5. Skrobak (Multi Trim 200)
6. Ostrona bezpieczeństwa
7. Instrukcja Obsługi
8. Znaki bezpieczeństwa
9. Tabliczka znamionowa

**CZ - POPIS STROJE**

1. Pevná rukojeť
2. Šroub
3. Křídlová matice
4. Matice (pokud se používá)
5. Škrabka (Multi Trim 200)
6. Ochranný kryt
7. Návod k obsluze
8. Výstražný štítek
9. Typový štítek výrobku

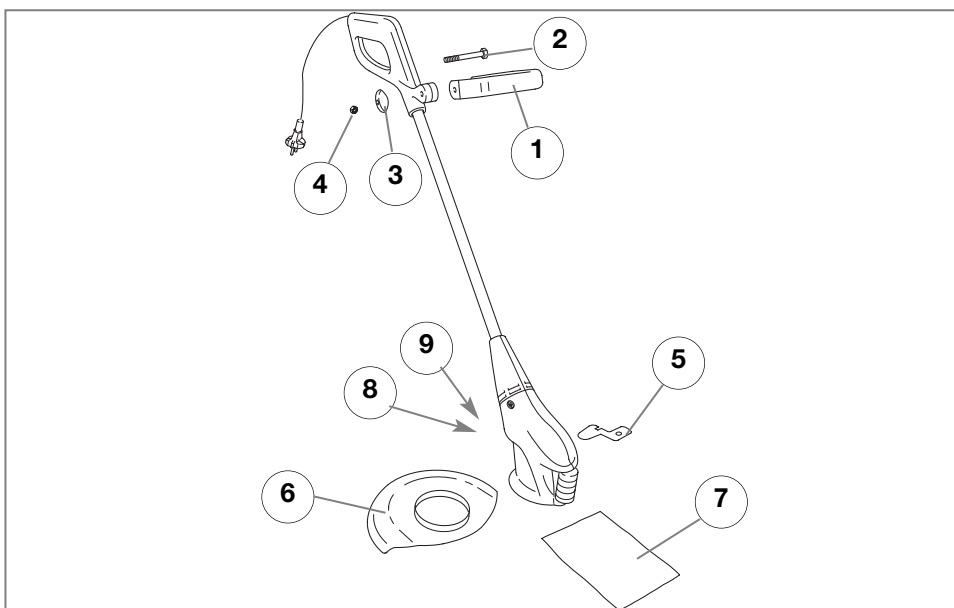
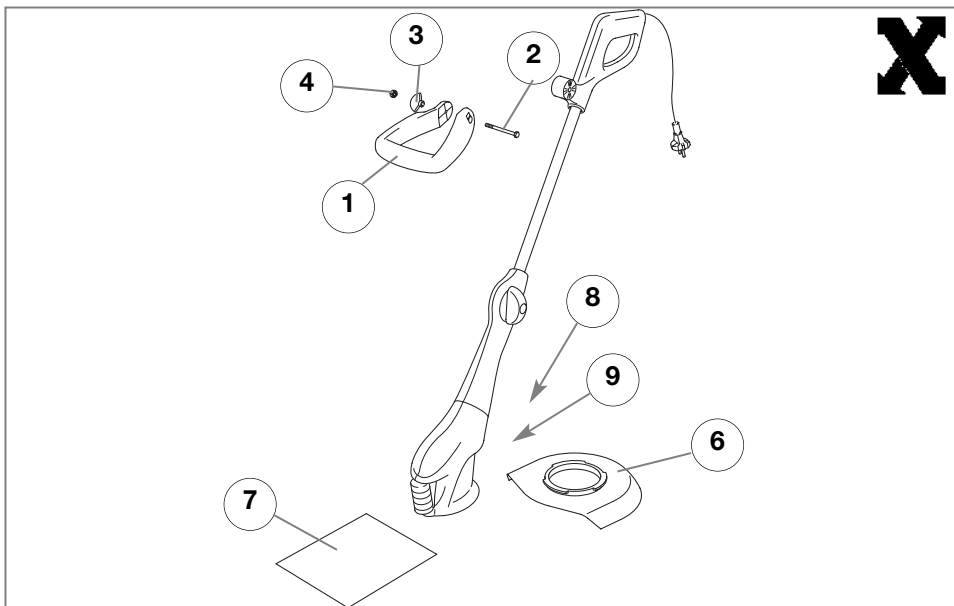
**SK - OBSAH**

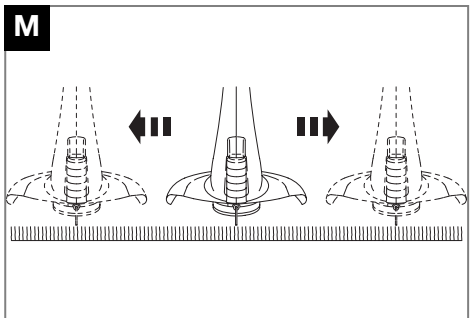
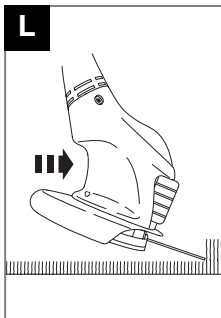
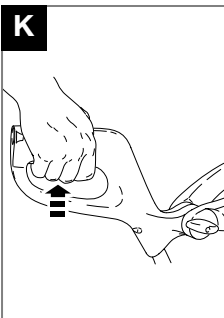
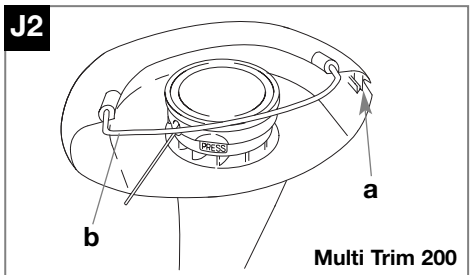
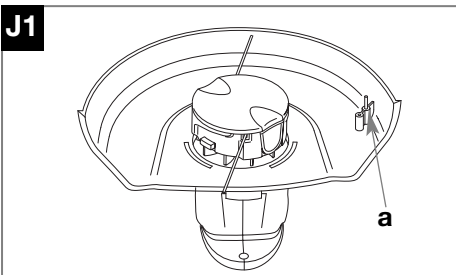
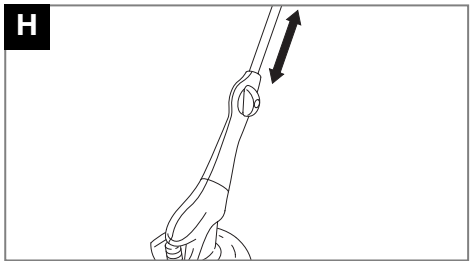
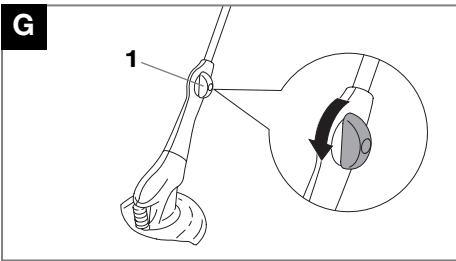
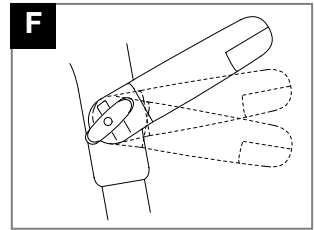
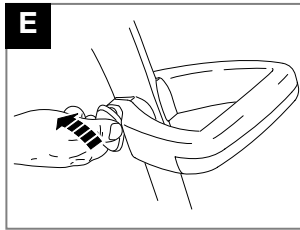
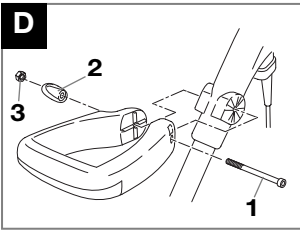
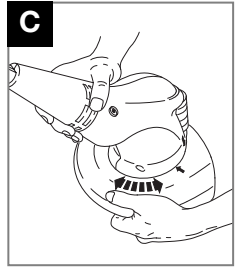
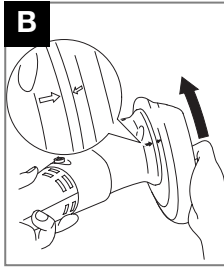
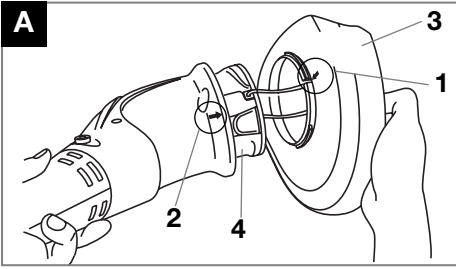
1. Oporná rukoväť
2. Skrutka
3. Otáčavý gombík rukoväte
4. Matka (ak aplikovateľné)
5. Škrabka (Multi Trim 200)
6. ochranný kryt
7. Príručka
8. Varovný štítok
9. Prístrojový štítok

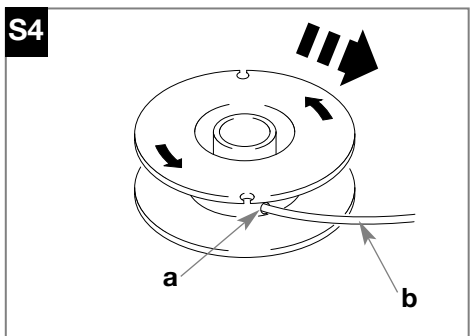
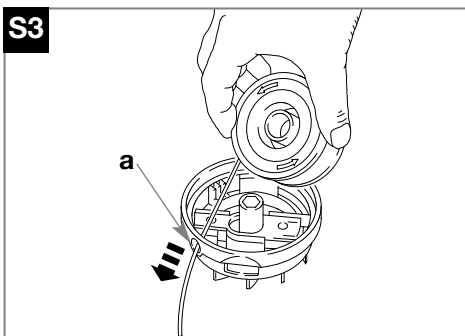
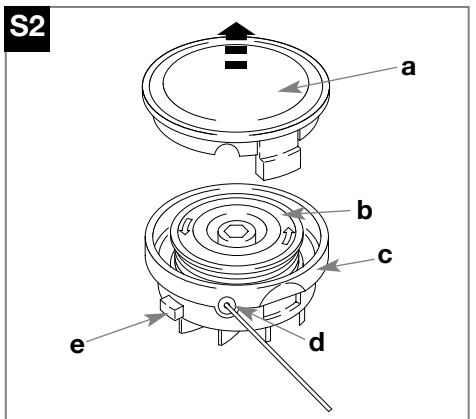
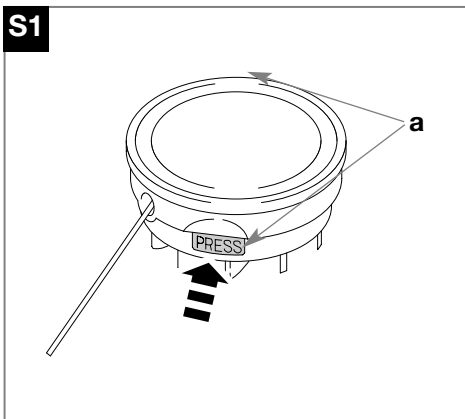
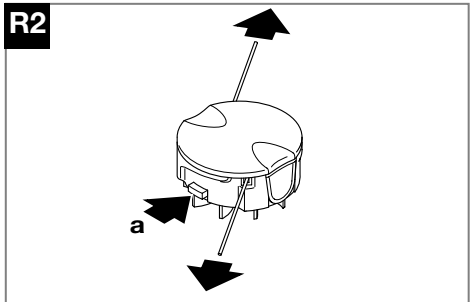
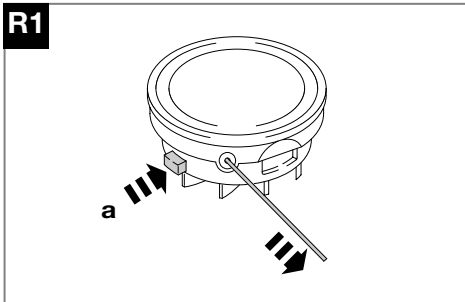
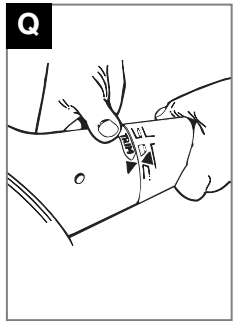
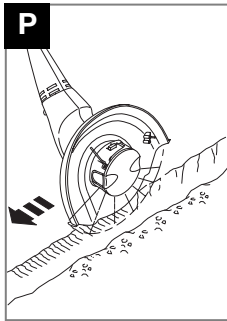
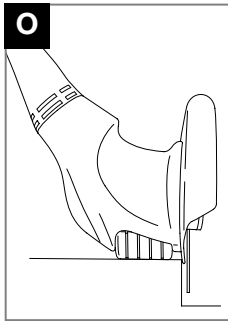
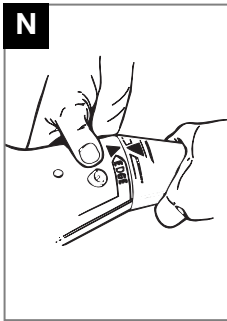
**SL - VSEBINA**

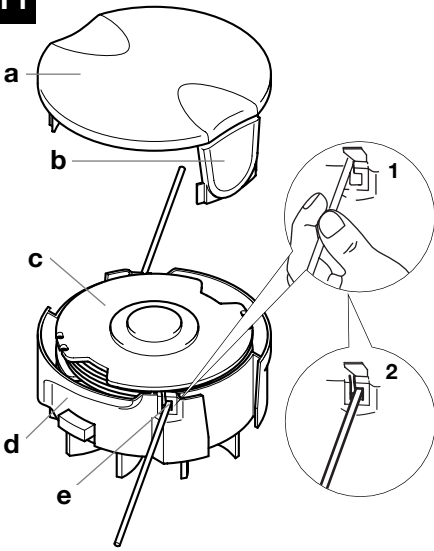
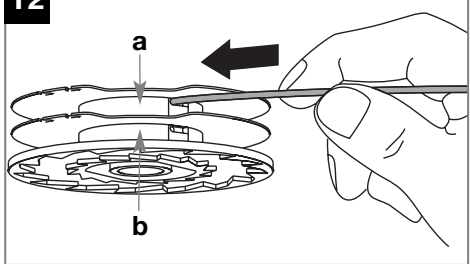
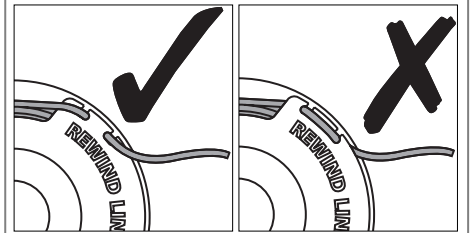
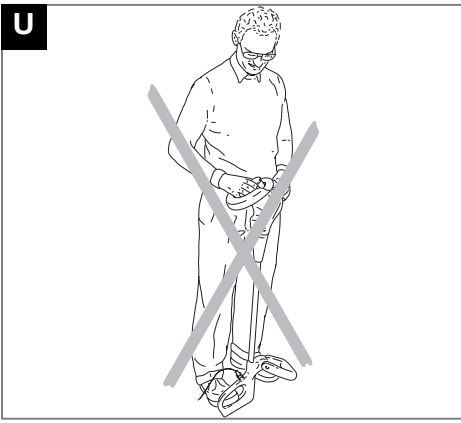
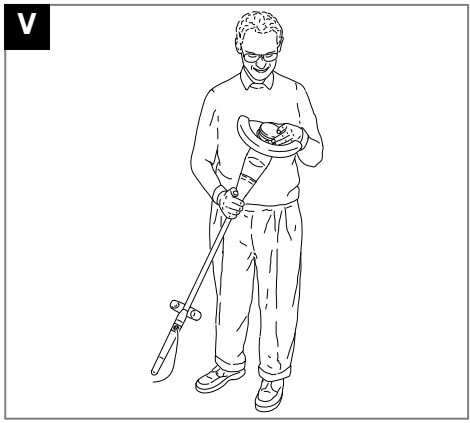
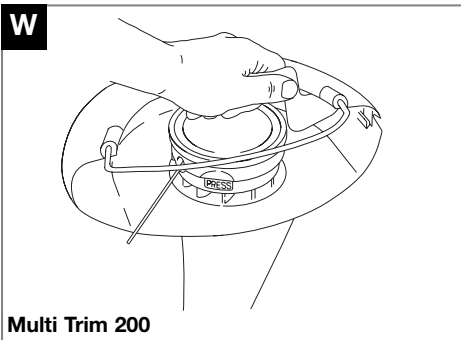
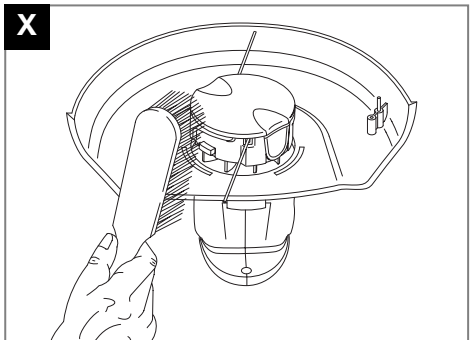
1. Ravnotežno držalo
2. Vijak
3. Krilna matica
4. Matica (če je priložena)
5. Strgalo (Multi Trim 200)
6. Varnostno vodilo
7. Priručnik
8. Opozorilna oznaka
9. Tipna tablica

(GB)	CARTON CONTENTS	(S)	FÖRPACKNINGENS INNEHÅLL	(I)	CONTENUTO
(D)	KARTONINHALT	(DK)	KARTONINDHOLD	(HU)	A DOBOZ TARTALMA
(F)	CONTENU DU CARTON	(E)	CONTENIDO DEL CARTON	(PL)	ZAWARTOŚĆ KARTONU
(NL)	INHOUD	(P)	LEGENDAS DOS DESENHOS	(CZ)	OBSAH KRABICE
(N)	KARTONGEN INNEHOLDER			(SK)	OBSAH BALENIA
(SF)	PAKETIN SISÄLTÖ			(SL)	VSEBINA ŠKATLE







**T1****T2****T3****U****V****W****X****Multi Trim 200**

## SAFETY PRECAUTIONS



**Please note: This manual covers various products. Please read the user instructions carefully to fully identify, assemble and use the features that apply to your trimmer.**

If not used properly this trimmer can be dangerous! This trimmer can cause serious injury to the operator and others, the warnings and safety instructions must be followed to ensure reasonable safety and efficiency in using this trimmer. The operator is responsible for following the warning and safety instructions in this manual and on the trimmer.

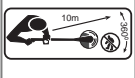
### Explanation of Symbols on the Multi Trim



Warning



Read the user instructions carefully to make sure you understand all the controls and what they do.



Keep others, including children, pets and bystanders outside the 10 metre hazard zone. Stop the trimmer immediately if you are approached.



The use of eye protection is recommended to protect against objects thrown by the cutting line.



To avoid the possibility of electric shock, do not use in damp or wet conditions.



Switch off! Remove plug from mains before adjusting, cleaning or if cable is entangled or damaged.

### Warning

The cutting line continues to rotate after the machine has been switched off.

### General

1. Never allow children or people unfamiliar with these instructions to use the trimmer. Local regulations may restrict the age of the operator.
2. Only use the trimmer in the manner and for the functions described in these instructions.
3. Never operate the trimmer when you are tired, ill or under the influence of alcohol, drugs or medicine.
4. The operator or user is responsible for accidents or hazards occurring to other people or their property.

### Electrical

1. The use of a Residual Current Device (R.C.D.) with a tripping current of not more than 30mA is recommended. Even with a R.C.D. installed 100% safety cannot be guaranteed and safe working practice must be followed at all times. Check your R.C.D. every time you use it.
2. Before use, examine cable for damage, replace it if there are signs of damage or ageing.
3. Do not use the trimmer if the electric cables are damaged or worn.
4. Immediately disconnect from the mains electricity supply if the cable is cut, or the insulation is damaged. Do not touch the electric cable until the electrical supply has been disconnected. Do not repair a cut or damaged cable. Replace it with a new one.
5. Your extension cable must be uncoiled, coiled cables can overheat and reduce the efficiency of your trimmer.

6. Keep the cable clear of the cutting area and obstacles at all times.
7. Do not pull cable around sharp objects.
8. Always switch off at the mains before disconnecting any plug, cable connector or extension cable.
9. Switch off, remove plug from mains and examine electric supply cable for damage or ageing **before** winding cable for storage. Do not repair a damaged cable, replace it with a new one. Use only Flymo replacement cable.
10. Always wind cable carefully, avoiding kinking.
11. Use only on AC mains supply voltage shown on the product rating label.
12. Flymo trimmers are double insulated to EN60335. Under no circumstance should an earth be connected to any part of the trimmer.
13. Never carry the trimmer by the cable.
14. Never pull on the cable to disconnect any of the plugs.

### Cables

Use only 1.00mm<sup>2</sup> size cable up to 30 metres length maximum.

#### Maximum rating:

1.00mm<sup>2</sup> size cable 10 amps 250 volts AC

1. Mains cables and extensions are available from your local Electrolux Outdoor Products Approved Service Centre.
2. Only use extension cables specifically designed for outdoor use.

### Preparation

1. While using your product always wear substantial footwear and long trousers.
2. Before using the machine and after any impact, check for signs of wear or damage and repair as necessary
3. Inspect the area to be cut before each use. Remove all objects such as stones, broken glass, nails, wire, string etc, which can be thrown or become entangled in the trimmer head.
4. Check that the cutting head, spool and cap are fitted correctly.

### Use

**AVOID ACCIDENTAL STARTING. REMOVE PLUG FROM MAINS AND KEEP FEET AWAY FROM THE SWITCH LEVER WHEN:- CLEANING AROUND THE INSIDE OF THE SAFETY GUARD, REMOVING OR REFITTING SPOOL CAP, MANUALLY FEEDING OR REPLACING NYLON LINE.**

1. Use the trimmer only in daylight or good artificial light.
2. Avoid operating your trimmer in wet grass, where feasible.
3. Take care in wet grass, you may lose your footing. Walk, never run.
4. On slopes, be extra careful of your footing and wear non-slip footwear.
5. Do not walk backwards when trimming, you could trip.
6. Keep cutting head below waist level.
7. Switch off before pushing the trimmer over surfaces other than grass.
8. Never operate the trimmer with damaged guards or without guards in place.
9. Never fit metal cutting elements.
10. Keep hands and feet away from the cutting means at all times and especially when switching on the motor.

## SAFETY PRECAUTIONS

11. Never pick up or carry a trimmer by the cable.
12. Do not lean over the trimmer guard - objects may be thrown by the cutting line.
13. Remove the plug from the mains :
  - before leaving the trimmer unattended for any period;
  - before clearing a blockage;
  - before checking, cleaning or working on the appliance;
  - if you hit an object. Do not use your trimmer until you are sure that the entire trimmer is in a safe operating condition.;
  - if the trimmer starts to vibrate abnormally. Check immediately. Excessive vibration can cause injury.

### Maintenance and storage

1. Keep all nuts, bolts and screws tight to be sure the trimmer is in safe working condition.
2. Replace worn or damaged parts for safety.
3. Only use the replacement cutting line specified for this product.
4. Only use replacement parts and accessories recommended by Electrolux Outdoor Products.
5. To avoid the risk of injury keep fingers and hands clear of the line cutter on the leading edge of the guard.
6. Inspect and maintain the trimmer regularly. Any repairs must be carried out by an authorised repairer.

## ASSEMBLY INSTRUCTIONS

### Safety Guard Assembly (A), (B) & (C)

- If you have a Multi Trim 200 your safety guard will be fitted with a wire guard as shown in figure J2.
1. Align the arrow on the top of the safety guard (A1) with the arrow on the side of the trimmer (A2).
  2. Locate the safety guard (A3) over the cutting head (A4). Ensure the nylon line is fed through the hole in the safety guard as illustrated in fig A.  
**Please note: Depending on which model you have purchased, your trimmer may be fitted with one line or two lines.**
  3. Push into location and turn safety guard in the direction illustrated in Fig B, until a click is heard and the safety guard is securely locked in position.
- **ENSURE THE SAFETY GUARD IS SECURELY IN PLACE BY ATTEMPTING TO TWIST GUARD (fig C).**

### Steady Handle Assembly (D), (E) & (F)

#### D1 - Bolt, D2 - Handle Knob, D3 - Nut (if applicable)

1. Insert the nut into the handle knob. (if applicable)
2. Attach steady handle to product using bolt and handle knob as shown in Fig D.
3. To adjust steady handle to new position, loosen handle knob as shown in Fig E, and move handle to one of the three positions as shown in Fig F.
4. Re-tighten handle knob

### Height Adjustment (if fitted)

#### G1 - Height Adjust Knob

#### If your trimmer is fitted with Height Adjust, follow the procedure below.

1. Loosen the height adjust knob. (fig G)
2. Adjust length of the handle to the most comfortable operating position (fig H).
3. Re-tighten the height adjust knob.

## AUTO LINE FEED SYSTEM

**J1-a - Line Cutter, J2-a - Line Cutter, J2-b - Wire Guard**  
If you have a Multi Trim 200, it will be fitted with a wire guard as shown in figure J2. The wire guard is not shown throughout the remaining instructions.  
**How the automatic line feed works (J). Please note: Depending on which model you have purchased, your trimmer may be fitted with one line or two lines.**

1. When initially switching on the trimmer, a small length of line is fed out.
2. A 'clattering' noise will be heard when the nylon line hits the line cutter. **DO NOT BE ALARMED this is quite normal.** After approximately 5 seconds the line will be cut to the correct length and the noise will reduce as the motor reaches full speed.

- **Make sure the motor is up to full speed before trimming or edging.**
3. If the noise of the nylon line being cut cannot be heard, more line will need to be fed out.
  4. To feed more line, it is first necessary to allow the motor to stop completely, then re-start, allowing the motor to reach full speed.
  5. Repeat step 4. until you hear the line hitting against the cutter. (Do not repeat this procedure more than 6 times)
  6. If problems are experienced with the automatic line feed refer to Fault Finding Chart on page 3.

## HOW TO TRIM AND EDGE

### WARNING

The use of eye protection is recommended. Do not lean over the trimmer whilst trimming or edging, objects may be thrown by the cutting line. Do not allow cutting head to rest on the ground. Do not overload your trimmer. Overloading can be avoided by making sure the motor speed does not drop unduly. Disconnect from the mains electricity supply before attempting any maintenance or adjustment.

### BEFORE USE

Make sure that the line is fed out (if 2 lines are fitted, make sure both are fed out). Make sure motor is up to full speed before trimming or edging.  
**How to trim**

1. Hold as illustrated in Fig K.
2. To start, squeeze the switch lever.
3. Cut with nylon line at an angle using the tip. See Fig L
4. Swing trimmer in and out of the cutting area taking small cuts (M)
5. Line is fed out automatically every time the trimmer head stops rotating and returns to operating speed.

- Extra line can be fed out manually as described on page 3.
6. To stop your trimmer release the switch lever.

### How to edge

1. To convert to edging mode, depress locking button and twist head anti-clockwise until arrow lines up with "EDGE". An audible "click" will confirm that the head is locked. Ensure the button has returned to its original position. See Fig N.
2. Hold as illustrated in Fig K.
3. To start, squeeze the switch lever.
4. Rest edger on roller/skid plate for extra stability and line up with edge of lawn, see fig O. Edge in direction indicated in Fig P so that debris is thrown away from you.
5. To return to trimming mode, depress locking button and twist head clockwise until arrow lines up with "TRIM" An audible "click" will confirm that the head is locked. See Fig Q. Ensure the button has returned to its original position.

**Please note: Depending on which model you have purchased, your trimmer may be fitted with a roller or a skid plate.**



## FAULT FINDING CHART

**WARNING** Disconnect from the mains electricity supply before attempting any maintenance or adjustment.

FAULT	CHECK		ACTION
<b>LINE NOT FEEDING OR LINE TOO SHORT OR TRIMMER VIBRATES</b>	Is the automatic line feed working?	<b>No</b>	Manually feed out line. <b>SEE "MANUAL LINE FEED"</b>
	Is line fed out and visible? (Check for both lines if 2 lines are fitted)	<b>No</b>	Remove cap and spool, free line and re-fit spool and cap. <b>SEE "SPOOL CAP AND NYLON LINE"</b>
	Is the manual line feed working?	<b>No</b>	The line may be jammed on the spool. Rewind line to remove crossed loops. (Check that line is in correct section of spool if 2 lines are fitted)
<b>CONTINUOUS CLATTERING NOISE</b>	Has the motor reached full speed before use?	<b>No</b>	Allow the motor to reach full speed before use
	Has too much line been fed out?	<b>Yes</b>	<b>SEE "MANUAL LINE FEED"</b>
	Is the line cutter missing from the safety guard?	<b>Yes</b>	<b>Contact your local approved Service Centre or Electrolux Outdoor Products Customer Service.</b>
<b>LINE SNAPS CONTINUOUSLY</b>	Are you using the trimmer correctly?	<b>?</b>	Only use tip of nylon line to trim. <b>SEE "How to trim and edge"</b>
	Is the line jamming on the spool?	<b>Yes</b>	Rewind the line on the spool, if symptoms still persist, change spool and line.
<b>IF NONE OF THE ABOVE OR IF FAULT PERSISTS</b>	<b>Contact Electrolux Outdoor Products Customer Service Telephone : 01325 300303</b>		

### MANUAL LINE FEED

**To manually feed the nylon line (R)**  
Please note: Depending on which model you have purchased, your trimmer may be fitted with one line or two lines.

**R1-a - Manual Line Feed Button**

**R2-a - Manual Line Feed Button**

1. If required line can be fed out manually.
2. To operate, press and release manual line feed button, whilst gently pulling on the line until it

reaches the line cutter. (If 2 lines are fitted do this to one line only, then gently pull on the second line, there is no need to press the manual line feed button again).

3. If the line extends past the line cutter, too much line has been fed out.
4. If too much line is fed out, remove the spool cap and click spool anti-clockwise until the line is at the desired length.

### SPOOL CAP AND NYLON LINE (1 LINE) - S

**S1-a - Cap Release Latches, S2-a - Cap, S2-b - Spool, S2-c - Spoolholder, S2-d - Eyelet, S2-e - Manual Line Feed Button, S3-a - Eyelet, S4-a - Hole in Spool, S4-b - Line**

**To remove spool cap**

1. Press and hold in the two cap release latches. See fig S1.
2. Pull cap away from the spoolholder. See fig S2.

**When refitting the spool cap**

1. Keep all areas of the cap and spoolholder clean. Failure to do so may prevent the cap being securely located in the spoolholder.
2. Align the two latches on the cap with the two windows in the spoolholder, then press down into the locked position.
3. Ensure the two cap release latches are clearly visible and are fully engaged with the windows in the spoolholder.
4. Check that the cap is correctly fitted by trying to remove it without depressing the two latches.

**To replace nylon line.** Replacement nylon line is available from most Electrolux Outdoor Products stockists. You can buy it either as spool and line complete, or as nylon line only.

**To replace spool and line (complete)**

1. Unwind approximately 100mm of line and feed this through eyelet, see fig S3, then drop the spool into spoolholder smooth side uppermost.

**To replace nylon line on spool.**

1. Take line and insert into hole in spool.
2. Turn spool clockwise to wind on required amount of line, (approx. half = 10m) and cut line to length, see fig S4. Care should be taken to ensure that the line is neatly coiled on the spool. Failure to do so will impair the efficiency of the automatic line feed.
3. Leave approximately 100mm of line unwound and feed this through eyelet, see fig S3, then drop the spool into the spoolholder smooth side uppermost.
  - **Ensure spool is fully located by gently rotating it during fitment.**
  - **Remember! Your Flymo Multi-Trim is designed to use only nylon line with a maximum diameter of 1.5mm. Use only genuine Flymo nylon line.**

## SPOOL CAP AND NYLON LINE (2 LINES) - T

**T1-a - Cap, T1-b - Cap Release Latch, T1-c - Spool, T1-d - Spoolholder, T1-e - Slot, T2-a - Upper Section, T2-b - Lower Section**

### To remove spool cap

1. Press and hold in the two cap release latches. (T1).
2. **Pull** cap away from the spoolholder. (T1).

### When refitting the spool cap

1. Keep all areas of the cap and spoolholder clean. Failure to do so may prevent the cap being securely located in the spoolholder.
2. Replace the cap, **pressing firmly DOWN** towards the spoolholder to ensure cap is fully located.
3. Check that the cap is correctly fitted by trying to remove it without depressing the two latches.

### To replace nylon line.

For your convenience it is recommended you buy spool and line complete. Nylon line only is also available. Both are available from Electrolux Outdoor Products stockists.

### To fit spool and line complete:

1. Remove the cap.
2. Remove old spool.
3. Place spool into spoolholder.
4. Release line from cleat (if 2 lines are fitted release only one line).
5. Secure line into slot (T1).

6. Repeat for second line.
  - **Ensure spool is fully located by gently rotating it during fitment, whilst keeping the spoolholder steady.**

7. Refit the cap.

### To fit nylon line only:

- **Remember!** Your Flymo Trimmer is designed to use only nylon line with a maximum diameter of 1.5mm. Use only genuine Flymo nylon line.

### 1. IF YOU HAVE TWO LINES FITTED IMPORTANT - If your trimmer has 2 lines fitted always wind the line onto the upper section of the spool first.

- Take approximately 5 metres of line. Insert 15mm of line into one of the holes in the upper section of the spool (T2) and wind line in the direction of the arrows on the top of the spool. Leave approximately 100mm of line unwound and place into cleat as illustrated in figure T3. Repeat on lower section of spool.
2. Care should be taken to ensure that the line is neatly coiled on the spool. Failure to do so will impair the efficiency of the automatic line feed.
  3. Then fit spool as described in 'To fit spool and line complete', section above.

## CARING FOR YOUR MULTI TRIM

After you have finished using your Flymo Multi-Trim follow the procedure below:

- **AVOID ACCIDENTAL STARTING. REMOVE PLUG FROM MAINS AND KEEP FEET AWAY FROM THE SWITCH LEVER WHEN- CLEANING AROUND THE INSIDE OF THE SAFETY GUARD, REMOVING OR REFITTING SPOOL CAP, MANUALLY FEEDING OR REPLACING NYLON LINE. (SEE FIGS U & V)**
1. **Disconnect from the mains electricity supply.**
  2. Never clean your trimmer with water, cleaning fluids, or solvents, just remove debris with a suitable tool, a soft brush or dry cloth.

3. Using the scraper provided (Multi Trim 200), clean around the inside of the safety guard to remove any grass and debris. (Fig W).
4. Using a soft brush, clean around the inside of the safety guard, the cutting head and the motor housing. (Fig X).
5. Inspect the trimmer carefully, especially the parts of the cutting head.
6. If your trimmer is damaged in any way contact your local Electrolux Outdoor Products approved service centre.
  - **Never use a damaged trimmer.**
7. Wind cable carefully to avoid kinking.
8. Store in a cool, dry place and out of reach of children.

## ENVIRONMENTAL INFORMATION

Electrolux Outdoor Products are manufactured under an Environmental Management System (ISO 14001) using, where practical, components manufactured in the most environmentally responsible manner, according to company procedures, and with the potential for recycling at the end of the products' life.

- Packaging is recyclable and plastic components have been labelled (where practical) for categorised recycling.
- Awareness of the environment must be considered when disposing of 'end-of-life' product.
- If necessary, contact your local authority for disposal information.

## SERVICE RECOMMENDATIONS

- **Your product is uniquely identified by a silver and black product rating label.**
- **We strongly recommend that your product is serviced at least every twelve months, more often in a professional application.**

## GUARANTEE AND GUARANTEE POLICY

If any part is found to be defective due to faulty manufacture within the guarantee period, Electrolux Outdoor Products, through its Authorised Service Repairers will effect the repair or replacement to the customer free of charge providing:

- (a) The fault is reported directly to the Authorised Repairer.
- (b) Proof of purchase is provided.
- (c) The fault is not caused by misuse, neglect or faulty adjustment by the user.
- (d) The failure has not occurred through fair wear and tear.
- (e) The machine has not been serviced or repaired, taken apart or tampered with by any person not authorised by Electrolux Outdoor Products.
- (f) The machine has not been used for hire.
- (g) The machine is owned by the original purchaser.
- (h) The machine has not been used outside of the country for which it was specified.
- (i) The machine has not been used commercially.
  - \* This guarantee is additional to, and in no way diminishes the customers statutory rights.

Failures due to the following are not covered, therefore it is important that you read the instructions contained in this Operator's Manual and understand how to operate and maintain your machine:

### Failures not covered by guarantee

- \* Replacing Nylon Line.
- \* Failures as a result of not reporting an initial fault.
- \* Failures as a result of sudden impact.
- \* Failures as a result of not using the product in accordance with the instructions and recommendations contained in this Operator's Manual.
- \* Machines used for hire are not covered by this guarantee.
- \* The following items listed are considered as wearing parts and their life is dependent on regular maintenance and are, therefore not normally subject to a valid warranty claim: Nylon Line, Electric Mains cable.
- \* **Caution!** Electrolux Outdoor Products does not accept liability under the warranty for defects caused in whole or part, directly or indirectly by the fitting of replacement parts or additional parts that are not either manufactured or approved by Electrolux Outdoor Products, or by the machine having been modified in any way.

<b>BELGIQUE/BELGIË</b>	Flymo Belgique/België Tel: 02 363 0311, Fax: 02 363 0391
<b>ČESKÁ REPUBLIKA</b>	Electrolux, spol. s.r.o., oz Electrolux Outdoor Products, Na Křečku 365, Praha 10 - Horní Měcholupy. Tel: 02/7847 0164, Info-linka: 0800/110 220 Internet: www.partner-flymo.cz E-mail: info@husqvarna.cz
<b>DANMARK</b>	Electrolux Outdoor Products, Flymo/Partner A/S, Lundtoftegaardsvej 93A, DK 2800 Kgs.Lyngby Tel: 45 87 75 77, Fax: 45 93 33 08, www.flymo-partner.dk
<b>DEUTSCHLAND</b>	Flymo Deutschland Tel: 097 21 7640, Fax:097 21 764202
<b>ESTONIA</b>	Electrolux Estonia Ltd (Electrolux Eesti AS) Tel: (372) 6650010
<b>FRANCE</b>	Flymo France SNC Tel 01 46 67 8141, Fax 01 43 34 2491
<b>FINLAND SUOMI</b>	Electrolux Outdoor Products Finland Tel: 00 358 9 39611, Fax: 00 358 9 3961 2644
<b>ITALIA</b>	McCulloch Italiana s.r.l. - Via Como 72, 23868 Valmadrera (LECCO) - ITALIA Tel: 800 017829, Fax: 0341 581671
<b>IRELAND</b>	Flymo Ireland Tel: 01 4565222, Fax: 01 4568551
<b>MAGYARORSZÁG</b>	Electrolux Lehel Kft Tel: 00 36 1 251 41 47
<b>NORGE</b>	Flymo/Partner, div. av Electrolux Motor a.s. Tel: 69 10 47 90
<b>NEDERLAND</b>	Flymo Nederland Tel: 0172-468322, Fax: 0172-468219
<b>ÖSTERREICH</b>	Husqvarna-Ges.m.b.H. Nfg. KG, Industriezeile 36, 4010 LINZ, Tel: 0732 770101-0, Fax: 0732 770101-40, email: office@husqvarna.co.at Internet: www.husqvarna.at
<b>POLSKA</b>	Electrolux Poland Sp. z.o.o. Husqvarna, 01-612 Warszawa Myslowicka 10/2 Tel:- (22) 8332949
<b>SLOVENIJA</b>	Husqvarna-Ges.m.b.H. Nfg. KG, Industriezeile 36, 4010 LINZ, Tel: 0732 770101-0, Fax: 0732 770101-40, email: office@husqvarna.co.at Internet: www.husqvarna.at
<b>SLOVENSKA</b>	Electrolux Slovakia s.r.o., Borova Sihot 211, 033 01 Lipt. Hradok Tel: 044 522 14 19, Fax: 044 522 14 18, www.flymo-partner.sk
<b>SCHWEIZ/SUISSE/SUIZZERA</b>	Flymo Schweiz/Suisse/Suizzera Tel 062 889 93 50 / 889 94 25, Fax 062 889 93 60 / 889 94 35
<b>SVERIGE</b>	Electrolux Outdoor Products, Sverige Tel: 036 – 14 67 00, Fax: 036 – 14 60 70
<b>UNITED KINGDOM</b>	Electrolux Outdoor Products United Kingdom Tel: 01325 300303, Fax: 01325 310339

Electrolux Outdoor Products  
Aycliffe Industrial Park  
NEWTON AYCLIFFE  
Co.Durham DL5 6UP  
**ENGLAND**

**Telephone - (00) 44 1325 300303 Fax - (00) 44 1325 310339**

**UK Telephone - 01325 300303 Fax - 01325 310339**

Our policy of continuous improvement means that the specification of products may be altered from time to time without prior notice. Electrolux Outdoor Products manufacture products for a number of well known brands under various registered patents, designs and trademarks in several countries.

© Electrolux Outdoor Products Ltd. Registered Office, Electrolux Works, Oakley Road, Luton LU4 9QQ  
Registered number 974979 England



***The Electrolux Group. The world's No.1 choice.***

The Electrolux Group is the world's largest producer of powered appliances for kitchen, cleaning and outdoor use. More than 55 million Electrolux Group products (such as refrigerators, cookers, washing machines, vacuum cleaners, chain saws and lawn mowers) are sold each year to a value of approx. USD 14 billion in more than 150 countries around the world.



**5119314-02**

Download from [Www.Somanuals.com](http://Www.Somanuals.com). All Manuals Search And Download.

## Free Manuals Download Website

<http://myh66.com>

<http://usermanuals.us>

<http://www.somanuals.com>

<http://www.4manuals.cc>

<http://www.manual-lib.com>

<http://www.404manual.com>

<http://www.luxmanual.com>

<http://aubethermostatmanual.com>

Golf course search by state

<http://golfingnear.com>

Email search by domain

<http://emailbydomain.com>

Auto manuals search

<http://auto.somanuals.com>

TV manuals search

<http://tv.somanuals.com>