



# Microwave Combination Oven

FPMC3085K F

30" Electric



## Signature Features



### Real Stainless Steel

Real stainless steel with a protective coating that reduces fingerprints and smudges so it's easy to clean.



### Fits-More™ Microwave

Extra-large microwave provides 2.0 cubic feet of cooking space.



### PowerPlus™ Preheat

Preheat in less than six minutes.<sup>1</sup>



### PowerPlus™ Convection

You can roast to tender, juicy perfection in less time.

## MICROWAVE

### Performance-Driven Style

- SpaceWise™ Rack
- Effortless™ Reheat
- Sensor Cooking
- 3 Auto Cook Options
- 7 User Preference Options
- Side Controls
- 1,100 Watts

### More Easy-To-Use Features

- Keep Warm Setting
- Auto-Start Heat Sensor
- 2-Level Light (Hi/Low)
- 16" Glass Turntable

### One-Touch Options

- Add-30-Seconds
- Chicken Nuggets
- Pizza Slice
- Baked Potato
- Beverage

### Capacity

2.0 Cu. Ft. Capacity

## WALL OVEN

### Powerful Performance

- Effortless™ Convection Conversion
- PowerPlus™ and Rapid Clean Options
- PowerPlus™ Broil (4,000W)

### Performance-Driven Style

- Pro-Select™ Controls
- Real Stainless Steel
- Even Baking Technology

### SpaceWise™ Design

- SpaceWise™ Half Rack

### One-Touch Options

- Keep Warm
- My Favorite
- Chicken Nuggets
- Pizza
- Add-a-Minute

### More Easy-To-Use Features

- Hidden Bake
- Extra-Large Window with Pro-Tint Finish

Sabbath Mode (Star-K® Certified)

### Capacity

4.2 Cu. Ft. Oven Capacity

### Overall Exterior Dimensions

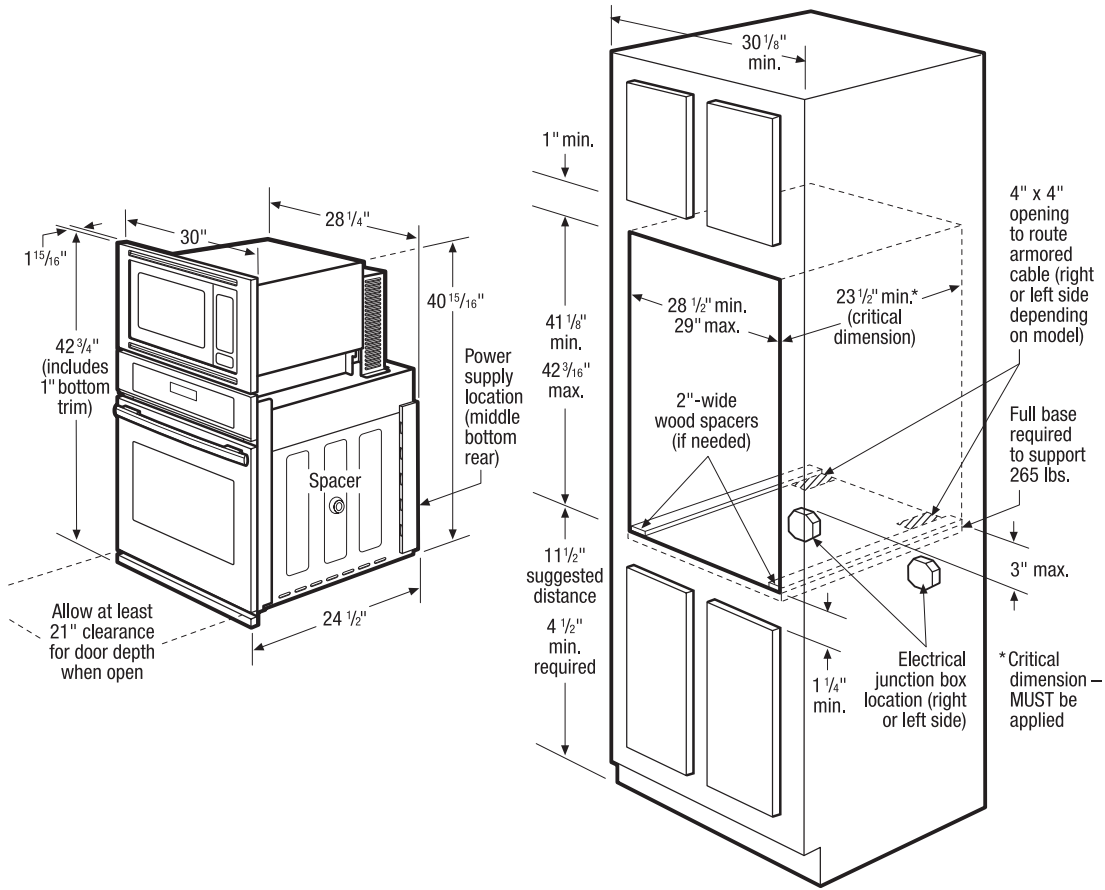
Height	42-3/4"
Width	30"
Depth	24-1/2"

### Available in:



Stainless  
(F)

<sup>1</sup>Based on single rack cooking performance, not set temperature, using PowerPlus™ Preheat.



**Microwave Combination Oven Specifications**

- Product Shipping Weight (approx.) - 250 Lbs.
- Single phase 3- or 4-wire cable, 120/240 or 120/208 Volt, 60 Hertz AC only electrical supply with ground required on separate circuit fused on both sides of line.
- Connected Load (kW Rating) @ 240/208 Volts = 7.4/5.6 kW
- Amps @ 240/208 Volts = 31/27 Amps
- Recommended Circuit Breaker - 30 Amps
- Always consult local and national electric codes.
- Minimum 21" clearance for oven door depth when open.
- Suggested distance from floor is 11-1/2". Minimum required distance is 4-1/2".
- To adapt Microwave Combination Oven to fit cutout height greater than 41-11/16", add one 2"-wide wood shim of appropriate height to each side of opening under oven side rails. Lifting oven will hide larger cutout opening at top and oven's 1"-high bottom trim will hide shims at bottom. (Standard 1"-High Bottom Trim included.)

- To adapt Microwave Combination Oven to fit cutout height greater than 42-3/16", optional 3"-High Bottom Trim available.
- Minimum 23-1/2" deep cutout dimension is critical for proper installation, to ensure that oven's faceplate will fit flush against cabinet front.
- Full oven base of solid plywood or similar material required, capable of supporting 265 Lbs.
- Base must be level and cabinet front must be square.
- Microwave Combination Oven is NOT approved to be used in stackable or side-by-side installation.

**Note:** For planning purposes only. Refer to Product Installation Guide on the web at [frigidaire.com](http://frigidaire.com) for detailed instructions.

**Optional Accessories**

- 3"-High Stainless Steel Bottom Trim - (PN# 318258707).



## Free Manuals Download Website

<http://myh66.com>

<http://usermanuals.us>

<http://www.somanuals.com>

<http://www.4manuals.cc>

<http://www.manual-lib.com>

<http://www.404manual.com>

<http://www.luxmanual.com>

<http://aubethermostatmanual.com>

Golf course search by state

<http://golfingnear.com>

Email search by domain

<http://emailbydomain.com>

Auto manuals search

<http://auto.somanuals.com>

TV manuals search

<http://tv.somanuals.com>