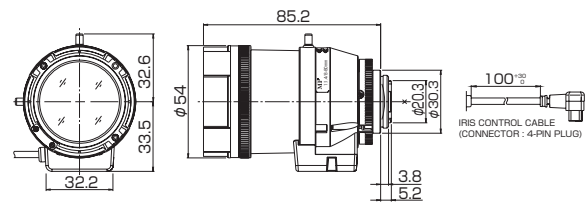
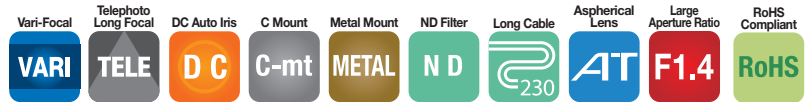


HD Vari-Focal (8-80mm)

DV10×8SA-SA1

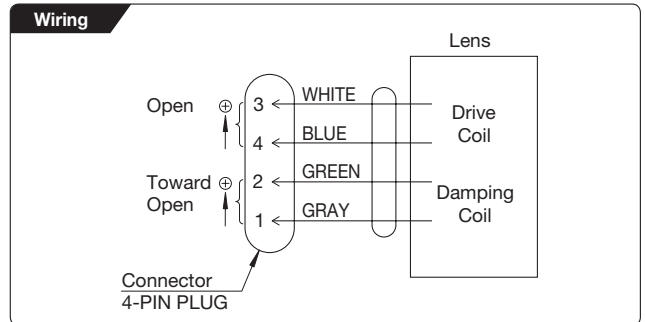
10x Applicable camera (model) 1 2/3 1/2 1/3 1/4 For Security



Unit : mm

DV10×8SA-SA1

Focal Length (mm)		8 - 80 (10x)	
Iris Range		F1.4 - T360(Equivalent to F360)	
Operation	Zoom	Manual	
	Focus	Manual	
	Iris	Auto (DC type) ^{*1}	
Angle Of View (H×V)	1/2"	WIDE	44°21' × 33°25'
		TELE	4°38' × 3°30'
	1/3"	WIDE	33°25' × 25°06'
		TELE	3°30' × 2°38'
	1/4"	WIDE	22°20' × 16°50'
		TELE	2°20' × 1°45'
Angle Of View (H×V) Aspect Ratio 16 : 9	1/2"	WIDE	48°11' × 27°20'
		TELE	2°52' × 5°02'
	1/3"	WIDE	36°22' × 20°31'
		TELE	3°48' × 2°09'
	1/4"	WIDE	24°19' × 13°49'
		TELE	2°33' × 1°26'
Focusing Range (From Front Of The Lens) (m)		∞ - 1.5	
Object Dimensions at M.O.D. (H×V) (mm)	1/2"	WIDE	1247 × 918
		TELE	148 × 111
	1/3"	WIDE	918 × 681
		TELE	111 × 83
	1/4"	WIDE	604 × 453
		TELE	74 × 56
Object Dimensions at M.O.D.(H×V) (mm) Aspect Ratio 16 : 9	1/2"	WIDE	1369 × 744
		TELE	161 × 91
	1/3"	WIDE	1005 × 554
		TELE	121 × 68
	1/4"	WIDE	659 × 371
		TELE	81 × 45
Back Focal Distance (in air) (mm)		15.61	
Exit Pupil Position (From Image Plane) (mm)		491	
Filter Thread (mm)		-	
Mount		C	
Mass (g)		160	
Coil Resistance		Drive Coil 190Ω Damping Coil 1,150Ω	
Current Consumption		23mA(Max.) at DC 4V	
Remarks		<ul style="list-style-type: none"> •With Metal Mount (*1) When power is turned off, iris will automatically close. DV10×8SA-SA1L : Long Cable Type(230mm) 	



[Lens Image]



8mm



80mm

Free Manuals Download Website

<http://myh66.com>

<http://usermanuals.us>

<http://www.somanuals.com>

<http://www.4manuals.cc>

<http://www.manual-lib.com>

<http://www.404manual.com>

<http://www.luxmanual.com>

<http://aubethermostatmanual.com>

Golf course search by state

<http://golfingnear.com>

Email search by domain

<http://emailbydomain.com>

Auto manuals search

<http://auto.somanuals.com>

TV manuals search

<http://tv.somanuals.com>