

Operating and assembly instructions

AH 590-720

Freely Suspended Insular Hood



GAGGENAU

6. Assembly instructions

6.1 Technical data

6.2 Installation

Page 13-19

Page 13

Page 14-19

6. Assembly instructions

6.1 Technical data

Weight without support frame and LK: 35 kg
Weight with support frame and LK: max. 60 kg
Dimensions: 47^{3/16}" x 27^{1/2}" / 1198 x 700 mm

Electrical connection

Pay attention to the rating plate data.

The appliance must only be connected by an **authorised specialist**. The specialist is responsible for perfect functioning of the appliance at its installation location. He must explain the operating principle of the appliance to the user with reference to the operating instructions. He must explain to the user how the appliance can be isolated from the mains whenever required.

Connection possibilities

It must be possible to isolate all poles of the appliance from the mains by way of the domestic fuse, or by means of accessible isolating device with a contact gap of at least 3 mm.

6.2 Installation

WARNING - TO REDUCE THE RISK OF FIRE, ELECTRIC SHOCK, OR INJURY TO PERSONS, OBSERVE THE FOLLOWING:

- a.) Installation work and electrical wiring must be done by qualified person(s) in accordance with all applicable codes and standards, including fire-rated construction.
- b.) Sufficient air is needed for proper combustion and exhausting of gases through the flue (chimney) of fuel burning equipment to prevent back drafting. Follow the heating equipment manufacturer's guideline and safety standards such as those published by the National Fire Protection Association (NFPA), and the American Society for Heating, Refrigeration and Air Conditioning (ASHRAE), and the local code authorities.
- c.) When cutting or drilling into wall or ceiling, do not damage electrical wiring and other hidden utilities.
- d.) Ducted fans must always be vented to the outdoors.
- e.) If this unit is to be installed over a tub or shower, it must be marked as appropriate for the application and be connected to a GFCI (Ground Fault Circuit Interrupter) - protected branch circuit.
- f.) NEVER place a switch where it can be reached from a tub or shower.

WARNING:

To reduce the risk of fire, use only metal ductwork.

The applicable regulations of the energy supply companies and the **regional construction regulations** must be observed when installing the hood.

The minimum distance from the worktop to the bottom edge of the wall hood is for electrical appliances 24"/ 600 mm and for gas appliances 30"/ 762 mm.

The extractor hood was conceived for the **exhaust air mode**. The exhaust air can be routed into a separate exhaust air shaft or directly into the open through the outside wall.

It is not allowed to pass the exhaust air into a flue or exhaust air chimney that is in operation or into a shaft that is linked to the heating basement. Consult the chimney sweep responsible for your district whenever you wish to pass the exhaust air into a chimney that is not in operation.

During the course of planning, a chimney sweep must be consulted if a room air-dependent hearth is operated in the same room as the one in which a hood is operated in the exhaust air mode. Adequate incoming air must be ensured. The applicable construction and safety regulations must be observed.

Adequate incoming air must be ensured if a wood, coal, gas or oil heater or an open hearth is operated in the same room as the one in which the hood is installed.

Safe operation is possible whenever the partial vacuum in the place where the firing equipment is installed does not exceed 4 Pa (0.04 mbar). This can be achieved whenever the air needed for combustion is able to enter through openings that cannot be sealed, for example in doors, windows, incoming/exhaust air wall boxes or by other technical means.

Flexible aluminium pipes, corrosion-protected sheet metal pipes and **exhaust air** pipes whose material conforms to fire B1 in accordance with DIN 4102 can be used. Exhaust air pipes should have a nominal diameter of 6" / 150 mm.

Pay particular attention to ensuring that

- the exhaust air ducts and pipes are kept as short as possible
- the pipes are not laid at an acute angle, but as bends and that they are inserted into the shaft at an inclined upward angle and
- there are no cross-sectional constrictions in the upward direction (this reduces the volume flow).

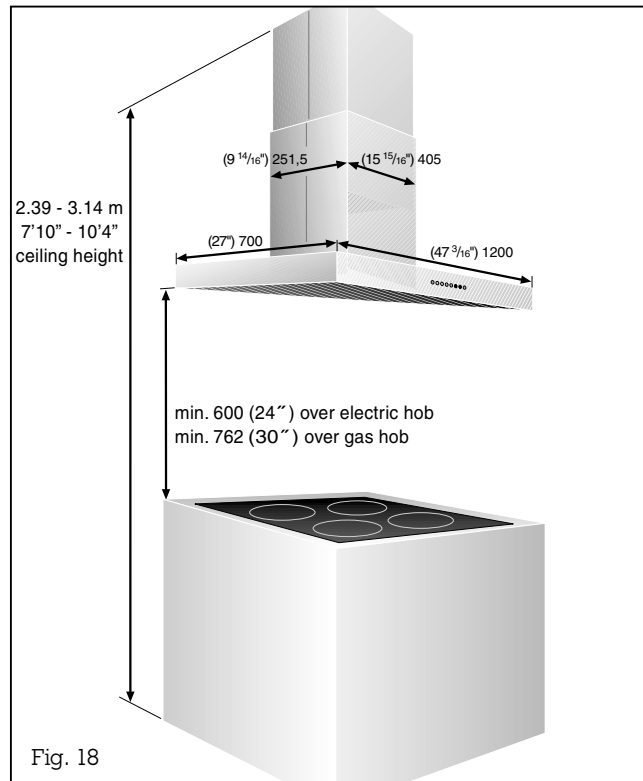


Fig. 18

As **standard**, the blow-out opening of the extractor hood is in the upward direction.

To pass exhaust air through the outer wall, we recommend the use of our telescopic wall box TM 150-045 (Ø 6" / 150 mm).

Note:

to prevent the ingress of water, e.g. condensate or rain water from an uncovered exhaust air shaft, our condensate separator RV 060-150 must be installed in the exhaust air line. The condensate separator must still be accessible after installation.

The duct units listed below are available depending on the height of the ceiling:

Stainless steel-design ventilation duct:

LK 590-010 for ceiling heights of 7' 10" - 8' 8" / 2.39 - 2.64 m

LK 590-020 for ceiling heights of 8' 8" - 9' 6" / 2.64 - 2.89 m

LK 590-030 for ceiling heights of 9' 6" - 10' 4" / 2.89 - 3.14 m

Aluminium-design ventilation duct:

LK 590-011 for ceiling heights of 7' 10" - 8' 8" / 2.39 - 2.64 m

LK 590-021 for ceiling heights of 8' 8" - 9' 6" / 2.64 - 2.89 m

LK 590-031 for ceiling heights of 9' 6" - 10' 4" / 2.89 - 3.14 m

The dimensions above refer to a distance of 5'3" / 1.60 m from the floor to the bottom edge of the hood.

If required, custom made duct units are available at an extra charge.

The power connection must be placed within the ventilation duct on the ceiling.

Installation above gas cooker / gas hob

Installation of the appliance above a gas cooking device must conform to national safety regulations.

A minimum distance of 30"/ 762 mm between the hood and gas appliance must be observed.

Gas appliances may only be used under the extractor hood when pots and pans are placed on them!

Operation above gas cooker / gas hob

During operation the heat load of all hotplates and oven must not exceed **13.5 kW**.

Should the nominal heat loads of all hotplates combined exceed **13.5 kW** (e.g. combination with WOK burner), during operation only a combination of hotplates of max. **13.5 kW** must be used.

Exception:
the nominal heat loads of all hotplates combined to a maximum of **15.4 kW** can be operated for a very short period of time (max. 15 minutes), if the hood is running on a minimum of level 2. Otherwise there is a risk of burns when touching the exterior of the extractor hood.

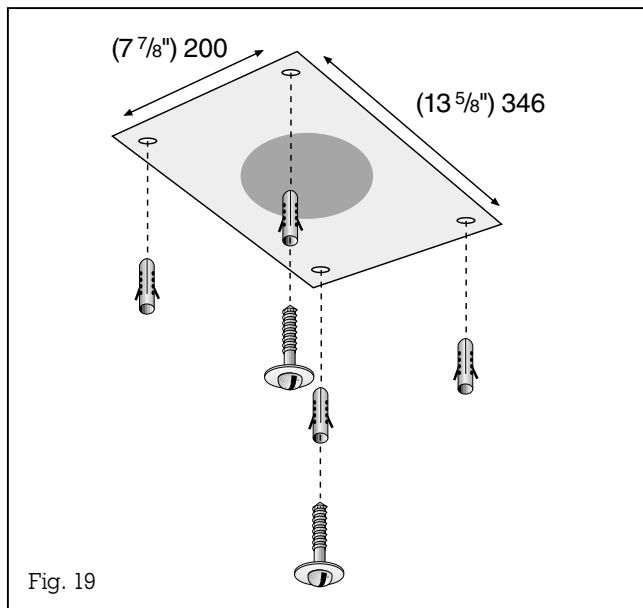


Fig. 19

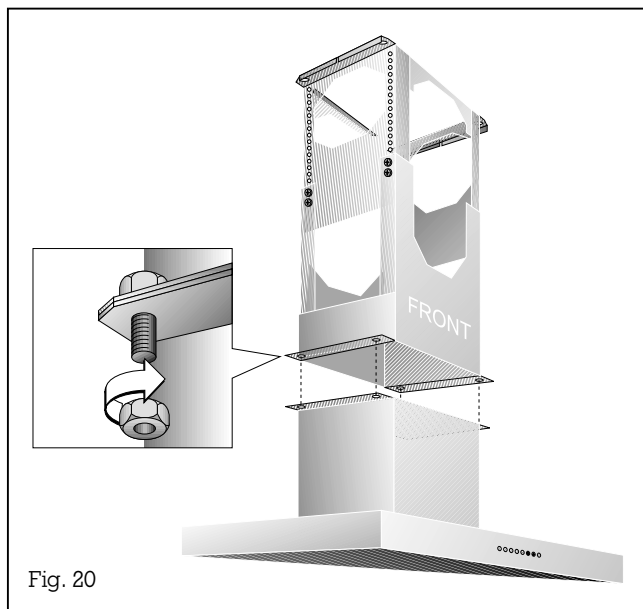


Fig. 20

Note:

the extractor hood is to be installed to a kitchen ceiling or suspended ceiling. Ensure that the ceiling is capable of providing a firm hold for a maximum weight of hood and accessories of 60 kg.

Before marking the securing holes, make sure that no electricity wires or water pipes or other wires/pipes are laid at the drilling points in the ceiling.

Before installation check the enclosed wall plugs and screws are suitable for your ceiling. If necessary use special wall plugs.

Installation:

1. Using the drilling template mark the position of the screws on the ceiling.
2. Drill 4 holes \varnothing 8 mm for the wall plugs. Push the plugs flush with the ceiling (Fig. 19).
3. Turn two screws to a 10 mm gap. Both screws are placed in a position, in which at a later stage of the installation the key-holes of the supporting frame are found (namely front left and back right from the control panel of the hood).
4. Place the hood on a suitable base. Connect the air outlet pipe to the hood.
5. Screw the support frame to the hood with 4 screws. The marking "FRONT" must be on the same side as the control panel (Fig. 20).

Ventilation ducts LK 590-020/030/021/031

only: the enclosed extension module should be mounted on top of the support frame. Follow the above instructions for mounting the support frame and hood.



Fig. 21

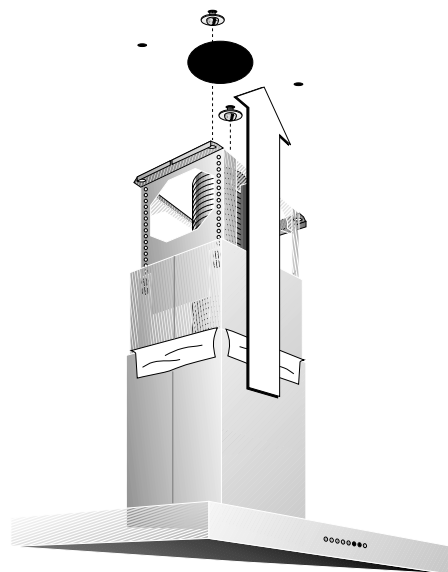


Fig. 22

6. Adjust the support frame to the desired height and secure with 8 screws. The length of the support frame can be adjusted in steps of $\frac{3}{4}$ " / 20 mm from $15\frac{3}{16}$ " / 386 mm to $25\frac{7}{16}$ " / 646 mm (Fig. 21).

Note:

ensure that the minimum distance between the hob and the extractor hood is maintained – 24" / 600 mm for an electric hob and 30" / 762 mm for a gas hob

7. Stainless steel ventilation ducts only (LK 590-010/020/030):
pull the protective film off the metal surface.
8. Place both ventilation ducts over the support frame. Take care not to scratch the sensitive duct surface.
9. Attach the electrical plug to the support frame with sticky tape so that it can be easily reached later.
10. Hang the hood and the support frame with the two key-holes to the two screws in the ceiling (Fig. 22).
Attention: the two screws cannot support the weight of the hood. Therefore it must be supported at this stage!

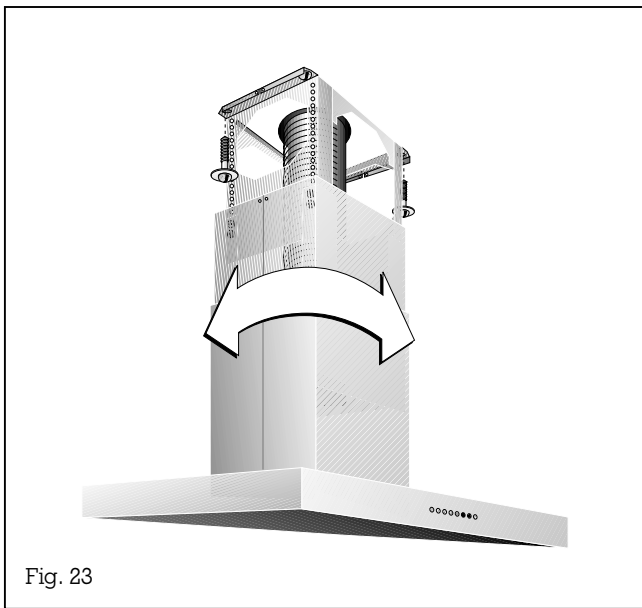


Fig. 23

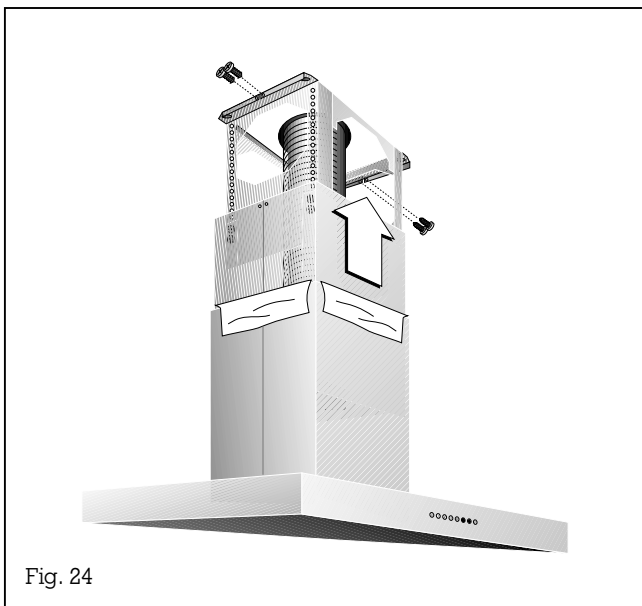


Fig. 24

11. Adjust the hood to the final position and attach it with all 4 screws to the ceiling (Fig. 23).
12. Connect the air outlet pipe.
13. Connect the hood to the electricity supply.
14. Pull the top duct unit up into its final position. Secure the top duct unit with 4 screws on the support frame (Fig. 24).
Note: avoid scratches when pulling the elements apart by placing the assembly template, for example, over the top edge of the bottom duct to protect it.
15. Replace the glass plates with the printed side facing down. Position the glass plates at the chimney side first.
Note: when putting the glass plates in place, make sure that you do not scratch the chimney.
16. Check the appliance functions correctly.

GAGGENAU

GAGGENAU HAUSGERÄTE GMBH
P.O. BOX 10 02 50 · D-80076 MÜNCHEN
GERMANY
☎ (0 89) 45 90-01
FAX (0 89) 45 90-23 47

GAGGENAU

5551 McFADDEN AVENUE
HUNTINGTON BEACH, CA 92649
USA
☎ (800) 828-9165 · FAX (714) 901-0979
www.gaggenau.com/us

Free Manuals Download Website

<http://myh66.com>

<http://usermanuals.us>

<http://www.somanuals.com>

<http://www.4manuals.cc>

<http://www.manual-lib.com>

<http://www.404manual.com>

<http://www.luxmanual.com>

<http://aubethermostatmanual.com>

Golf course search by state

<http://golfingnear.com>

Email search by domain

<http://emailbydomain.com>

Auto manuals search

<http://auto.somanuals.com>

TV manuals search

<http://tv.somanuals.com>