



Vented Range Hoods

Safety Instructions 2, 3

Operating Instructions

Light Controls 4
Vent Controls 4

Care and Cleaning

Grease Filters 5
Hood Lights 6
Hood Surfaces 5
Stainless Steel Surfaces 5

Installation Instructions ... 7-16

Troubleshooting Tips 18

Consumer Support

Consumer Support ... Back Cover
Product Registration 19, 20
Warranty 21

**Owner's Manual and
Installation Instructions**

- PVWS930
- PVWS936
- PVWT936
- PVWG936
- PVIG940

Write the model and serial numbers here:

Model # _____

Serial # _____

You can find them on a label on the inside of the hood.



IMPORTANT SAFETY INFORMATION. READ ALL INSTRUCTIONS BEFORE USING.



SAFETY PRECAUTIONS

WARNING — TO REDUCE THE RISK OF FIRE, ELECTRIC SHOCK OR INJURY TO PERSONS, OBSERVE THE FOLLOWING:

- Use this unit only in the manner intended by the manufacturer. If you have questions, contact the manufacturer.
- Before servicing or cleaning unit, switch power off at service panel and lock the service disconnecting means to prevent power from being switched on accidentally. When the service disconnecting means cannot be locked, securely fasten a prominent warning device, such as a tag, to the service panel.
- Do not use this unit with any solid-state speed control device.
- This unit must be grounded.

CAUTION— For general ventilating use only. Do not use to exhaust hazardous or explosive materials and vapors.

CAUTION— To reduce risk of fire and to properly exhaust air, be sure to duct air outside. Do not vent exhaust air into spaces within walls or ceilings or into attics, crawl spaces, or garages.

WARNING— To reduce the risk of fire or electric shock, DO NOT use this fan with any solid-state speed control device.

WARNING — TO REDUCE THE RISK OF INJURY TO PERSONS IN THE EVENT OF A RANGE TOP GREASE FIRE, OBSERVE THE FOLLOWING*:

- SMOTHER FLAMES with a close-fitting lid, cookie sheet, or metal tray, then turn off the burner. BE CAREFUL TO PREVENT BURNS. If the flames do not go out immediately, EVACUATE AND CALL THE FIRE DEPARTMENT.
- NEVER PICK UP A FLAMING PAN — You may be burned.
- DO NOT USE WATER, including wet dishcloths or towels—a violent steam explosion will result.
- Use an extinguisher ONLY if:
 - You know you have a Class ABC extinguisher, and you already know how to operate it.
 - The fire is small and contained in the area where it started.
 - The fire department is being called.
 - You can fight the fire with your back to an exit.

* Based on "Kitchen Fire Safety Tips" published by NFPA.



SAFETY PRECAUTIONS

WARNING —TO REDUCE THE RISK OF A RANGE TOP GREASE FIRE:

- A. Never leave surface units unattended at high settings. Boilovers cause smoking and greasy spillovers that may ignite. Heat oils slowly on low or medium settings.
- B. Always turn hood ON when cooking at high heat or when cooking flaming foods. (i.e. Crepes Suzette, Cherries Jubilee, Pepper corn Beef Flambé).
- C. Clean ventilating fans frequently. Grease should not be allowed to accumulate on fan or filter.
- D. Use proper pan size. Always use cookware appropriate for the size of the surface element.

WARNING —TO REDUCE THE RISK OF FIRE, ELECTRIC SHOCK OR INJURY TO PERSONS, OBSERVE THE FOLLOWING:

- A. Installation work and electrical wiring must be done by qualified person(s) in accordance with all applicable codes and standards, including fire-rated construction.
- B. Sufficient air is needed for proper combustion and exhausting of gases through the flue (chimney) of fuel burning equipment to prevent back drafting. Follow the heating equipment manufacturer's guideline and safety standards such as those published by the National Fire Protection Association (NFPA), and the American Society for Heating, Refrigeration and Air Conditioning Engineers (ASHRAE), and the local code authorities.
- C. When cutting or drilling into wall or ceiling, do not damage electrical wiring and other hidden utilities.

- D. Ducted fans must always be vented to the outdoors.

WARNING —TO REDUCE THE RISK OF FIRE, USE ONLY METAL DUCTWORK.

- Do not attempt to repair or replace any part of your hood unless it is specifically recommended in this guide. All other servicing should be referred to a qualified technician.

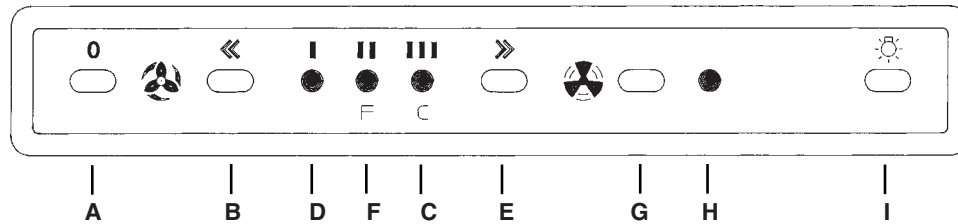


READ AND FOLLOW THIS SAFETY INFORMATION CAREFULLY.

READ AND SAVE THESE INSTRUCTIONS

Using the hood controls.

Throughout this manual, features and appearance may vary from your model.



- A - MOTORSTOP
 - B - SPEED DECREASE
 - D - LED:SPEED 1
 - F - LED: SPEED 2 AND METAL FILTER SATURATION (WHEN FLASHING)
 - C - LED: SPEED 3 AND COAL FILTER SATURATION (WHEN FLASHING)
 - E - MOTOR START AND SPEED INCREASE
 - G - TIMED INTENSIVE SPEED
 - H - LED TIMED INTENSIVE SPEED
 - I - "ON-OFF" LIGHT
- MOTOR OPERATING PERFORMANCE CHECK-UP. WHEN ANY OF THE BUTTONS ARE PRESSED, ALL FOUR LEDS TURN ON TO INDICATE THAT THE FOUR FAN SPEEDS OPERATE PROPERLY. IF ONE OF THE LIGHTS DOES NOT COME ON, IT MEANS THAT THE SPEED CORRESPONDING TO THAT LIGHT DOES NOT WORK.

Control Device Reset

Grease Filters:

After cleaning the grease filters, press buttons (A)-(E) for 2 seconds until you hear the beep and the LED stops flashing.

Coal Filter:

After replacing the cartridge, press both buttons (A)-(B) for 2 seconds until you hear the beep. The LED will stop flashing.

The coal filter saturation is also indicated when the hood is used in vented version.

The hood is provided with a storage device which counts the number of hours of operation and which regulates the lighting up of the coal filter saturation LEDS.

For the correct operation of this device, it is important that the hood be switched off by pressing button (A) before unplugging it for any maintenance work.

Hood Operation

Turn the fan on for approximately 5 minutes before you start cooking in order to create some upwards drafts through the hood.

This causes the heat, smoke, steam, grease and odours produced during cooking to be pushed outwards, thereby preventing them from drifting into other rooms.

Use the low speed settings for normal use and the high speed settings for strong odours or thick smoke.

The presence of drafts in the kitchen or in the hood reduces the efficiency of the hood. These drafts should be avoided wherever possible.

Filters

The metal grease filters are manufactured using anodised aluminium and have an unlimited duration.

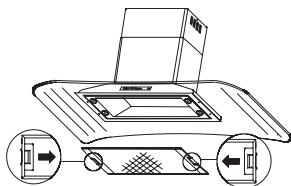


Fig. 1

To remove the metal grease filter/s:

- Unplug the hood from the mains socket.

FOR MODELS PVIG940, PVWG936

- Press the clips towards the centre and remove the filters. Fig. 1.

FOR MODELS PVWS930, PVWS936, PVWT936

- Press the handles and remove the filters. Fig. 2.

To replace the metal grease filter/s:

- Follow the same procedure, but backwards.

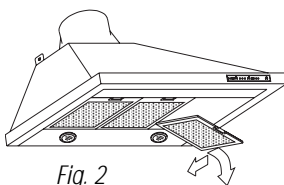


Fig. 2

Care and cleaning of the vent hood.

www.GEAppliances.ca

Be sure electrical power is off and all surfaces are cool before cleaning or servicing any part of the vent hood.
Make sure lamps are cold before cleaning the hood.

To clean the filter/s

We recommend you wash the filters at least once a month, by hand or in the dishwasher. Let the water drip out of the holes on the edges and leave the filters to dry completely before reinstalling them.

To clean the hood surface

For general cleaning operations, rub the external part of the hood made of glass, using soapy water or household cleaning products, rinsing it thoroughly and drying it with a soft dry cloth to avoid marks being left by the water.

Stainless Steel Surfaces

Do not use a steel-wool pad; it will scratch the surface.

- 1 Shake bottle well.
- 2 Place a small amount of CERAMA BRYTE® Stainless Steel Cleaning Polish and Conditioner on a **dry** cloth or **dry** paper towel.
- 3 Clean a small area (approximately 8" x 8" or 20.3 x 20.3 cm), rubbing with the grain of the stainless steel if applicable.
- 4 Dry and buff with a clean, dry paper towel or soft cloth.
- 5 Repeat as necessary.

Safety Instructions

Operating Instructions

Care and Cleaning

Troubleshooting Tips

Consumer Support

Care and cleaning of the vent hood.

Be sure electrical power is off and all surfaces are cool before cleaning or servicing any part of the vent hood.

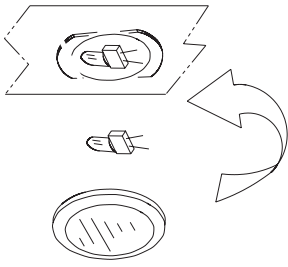


Fig. 3

Replacement of lamps (Models PVWS930, PVWS936, PVWT936, PVWG936, PVIG940)

- 1 Unscrew the lamp diffusers.
- 2 Remove the blown lamp and replace it with a new 20 Watt (max) 12 Volt halogen lamp with a G-4 cap. Follow the instructions given on the lamp box. Do not touch the lamp with your bare hands.
- 3 Place the lamp diffuser back in place.

Installation Instructions

Range Hood

Questions? Call 1-800-561-3344 or Visit our Website at: www.GEAppliances.ca

BEFORE YOU BEGIN

Read these instructions completely and carefully.

- **IMPORTANT** – Save these instructions for local inspector's use.
- **IMPORTANT** – Observe all governing codes and ordinances.
- **Note to Installer** – Be sure to leave these instructions with the Consumer.
- **Note to Consumer** – Keep these instructions for future reference.
- **Skill level** – Installation of this vent hood requires basic mechanical and electrical skills.
- **Completion time** – 1 to 3 hours
- Proper installation is the responsibility of the installer.
- Product failure due to improper installation is not covered under the Warranty.

CAUTION:

Due to the weight and size of these vent hoods and to reduce the risk of personal injury or damage to the product, **TWO PEOPLE ARE REQUIRED FOR PROPER INSTALLATION**

FOR YOUR SAFETY:

WARNING – Before beginning the installation, switch power off at service panel and lock the service disconnecting means to prevent power from being switched on accidentally. When the service disconnecting means cannot be locked, securely fasten a prominent warning device, such as a tag, to the service panel.

WARNING: - TO REDUCE THE RISK OF FIRE, ELECTRIC SHOCK OR INJURY TO PERSONS, OBSERVE THE FOLLOWING:

A. Installation work and electrical wiring must be done by qualified person(s) in accordance with all applicable codes and standards, including fire-rated construction.

B. Sufficient air is needed for proper combustion and exhausting of gases through the flue (chimney) of fuel burning equipment to prevent back drafting. Follow the heating equipment manufacturers guideline and safety standards such as those published by the National Fire Protection Association (NFPA), and the American Society for Heating, refrigeration and Air Conditioning Engineers (ASHRAE), and the local code authorities.

C. When cutting or drilling into wall or ceiling do not damage electrical wiring and other hidden utilities.

D. Ducted fans must always be vented to the outdoors.

WARNING: - TO REDUCE THE RISK OF FIRE, OF FIER, USE ONLY METAL DUCTWORK.

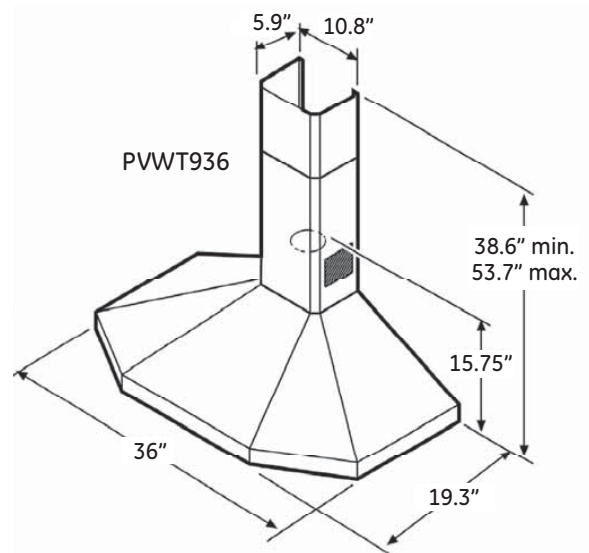
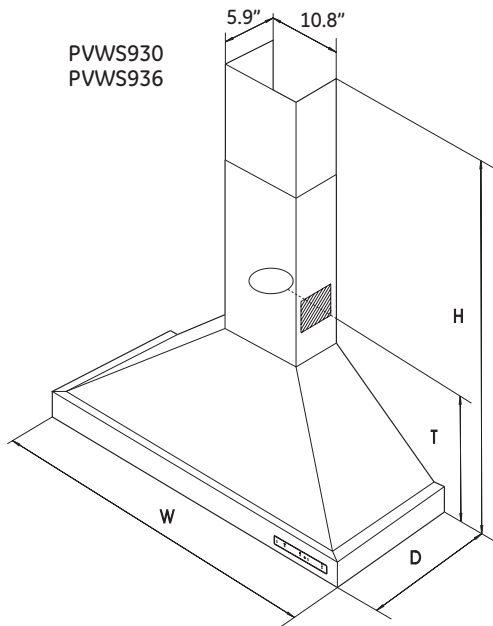
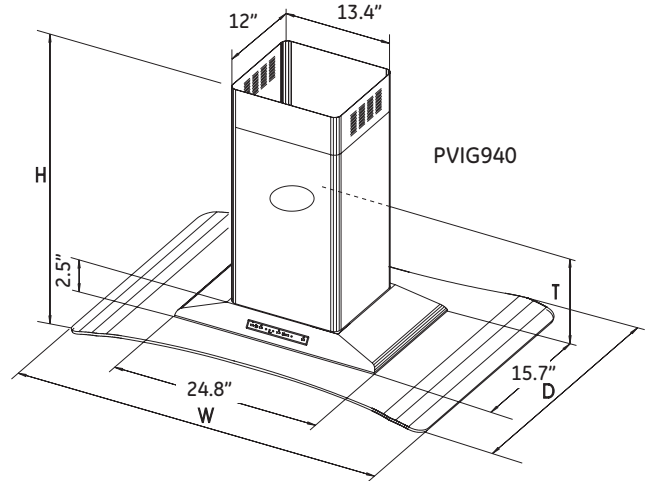
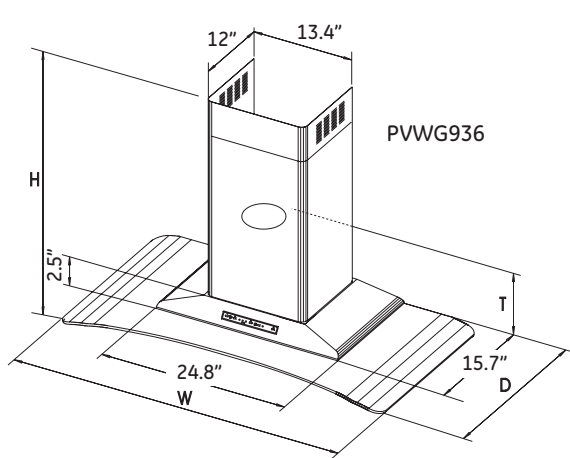
■ Do not attempt to repair or replace any part of your hood unless it is specifically recommended in this guide. All other servicing should be referred to a qualified technician.

CAUTION: - TO REDUCE THE RISK OF FIRE AND TO PROPERLY EXHAUST AIR.

■ Be sure to duct air outside- Do not vent exhaust air into spaces within walls or ceilings or into attics, crawl spaces, or garages.

Installation Instructions

PRODUCT DIMENSIONS



| MODEL | W | D | H | T |
|-------------|-----------------|-------|---------------|--------|
| PVWS930/936 | 30" - 36" | 19.3 | 33" - 45.3" | 15.75" |
| PVWT936 | 36" | 19.3 | 38.6" - 53.7" | 15.75" |
| PVWG936 | 36" - 42" - 48" | 19.7" | 33.4" | 17.7" |
| PVIG940 | 39.4" | 27.5" | 33.4" - 48" | 17.7" |

1 Ft = 0.3 m
1" = 2.5 cm

Installation Instructions

DUCT FITTINGS

Use this chart to compute maximum permissible lengths for duct runs to outdoors.

Note: Do not exceed maximum permissible equivalent lengths!

Maximum duct length:
100 foot for vent hoods.

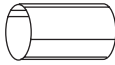


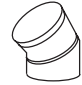
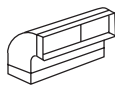
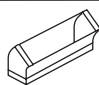
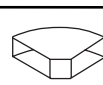
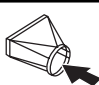



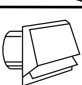
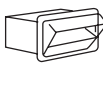

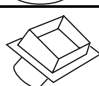
Flexible ducting:

If flexible metal ducting is used, all the equivalent feet values in the table should be doubled. The flexible metal duct should be straight and smooth and extended as much as possible.

Do NOT use flexible ducting.

Note: Any home ventilation system, such as a ventilation hood, may interrupt the proper flow of combustion air and exhaust required by fireplaces, gas furnaces, gas water heaters and other naturally vented systems. To minimize the chance of interruption of such naturally vented systems, follow the heating equipment manufacturer's guidelines and safety standards such as those published by NFPA and ASHRAE.

Using a smaller diameter duct size will reduce performance

| Duct Piece | Dimensions | Equivalent Length* | Quantity Used | Total Equivalent Length |
|---|---|-------------------------|---------------|-------------------------|
|  | Round, straight | 1 ft. (per foot length) | | |
|  | 3 1/4" x 12" straight | 1 ft. (per foot length) | | |
|  | 90° elbow | 8 ft. | | |
|  | 45° elbow | 6 ft. | | |
|  | 3 1/4" x 12" or 90° elbow | 15 ft. | | |
|  | 3 1/4" x 12" or 45° elbow | 9 ft. | | |
|  | 3 1/4" x 12" or 90° flat elbow | 20 ft. | | |
|  | 7" round to 3 1/4" x 12" transition | 1 ft. | | |
|  | 3 1/4" x 12" to 7" round transition | 5 ft. | | |
|  | 7" round to 3 1/4" x 12" transition 90° elbow | 5 ft. | | |
|  | 3 1/4" x 12" to 7" round transition 90° elbow | 15 ft. | | |
|  | Round wall cap with damper | 30 ft. | | |
|  | 3 1/4" x 12" wall cap with damper | 30 ft. | | |
|  | 7" round roof cap | 30 ft. | | |
|  | Round roof vent | 24 ft. | | |

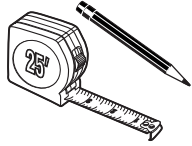
*Actual length of straight duct plus duct fitting equivalent. Equivalent length of duct pieces are based on actual tests conducted by GE Evaluation Engineering and reflect requirements for good venting performance with any ventilation hood.

Total Duct Run _____

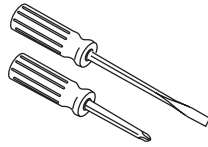
1 Ft = 0.3 m
1" = 2.5 cm

Installation Instructions

TOOLS AND MATERIALS REQUIRED (NOT SUPPLIED)



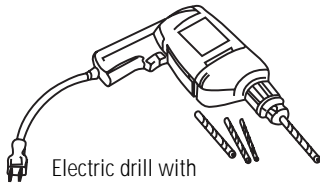
Pencil and
tape measure



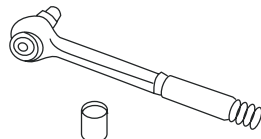
Phillips and
Flat blade screwdrivers



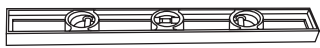
Duct tape



Electric drill with
1/8" and 3/8" bits



1/4" pivoting hex socket



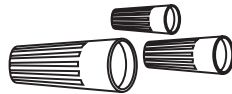
Spirit level



Safety glasses



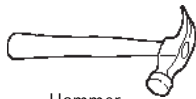
Flashlight



cUL Listed Wire nuts



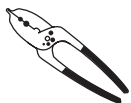
Pliers



Hammer



Metal snips



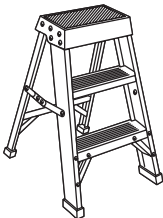
Wire Cutter/Stripper



Saber saw or Key Hole Saw



Allen Wrench



Ladder

Additional Materials:

- 120V 60Hz. 15 or 20 Amp, 2 wire with ground. Properly grounded branch circuit.
- Strain relief for junction box.
- 7" round metal duct or 3/4" x 12" rectangular duct, length to suit installation.

OPTIONAL ACCESSORIES

- Kit 01235 Model PVIG940
Chimney + Structure 84 - 121.5 cm
(Venting)
- Kit 01237 Model PVWG936
Chimney 51.5 cm
- Kit 01238 Model PVWT936
Chimney 70 - 140 cm (Venting)
- Kit 01239 Models PVWS930/936
Chimney 92.5 - 132 cm (Venting)

Ductless Recirculating Kit

- Kit 01378 Models PVWS930/936, PVWT936
Carbon Filter + Filtrating Deflector:
Changes Hood from Venting to
Filtrating
- Kit 01379 Model PVWIG940
Carbon Filter + Filtrating Deflector +
RUA: Changes Hood from Venting to
Filtrating

PARTS PROVIDED

MODELS PVWS930, PVWS936 AND PVWT936

- Hood canopy with internal blower, grease filters and lights already installed
- Duct covers
- Duct Cover support bracket
- Transition (may be already installed)
- Hardware Packet:

Note: the hardware packet contains several fittings material. For models PVWS930, PVWS936 and PVWT936, consider what is listed below ONLY:

- Hook with leveling screws x 2
- Template
- Use, Care and Installation Guide
- 10 x 60 drywall anchors x 2 (To attach duct cover support bracket)
- 6 x 80 screws x 8 + washers x 8 (2 To attach duct cover support bracket + 6 to attach the hood canopy)
- 3,5 x 9,5 screws x 6 (2 to attach the transition + 4 to attach the duct cover)

1 Ft = 0.3 m
1" = 2.5 cm

Installation Instructions

PARTS PROVIDED - Continued

MODEL PVWG936

- Hood canopy with internal blower, grease filters and lights already installed
- Glass vapour catcher
- Duct covers
- Duct Cover support bracket
- Transition (may be already installed)
- Hardware Packet:

Note: the hardware packet contains several fittings material. For model PVWG936, consider what is listed below ONLY:

- Allen Wrench
- Lower support bracket x 2 (to attach the hood canopy)
- Rubber tape (for glass vapour catcher)
- Bushes x 4 (for glass vapour catcher)
- 6 x 20 screws x 4 (for glass vapour catcher)
- Template
- Use, Care and Installation Guide
- 10 x 60 drywall anchors x 2 (To attach duct cover support bracket)
- 6 x 80 screws x 6 + washers x 6 (2 To attach duct cover support bracket + 4 to attach the hood canopy)
- 3,5 x 9,5 screws x 14 (2 to attach the transition + 4 to attach the duct cover + 8 to attach the lower support brackets)

MODEL PVIG940

- Hood canopy with internal blower, grease filter and lights already installed
- Glass vapour catcher
- Duct covers
- Chimney structure
- Transition (may be already installed)
- Use, Care and Installation Guide
- Hardware Packet:

Note: the hardware packet contains several fittings material. For model PVIG940, consider what is listed below ONLY:

- Allen Wrench
- Rubber tape (for glass vapour catcher)
- Bushes x 4 (for glass vapour catcher)
- 6 x 20 screws x 4 (for glass vapour catcher)
- Template
- 6 x 80 screws x 4 + washers x 4 (To attach the chimney structure to the ceiling)
- 3,5 x 9,5 screws x 16 (8 to assemble the structure + 4 to attach the duct covers + 2 to attach the transition + 2 to attach the junction cover (may be already installed))
- 8 x 16 screws x 4 (to attach the canopy to the structure).

1 Ft = 0.3 m
1" = 2.5 cm

DUCTING OPTIONS AND EXAMPLES

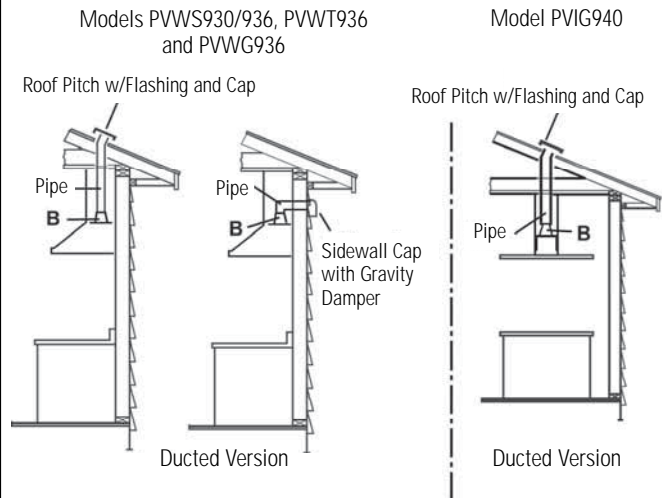
Closely follow the instructions set out in this manual. All responsibility, for any eventual inconveniences, damages or fires caused by not complying with the instructions in this manual, is declined.

Venting Methods

The hood is equipped with a transition B for discharge of fumes to the outside (**Ducting version**).

Models PVWS930/936 and PVWT936: Minimum Duct Size (Ducting/Ductless version): 5" Round Pipe.

Models PVWG936 and PVIG940: Minimum Duct Size (Ducting/Ductless version): 6" Round Pipe.



Preparation

Do not cut a joist or stud unless absolutely necessary. If a joist or stud must be cut, then a supporting frame must be constructed.

Fittings material is provided to secure the hood to most types of walls/ceilings.

However, a qualified technician must verify suitability of the materials in accordance with the type of wall/ceiling.

Before making cutouts, make sure there is proper clearance within the ceiling or wall for exhaust vent.

Hood installation height above cooktop is the users preference. The lower the hood is above the cooktop, the more efficient the capturing of cooking odors, grease and smoke.

The hood shall be installed at 30" (76,2 cm) minimum to 36" (91,4 cm) above the countertop. Check your ceiling height and the hood height maximum before you select your hood.

Installation Instructions

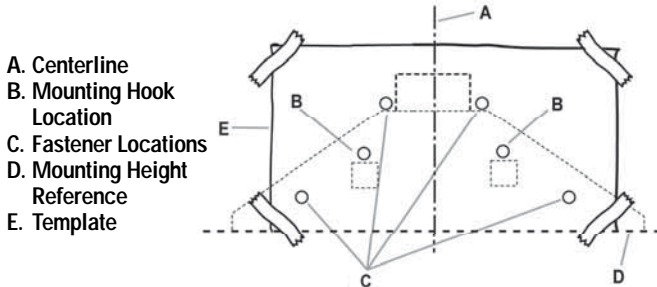
WALL INSTALLATION

FOR MODELS PVWS930, PVWS936, PVWT936 AND PVWG936 ONLY

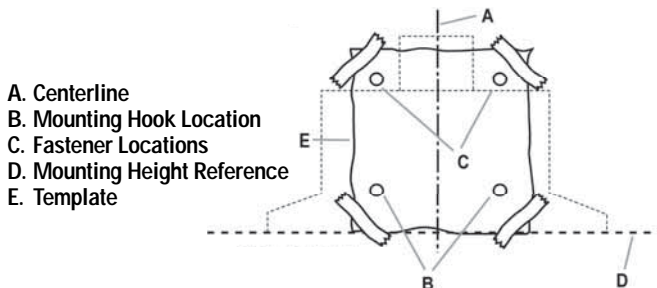
(For model **PVIG940** installation, please refer to the paragraph "CEILING INSTALLATION" on the next pages).

1. Choose the assembly height which is most convenient for the user and mark the wall behind the hob.
2. Mark the centre line of the hood and trace the vertical line from the bottom of the hood to the ceiling.
3. Fasten the template using adhesive tape, making sure the centre line corresponds with the bottom of the hood.
4. Mark the centre of the fixing points (**6** fixing points for models **PVWS930/936** and **PVWT936**; **4** fixing points for model **PVWG936**) through the template on the wall and then remove the template.
5. Trace a horizontal line on the wall 1" above the highest fixing point and 1" below the lowest fixing point.
6. Find studs behind drywall by tapping wall or using a stud finder. Mark the center of the studs with a vertical line to the right and left of the marked fastener location.
7. **Note:** All fastener location must span the studs otherwise proceed as follows:
 - Cutout drywall along marked lines.
 - Install wood blocking between studs and make sure it is flush with existing stud front. Make sure all mounting screws will anchor to added studs.
 - Replace drywall and refinish.
8. Mark the centre line again and the bottom of the hood in same position as before and fasten the template to the wall using adhesive tape as indicate above at point 3.

Models PVWS930/936 and PVWT936



Model PVWG936



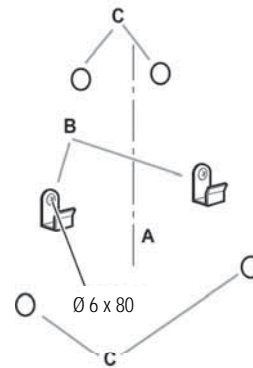
9. Models PVWS930/936 and PVWT936:

Attach the 2 hooks with leveling screws (provided in the assembly kit) to the points marked on the template with 2 screws and then remove the template.

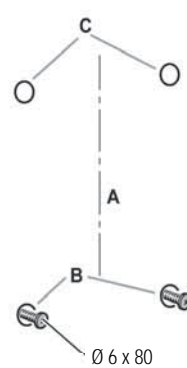
Model PVWG936:

Screw 2 screws on lower fixing point but do not tighten them completely (leave a space of 1/2") they will serve to hang the hood canopy.

Models PVWS930/936 and PVWT936



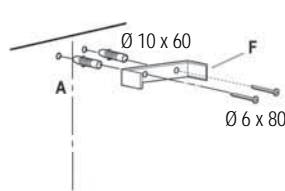
Model PVWG936



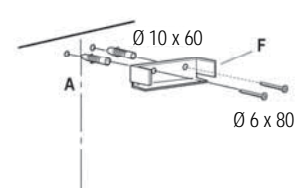
- A. Centerline
- B. Mounting Hooks (screws)
- C. Fastener Locations

10. Install the bracket flush with the ceiling using the drywall anchors provided with the appliance.

Models PVWS930/936 and PVWT936



Model PVWG936



11. Determine and make all necessary cuts in the wall for the vent system. Install the vent system before the canopy hood. See „Venting methods“ paragraph.
12. Determine the required height for the conduit and cut a 1 1/4" hole at this location. Run wires through hole according to the National Electrical Code or CSA Standards and local codes and ordinances.

Note: If a In-line blower installation is required/ needed, then provide an additional hole/conduit.

There must be enough power supply cable from the fused disconnect (Or circuit breaker) box to make the connection in the hood's Junction box/es.

Use caulking to seal all openings.

Do Not turn on power until installation is completed.

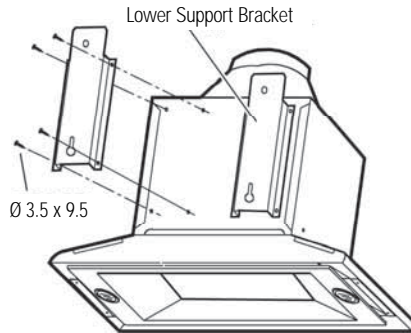
1 Ft = 0.3 m
1" = 2.5 cm

Installation Instructions

WALL INSTALLATION - Continued

13. Model PVWG936:

Fix the 2 supplied brackets on the rear side of the motor housing with 4 screws each.



14. Hang hood with the 2 mounting hooks (screws).

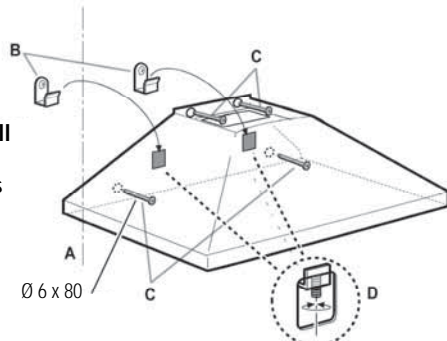
WARNING

Excessive Weight Hazard - Use two or more people to move and install range hood. Failure to do so can result in back or other injury.

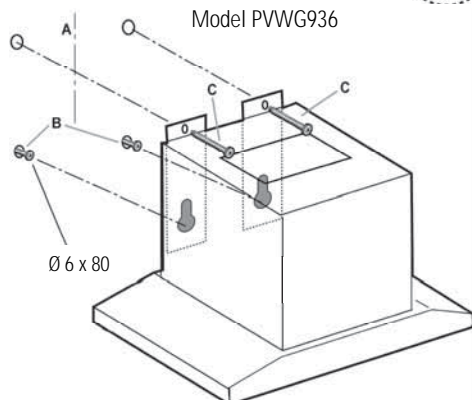
15. Hang hood with the 2 mounting hooks (screws). Level the appliance, using a carpenter's level across bottom of hood and (**models PVWS930/936 and PVWT936 only**) with leveling screws in mounting hooks.

16. Secure hood with 2 screws on top and (**models PVWS930/936 and PVWT936 only**) 2 screws on bottom.

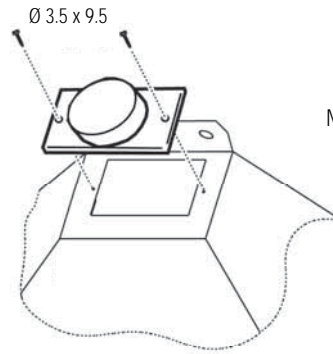
Models PVWS930/936 and PVWT936



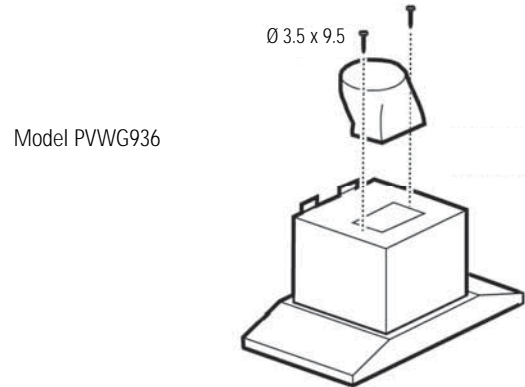
- A. Centerline on Wall
- B. Mounting Hooks
- C. Mounting Screws
- D. Leveling Screws



17. Install the transition at the top of the hood in case it has been removed.



Models PVWS930/936 and PVWT936



Model PVWG936

18. Connect ducting to transition. Seal with duct tape. **Do not use duct smaller than the transition.**

19. Electrical connection

WARNING

- **Electrical Shock Hazard**
- **Turn off power circuit at the service panel before wiring this unit.**
- **120 VAC, 15 or 20 Amp circuit required.**

ELECTRICAL GROUNDING INSTRUCTIONS

THIS APPLIANCE IS FITTED WITH AN ELECTRICAL JUNCTION BOX WITH 3 WIRES, ONE OF WHICH (GREEN/YELLOW) SERVES TO GROUND THE APPLIANCE. TO PROTECT YOU AGAINST ELECTRIC SHOCK, THE GREEN AND YELLOW WIRE MUST BE CONNECTED TO THE GROUNDING WIRE IN YOUR HOME ELECTRICAL SYSTEM, AND IT MUST UNDER NO CIRCUMSTANCES BE CUT OR REMOVED.

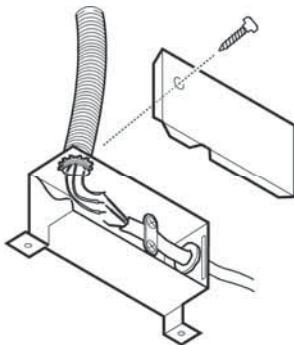
Failure to do so can result in death or electrical shock.

Remove the knockout and the Junction box cover and install the conduit connector (cUL listed) in junction box.

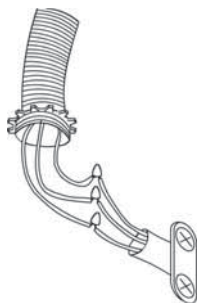
1 Ft = 0.3 m
1" = 2.5 cm

Installation Instructions

WALL INSTALLATION - Continued



Run 3 wires; black, white and green, according to the National Electrical Code and local codes and ordinances, in 1/2" conduit from service panel to junction box.

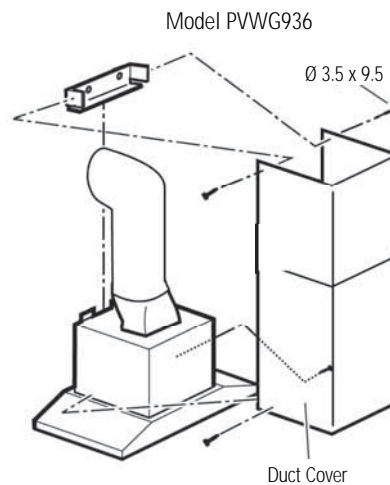


Connect black wire from service panel to black or red in junction box, white to white and green to green-yellow.
Close and secure junction box cover.

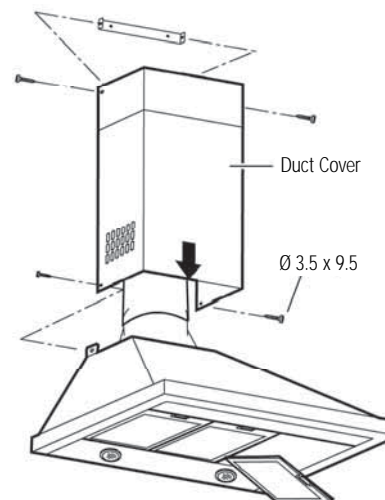
20. Check all light bulbs to make sure they are secure in their sockets.
Turn power (On) in service panel.
Check lights and blower operation.
21. Install filters.
22. Install duct covers with 4 screws.

1 Ft = 0.3 m

1" = 2.5 cm



Models PVWS930/936 and PVWT936



23. **Model PVWG936:**
Install the glass vapour catcher with 4 screws and bushes, place the rubber tape between the canopy metal edge and the glass (see drawing at last pages of this manual).

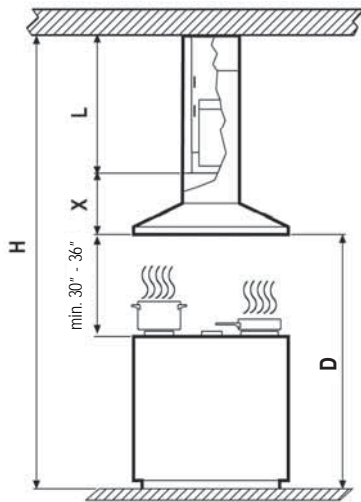
Installation Instructions

CEILING INSTALLATION

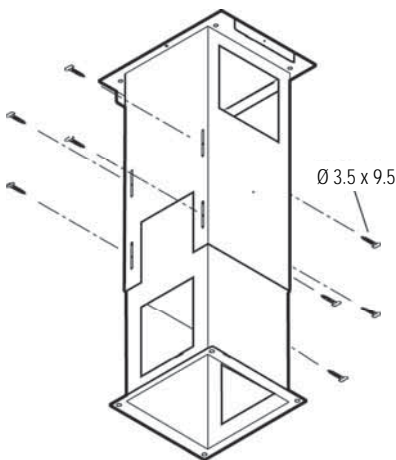
FOR MODEL PVIG940 ONLY

(For models PVWS930/936, PVWT936 and PVWG936 installation, please refer to paragraph "WALL INSTALLATION" on previous pages).

1. Choose the assembly height which is most convenient for the user.
2. Measure the height "H" between the ceiling and the floor
 - establish the desired distance "D" between the floor and the hood
 - measure the height "X" of the hood
 - you will obtain "L" by applying the following formula
 $L = H - (D + X)$.



Once you have regulated the length of the telescopic structure, fasten the two items using the 8 screws.



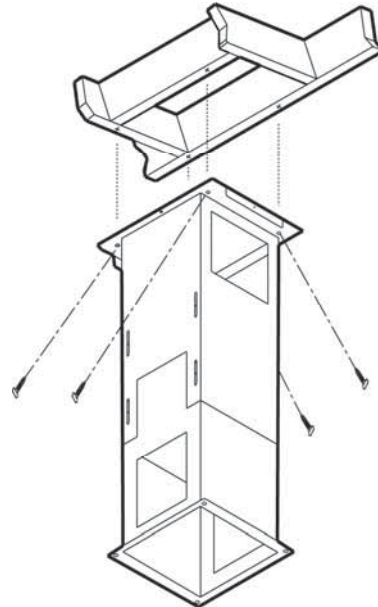
3. Mark the centre lines of the hob or the distance on the overlying ceiling. Use the centre lines marked on the ceiling to position the assembly template.

1 Ft = 0.3 m
1" = 2.5 cm

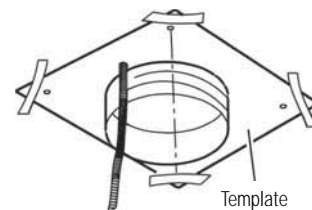
Note the position of the front part of the hood and proceed with the installation.

Note: All fastener location must span the studs otherwise proceed as described in **Step 4**.

4. Remove the template and keep it. Cut the dry wall of the ceiling and remove it. Install some wooden strips of suitable length 2" x 4" between the joists to create the assembly points of the chimney flue. Use the template for the dimensions and to define the space required. Make sure you fasten the wooden strips safely and level. **Consult a professional if you are having difficulty or if this is your first installation.**



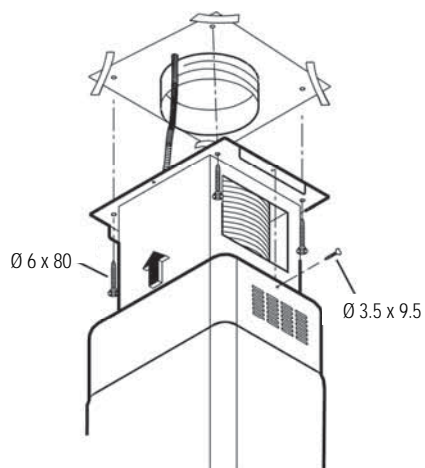
5. Install the outlet duct. The female end should be 4½" under the finished ceiling and fastened safely to the joists. **Do not use smaller ducts than those specified.**
6. Install the conduit in the position marked in the hood and measure out the length "L" from the ceiling (see installation **Step 2**).
7. Install the dry wall around the duct and conduit then proceed with the ceiling finish.



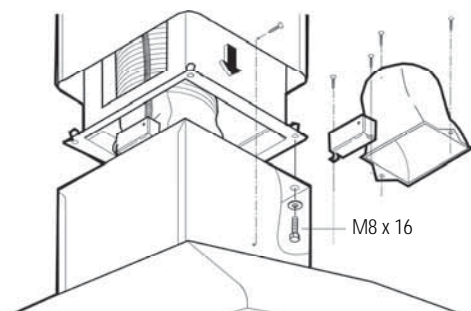
8. Fasten the outlet duct to the female end situated 4" underneath the ceiling.
9. Position the telescopic structure adjusted previously. Fasten it to the ceiling using the 4 screws. The outlet duct and the conduit pass along inside it.
10. Insert the chimney with the grid facing the ceiling and fasten it on the sides to the telescopic structure using 2 screws.

Installation Instructions

CEILING INSTALLATION - Continued



11. Insert the other chimney and keep it raised. Fix the low connector to the connection box. Then fasten the outlet duct onto the transition.
12. Bring the canopy together with the telescopic structure, and fasten them together using 4 screws (M8 x 16).
Then you can carry out the electrical connection (consult **Step 19** of "WALL INSTALLATION" instructions on previous page).
13. Lower the chimney and fasten it on the sides to the hood.



14. Install the glass vapour catcher with 4 screws and bushes, place the rubber tape between the canopy metal edge and the glass (see drawing at last pages of this manual)

Safety Instructions

Operating Instructions

Care and Cleaning

Troubleshooting Tips

Consumer Support

Before you call for service...



Troubleshooting Tips
 Save time and money! Review the charts on the following pages first and you may not need to call for service.

| <i>Problem</i> | <i>Possible Causes</i> | <i>What To Do</i> |
|---|---|--|
| <i>Fan does not operate when the switch is on</i> | A fuse may be blown or a circuit breaker tripped. | <ul style="list-style-type: none"> • Replace fuse or reset circuit breaker. |
| <i>Fan fails to circulate air or moves air slower than normal</i> | Excessively soiled filters. | <ul style="list-style-type: none"> • Remove the filters, clean if necessary and replace them. If cleaning and replacing the filters does not correct the problem, call for service. |

Please place in envelope and mail to:
Veuillez mettre dans une enveloppe et envoyez à :

**OWNERSHIP REGISTRATION
P.O. BOX 1780
MISSISSAUGA, ONTARIO
L4Y 4G1**

**(FOR CANADIAN CONSUMERS ONLY -
POUR RÉSIDENTS CANADIENS SEULEMENT)**



For Canadian
Customers



Pour les
consommateurs
canadiens

CUT ALONG THIS LINE AND RETURN CARD – THANKS
DÉCOUPEZ ICI ET ENVOYEZ LA FICHE – MERCI

OWNERSHIP REGISTRATION CERTIFICATE – FICHE D'INSCRIPTION DU PROPRIÉTAIRE

Please register your product to enable us to contact you in the remote event a safety notice is issued for this product and to allow for efficient communication under the terms of our warranty, should the need arise.

Veillez enregistrer votre produit afin de nous permettre de communiquer avec vous si jamais un avis de sécurité concernant ce produit était émis et de communiquer facilement avec vous en vertu de votre garantie, si le besoin s'en fait sentir.

| | | | |
|---|-------------------------------------|---|---|
| REGISTER ON-LINE: www.geappliances.ca | | MAIL TO: P.O. BOX 1780, MISSISSAUGA | |
| ENREGISTREMENT SUR INTERNET À: www.electromenagersge.ca | | POSTEZ À: ONTARIO, L4Y 4G1 | |
| <input type="checkbox"/> MR. / M. | <input type="checkbox"/> MRS. / MME | FIRST NAME / PRÉNOM | LAST NAME / NOM |
| <input type="checkbox"/> MISS/MLLE | <input type="checkbox"/> MS. | | |
| STREET NO / N° RUE | STREET NAME / RUE | | APT.NO/APP./RR# |
| CITY / VILLE | | PROVINCE | POSTAL CODE/CODE POSTAL |
| AREA CODE/IND. RÉG. | TELEPHONE/TÉLÉPHONE | E-MAIL/COURRIEL | |
| DID YOU PURCHASE A SERVICE CONTRACT FOR THIS APPLIANCE? AVEZ-VOUS ACHETÉ UN CONTRAT DE SERVICE POUR CET APPAREIL ? | | YES/OUI | <input type="checkbox"/> IF YES/SI OUI : EXPIRATION Y/A M DU |
| | | NO/NON | <input type="checkbox"/> |
| NAME OF SELLING DEALER / NOM DU MARCHAND | | MODEL / MODÈLE | |
| INSTALLATION DATE / DATE D'INSTALLATION Y/A M DU | CORRESPONDENCE CORRESPONDANCE | <input type="checkbox"/> ENGLISH <input type="checkbox"/> FRANÇAIS | SERIAL / SÉRIE |
| <input type="checkbox"/> I do not wish to receive any promotional offers regarding this product. Je ne désire pas recevoir d'offres promotionnelles concernant ce produit. | | | |

Range Hood Warranty.



All warranty service provided by our Factory Service Centers, or an authorized Customer Care® technician. To schedule service, on-line, 24 hours a day, visit us at www.GEAppliances.ca, or call 1.800.561.3344.

Staple your receipt here.
Proof of the original purchase date is needed to obtain service under the warranty.

For The Period Of: Mabe Will Replace:

One Year

From the date of the original purchase

Any part of the range hood which fails due to a defect in materials or workmanship. During this **full one-year warranty**, Mabe will also provide, **free of charge**, all labor and in-home service to replace the defective part.

What Mabe Will Not Cover:

- Service trips to your home to teach you how to use the product.
- Improper installation, delivery or maintenance.
- Failure of the product if it is abused, misused, or used for other than the intended purpose or used commercially.
- Replacement of house fuses or resetting of circuit breakers.
- Damage to the product caused by accident, fire, floods or acts of God.
- Incidental or consequential damage caused by possible defects with this appliance.
- Damage caused after delivery.

EXCLUSION OF IMPLIED WARRANTIES—Your sole and exclusive remedy is product repair as provided in this Limited Warranty. Any implied warranties, including the implied warranties of merchantability or fitness for a particular purpose, are limited to one year or the shortest period allowed by law.

This warranty is extended to the original purchaser and any succeeding owner for products purchased for home use within Canada. If the product is located in an area where service by a Mabe Authorized Servicer is not available, you may be responsible for a trip charge or you may be required to bring the product to an Authorized Mabe Service Location for service.

Some provinces do not allow the exclusion or limitation of incidental or consequential damages. This warranty gives you specific legal rights, and you may also have other rights which vary from province to province. To know what your legal rights are, consult your local or provincial consumer affairs office.

Warrantor: Mabe Canada Inc. Burlington, Ontario

Safety Instructions

Operating Instructions

Care and Cleaning

Troubleshooting Tips

Consumer Support

Consumer Support.



GE Appliances Website

GEAppliances.ca

Have a question or need assistance with your appliance? Try the GE Appliances Website 24 hours a day, any day of the year! For greater convenience and faster service, you can now download Owner's Manuals, order parts or even schedule service on-line.



Schedule Service

GEAppliances.ca

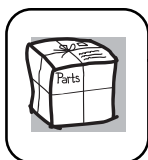
Expert Mabe repair service is only one step away from your door. Get on-line and schedule your service at your convenience 24 hours any day of the year! Or call 1-800-461-3636 during normal business hours.



Extended Warranties

GEAppliances.ca

Purchase a GE extended warranty and learn about special discounts that are available while your warranty is still in effect. You can purchase it on-line anytime, or call 1-888-261-2133 during normal business hours. Mabe Consumer Home Services will still be there after your warranty expires.



Parts and Accessories

GEAppliances.ca

Individuals qualified to service their own appliances can have parts or accessories sent directly to their homes (VISA, MasterCard and Discover cards are accepted). Order on-line today, 24 hours every day or by phone at 1-800-661-1616 during normal business hours.

Instructions contained in this manual cover procedures to be performed by any user. Other servicing generally should be referred to qualified service personnel. Caution must be exercised, since improper servicing may cause unsafe operation.



Contact Us

GEAppliances.ca

If you are not satisfied with the service you receive from Mabe, contact us on our Website with all the details including your phone number, or write to:

General Manager, Customer Relations, Mabe Canada Inc.
Suite 310, 1 Factory Lane
Moncton, N.B. E1C 9M3



Register Your Appliance

GEAppliances.ca

Register your new appliance on-line—at your convenience! Timely product registration will allow for enhanced communication and prompt service under the terms of your warranty, should the need arise. You may also mail in the pre-printed registration card included in the packing material.

Free Manuals Download Website

<http://myh66.com>

<http://usermanuals.us>

<http://www.somanuals.com>

<http://www.4manuals.cc>

<http://www.manual-lib.com>

<http://www.404manual.com>

<http://www.luxmanual.com>

<http://aubethermostatmanual.com>

Golf course search by state

<http://golfingnear.com>

Email search by domain

<http://emailbydomain.com>

Auto manuals search

<http://auto.somanuals.com>

TV manuals search

<http://tv.somanuals.com>