

# Modbus TCP Gateway Module

334183A

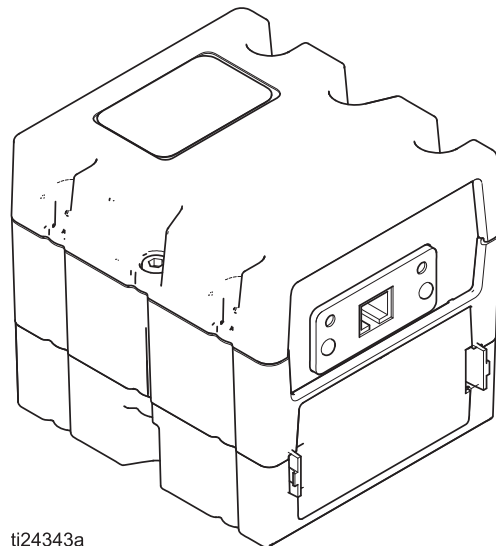
EN

*For use with systems based on Graco Control Architecture to provide Modbus TCP communications capabilities.*



### Important Safety Instructions

Read all warnings and instructions in the system operation manual. Save these instructions.



ti24343a



Conforms to  
UL STD 508  
Certified to CAN/CSA STD C22.2 No. 14



PROVEN QUALITY. LEADING TECHNOLOGY.

# Contents

<b>Models</b> .....	<b>2</b>
<b>Component Identification</b> .....	<b>3</b>
<b>Overview</b> .....	<b>4</b>
<b>Installation</b> .....	<b>4</b>
<b>Setup</b> .....	<b>5</b>
<b>Troubleshooting</b> .....	<b>10</b>
<b>Parts</b> .....	<b>11</b>
<b>Technical Data</b> .....	<b>11</b>
<b>Graco Standard Warranty</b> .....	<b>12</b>
<b>Graco Information</b> .....	<b>12</b>

# Models

<b>Communications Gateway Module Part No.</b>	<b>Fieldbus</b>
24W462	Modbus TCP

To order replacement parts, see **Parts** on page 9.

To order installation kits for a system based on Graco Control Architecture, see the system operation manual.

# Component Identification

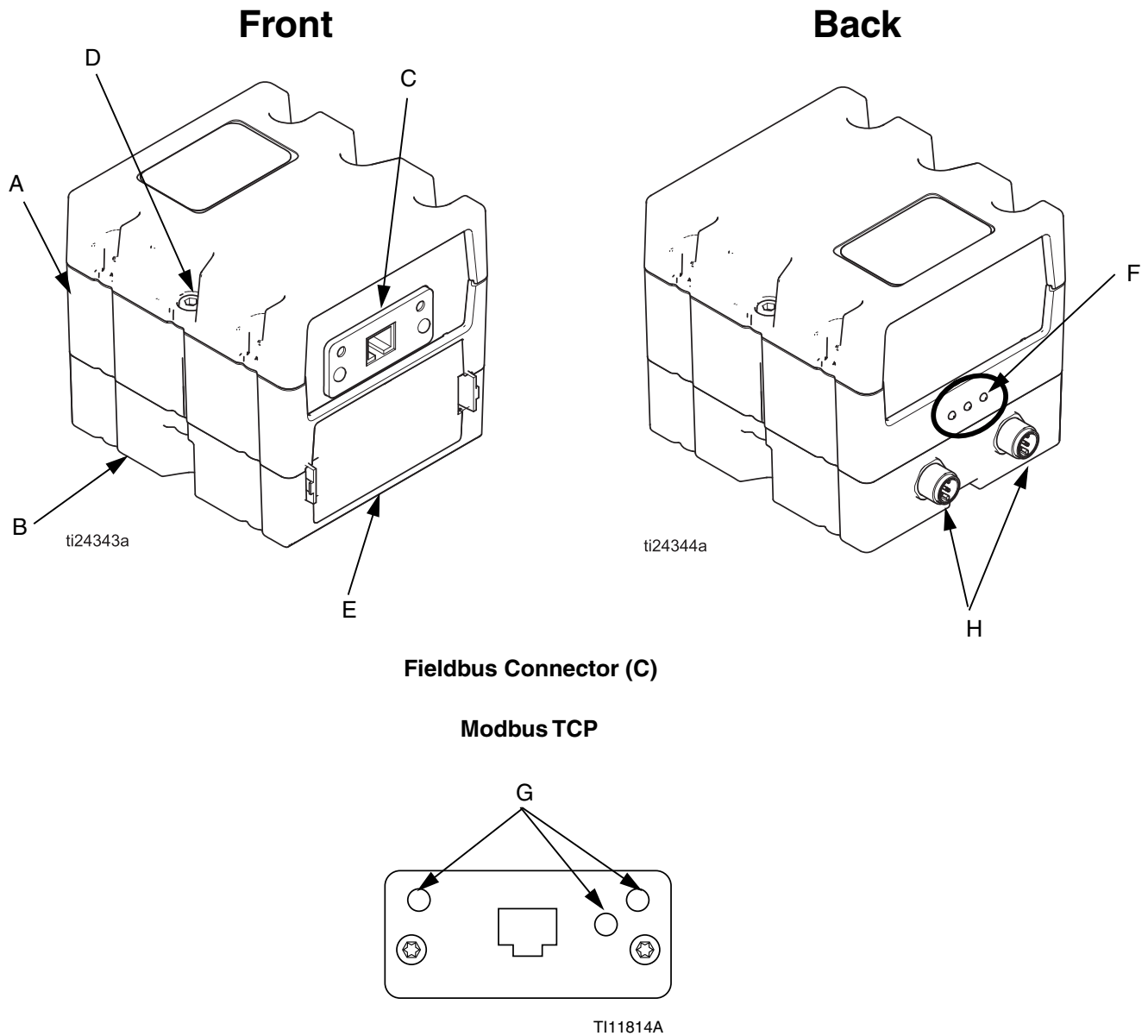


FIG. 1:

**Key:**

- A Communications Gateway Module
- B Base
- C Fieldbus Connector
- D Module Connection Screws
- E Access Cover
- F Module Status LEDs
- G Fieldbus Status LEDs (see descriptions on page 6)
- H CAN Connectors

# Overview

## Module Description

The Modbus TCP (MBTCP) Gateway Module provides a control link between a Modbus TCP fieldbus and a system that uses Graco Control Architecture (GCA). This link provides the means for remote monitoring and control by an external automation system.

Data provided by the MBTCP Gateway Module to the fieldbus depends on the GCA-based system. Mapping of Modbus registers is loaded by the host GCA system and varies by system.

## Data Exchange

Data is available by block transfer or by explicit access to individual attributes as defined by the fieldbus specification.

## Module Status LED Signals

Signal	Description
Green on	The system is powered up.
Yellow	Internal communication is in progress.
Red Solid	MBTCP hardware failure
Red Flashing	The red LED (F) will flash a code, pause, then repeat. See <b>MBTCP Module Errors</b> on page 7 for details.
3 flashes	The host device of the mapped property is not responding.
4 flashes	No valid mapping is set by the host.
5 flashes	MBTCP is not connected or the system has an invalid network configuration.

**NOTE:**

If you get a “No Valid Map” error, disable and re-enable your gateway from the host device.

## Module Requirements

### Power Supply

The MBTCP Gateway Module requires a 12-30 VDC @ 0.2 A power supply. Refer to the system manual for system level power supply guidelines.

### Environment Conditions

Refer to the system manual for guidelines regarding environment conditions for the MBTCP module.

## Installation

The MBTCP Gateway Module is available for use with all GCA-based systems that have a compatible design. Each MBTCP module requires the following to operate in a system:

- Mounting hardware
- Compatible GCA system

Install the MBTCP module as explained in the system operation manual or in the installation kit manual.

If the MBTCP is offered only as an accessory for your system, see **Accessories** in the system operation manual for available MBTCP kits.

## Connect Cables

Connect cables as explained in the system operation manual.

### NOTICE

Route cables to avoid interference with moving parts.

## Rotary Switch

If your system has only one MBTCP module, keep the rotary switch (S) at its default position of 0.

If the system has multiple MBTCP modules, use a unique value (position) for each module. Remove the access cover (E) to set the rotary switch (S) for each module.

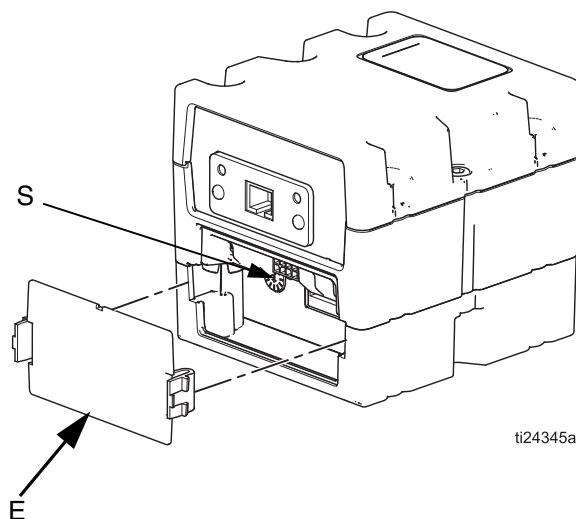
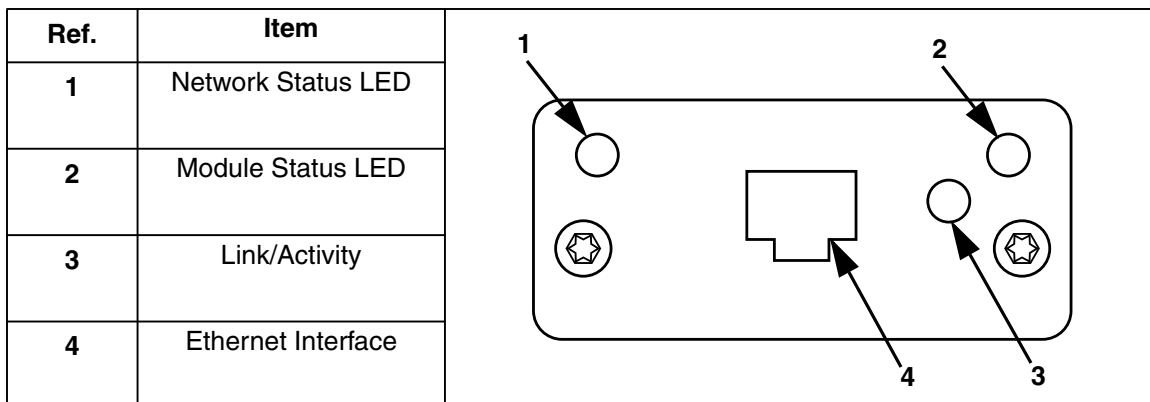


FIG. 2

## Fieldbus Connectors



### Network Status LED

LED State	Description
Off	No power or no IP address
Green	Connection established. Module is in the Process Active state or the Idle state.
Flashing Green	Waiting for connection
Red	Duplicate IP address or FATAL event
Flashing Red	Process Active timeout

### Module Status LED

LED State	Description
Off	No power
Green	Normal operation
Red	Major fault. The module is in the state of EXCEPTION (or FATAL event).
Red Flashing	Minor fault in diagnostic object or IP conflict

### Link/Activity LED

LED State	Description
Off	No Link, no communication present
Green	Link established, no communication present
Flashing Green	Link established, communication present

### Ethernet Interface

The Ethernet interface supports 10/100 Mbit, full or half duplex operation.

# Troubleshooting

## MBTCP Module Errors

Module errors are triggered by overall system operation. The module status LED blinks red at a frequency of 1 Hz. The red LED (F) will flash a code, pause, then repeat.

Module Status LED Signal	Diagnosis	Solution
3 red flashes	The host of the mapped property is not responding.	Check whether all system devices are powered on.
		Check cabling between all system devices.
4 red flashes	The host device (ADM) has not initiated property mapping.	Disable and then re-enable the gateway module from the host device (ADM).
5 red flashes	The MBTCP module is not connected.	Verify that the MBTCP module is connected.
	The system has an invalid network Configuration.	Verify the proper network Configuration.

## Modbus Errors

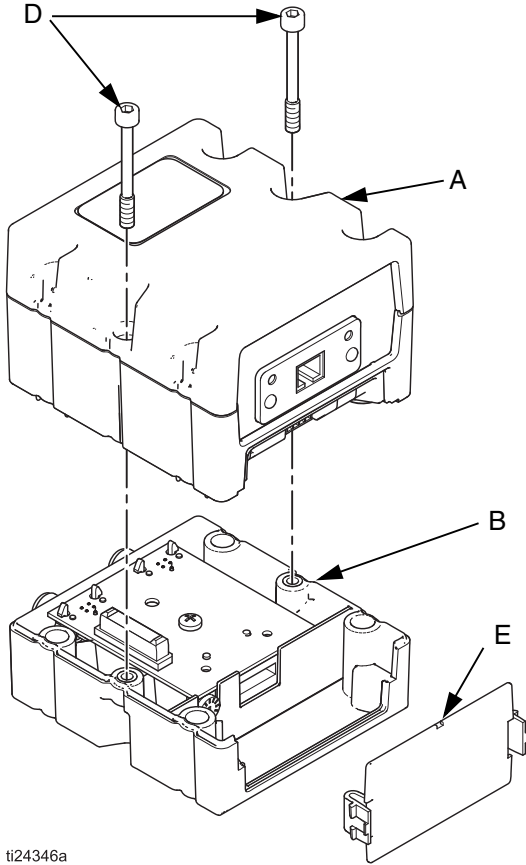
Modbus errors are typical protocol errors defined by fieldbus specification. The fieldbus error code shown is returned to the PLC when the error condition occurs.

Code	Name	Cause	Solution
1	Illegal Function	Request function is not supported.	Use supported Modbus functions: <ul style="list-style-type: none"> <li>• Read Holding Register</li> <li>• Write Holding Register</li> <li>• Write Multiple Holding Registers</li> </ul>
2	Illegal Data Address	Exceeded maximum register count of 121 registers.	Request 121 or fewer registers at a time.
		No valid property mapped to the requested Modbus register.	Verify that the device has valid mapping. See MBTCP Modbus Error for 4 red flashes.
		Write Holding Register(s) returns set property error.	Verify that the end device is online.
3	Illegal Data Value	Not implemented.	
4	Slave Device Fail	Not implemented.	
5	Acknowledge	Not implemented.	
6	Slave Device Busy	Not implemented.	
8	Memory Parity Error	Not implemented.	
10	Gateway Path Unavailable	Not implemented.	
11	Gateway Target Fail	An active system error exists.	Refer to system errors table.
255	Unspecified		



# Parts

## Modbus TCP Gateway Module



ti24346a

### Parts

Ref	Part No.	Description	Qty.
A	24W777	MODULE, Gateway, Modbus TCP	1
B	289697	Base	1
D	114135	SCREW, mounting, module connection	2
E	277674	COVER, access	1

## Technical Data

Category	Data
Power requirements	12-30 VDC @ 0.2 A
Weight	12.8 oz.
Dimensions	4.3 in. x 3.8 in. x 3.8 in.

# Graco Standard Warranty

Graco warrants all equipment referenced in this document which is manufactured by Graco and bearing its name to be free from defects in material and workmanship on the date of sale to the original purchaser for use. With the exception of any special, extended, or limited warranty published by Graco, Graco will, for a period of twelve months from the date of sale, repair or replace any part of the equipment determined by Graco to be defective. This warranty applies only when the equipment is installed, operated and maintained in accordance with Graco's written recommendations.

This warranty does not cover, and Graco shall not be liable for general wear and tear, or any malfunction, damage or wear caused by faulty installation, misapplication, abrasion, corrosion, inadequate or improper maintenance, negligence, accident, tampering, or substitution of non-Graco component parts. Nor shall Graco be liable for malfunction, damage or wear caused by the incompatibility of Graco equipment with structures, accessories, equipment or materials not supplied by Graco, or the improper design, manufacture, installation, operation or maintenance of structures, accessories, equipment or materials not supplied by Graco.

This warranty is conditioned upon the prepaid return of the equipment claimed to be defective to an authorized Graco distributor for verification of the claimed defect. If the claimed defect is verified, Graco will repair or replace free of charge any defective parts. The equipment will be returned to the original purchaser transportation prepaid. If inspection of the equipment does not disclose any defect in material or workmanship, repairs will be made at a reasonable charge, which charges may include the costs of parts, labor, and transportation.

**THIS WARRANTY IS EXCLUSIVE, AND IS IN LIEU OF ANY OTHER WARRANTIES, EXPRESS OR IMPLIED, INCLUDING BUT NOT LIMITED TO WARRANTY OF MERCHANTABILITY OR WARRANTY OF FITNESS FOR A PARTICULAR PURPOSE.**

Graco's sole obligation and buyer's sole remedy for any breach of warranty shall be as set forth above. The buyer agrees that no other remedy (including, but not limited to, incidental or consequential damages for lost profits, lost sales, injury to person or property, or any other incidental or consequential loss) shall be available. Any action for breach of warranty must be brought within two (2) years of the date of sale.

**GRACO MAKES NO WARRANTY, AND DISCLAIMS ALL IMPLIED WARRANTIES OF MERCHANTABILITY AND FITNESS FOR A PARTICULAR PURPOSE, IN CONNECTION WITH ACCESSORIES, EQUIPMENT, MATERIALS OR COMPONENTS SOLD BUT NOT MANUFACTURED BY GRACO.** These items sold, but not manufactured by Graco (such as electric motors, switches, hose, etc.), are subject to the warranty, if any, of their manufacturer. Graco will provide purchaser with reasonable assistance in making any claim for breach of these warranties.

In no event will Graco be liable for indirect, incidental, special or consequential damages resulting from Graco supplying equipment hereunder, or the furnishing, performance, or use of any products or other goods sold hereto, whether due to a breach of contract, breach of warranty, the negligence of Graco, or otherwise.

## **FOR GRACO CANADA CUSTOMERS**

The Parties acknowledge that they have required that the present document, as well as all documents, notices and legal proceedings entered into, given or instituted pursuant hereto or relating directly or indirectly hereto, be drawn up in English. Les parties reconnaissent avoir convenu que la rédaction du présente document sera en Anglais, ainsi que tous documents, avis et procédures judiciaires exécutés, donnés ou intentés, à la suite de ou en rapport, directement ou indirectement, avec les procédures concernées.

# Graco Information

**TO PLACE AN ORDER**, contact your Graco distributor or call to identify the nearest distributor.

**Phone:** 612-623-6921 **or Toll Free:** 1-800-328-0211 **Fax:** 612-378-3505

*All written and visual data contained in this document reflects the latest product information available at the time of publication. Graco reserves the right to make changes at any time without notice.*

Original instructions. This manual contains English. MM 334183

**Graco Headquarters:** Minneapolis

**International Offices:** Belgium, China, Japan, Korea

**GRACO INC. AND SUBSIDIARIES • P.O. BOX 1441 • MINNEAPOLIS MN 55440-1441 • USA**

**Copyright 2014, Graco Inc. All Graco manufacturing locations are registered to ISO 9001.**

Download from [www.graco.com](http://www.graco.com) or [www.Somanuals.com](http://www.Somanuals.com). All Manuals Search And Download.

## Free Manuals Download Website

<http://myh66.com>

<http://usermanuals.us>

<http://www.somanuals.com>

<http://www.4manuals.cc>

<http://www.manual-lib.com>

<http://www.404manual.com>

<http://www.luxmanual.com>

<http://aubethermostatmanual.com>

Golf course search by state

<http://golfingnear.com>

Email search by domain

<http://emailbydomain.com>

Auto manuals search

<http://auto.somanuals.com>

TV manuals search

<http://tv.somanuals.com>