

24-Gallon (90-Liter)

Oil Ace™

310864D
EN

Pressurized oil drain for collection of used lubricants and anti-freeze.

Model 119577 Series A

8 psi (55 kPa, .5 bar) Maximum Working Pressure



Important Safety Instructions

Read all warnings and instructions in this manual.
Save these instructions.





PROVEN QUALITY. LEADING TECHNOLOGY.

Contents

Manual Conventions	2	Service	5
Warnings	2	Parts	6
Assembly	4	Technical Data	7
Operation	5	Graco Standard Warranty	8
Emptying	5	Graco Information	8

Manual Conventions

 **WARNING**

 **Hazard Symbol**

WARNING: a potentially hazardous situation which, if not avoided, could result in death or serious injury.

Warnings in the instructions usually include a symbol indicating the hazard. Read the general **Warnings** section for additional safety information.

CAUTION


CAUTION: a potentially hazardous situation which, if not avoided, may result in property damage or destruction of equipment.


Note

 Additional helpful information.

Warnings

The following warnings include general safety information for this equipment. Additional product specific warnings may be included in the text where applicable.

 **WARNING**



FIRE AND EXPLOSION HAZARD

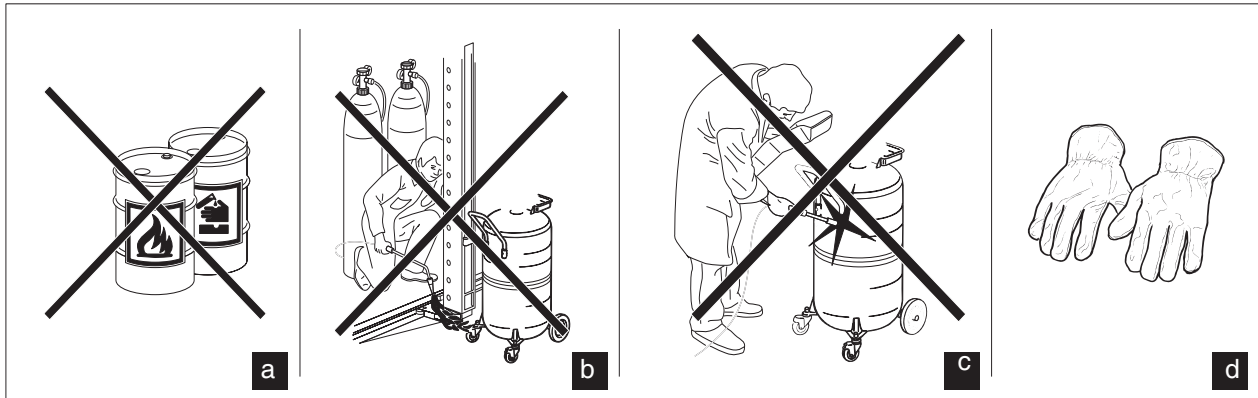
When flammable fluids are present in the work area, such as gasoline and windshield wiper fluid, be aware that flammable fumes can ignite or explode. To help prevent fire and explosion:

- Use equipment only in well ventilated area.
- Eliminate all ignition sources, such as cigarettes and portable electric lamps.
- Keep work area free of debris, including rags and spilled or open containers of solvent and gasoline.
- Do not plug or unplug power cords or turn lights on or off when flammable fumes are present.
- Ground equipment.
- Use only grounded hoses.
- If there is static sparking or you feel a shock, **stop operation immediately**. Do not use equipment until you identify and correct the problem.
- Keep a fire extinguisher in the work area.

 **WARNING**
**EQUIPMENT MISUSE HAZARD**

Misuse can cause death or serious injury.


- Do not exceed the maximum working pressure or temperature rating of the lowest rated system component. See **Technical Data** in all equipment manuals.
- Use fluids and solvents that are compatible with equipment wetted parts. See **Technical Data** in all equipment manuals. Read fluid and solvent manufacturer's warnings.
- Check equipment daily. Repair or replace worn or damaged parts immediately.
- Do not alter or modify equipment.
- For professional use only.
- Use equipment only for its intended purpose. Call your Graco distributor for information.
- Route hoses and cables away from traffic areas, sharp edges, moving parts, and hot surfaces.
- Do not use hoses to pull equipment.
- Comply with all applicable safety regulations.



- Do not drain caustic or flammable products.
- Do not expose the tank to any source of heat.
- Do not do any welding on the tank.
- Keep hands and face protected when draining high temperature oils.

United States Government safety standards have been adopted under the Occupational Safety and Health act. Consult these standards—particularly the General Standards, Part 1910.

Assembly

 Numbered panels in FIG. 1 correspond to the following steps. Part callout letters in FIG. 1, i.e., (A) are referenced throughout this manual.

1. Attach front wheels (A). Assemble wheel (A) on axle, then washer and hex-head bolt. Tighten.
2. Attach rear casters (B). Insert caster shaft through hole in bracket. Assemble washer, lock washer, and crown nut. Tighten.
3. Insert handle (C) into brackets (D) on back of tank, secure with screws provided.
4. Place tool tray (E) on tabs of tray bracket (F). Apply pressure to seat tray.
5. Insert the drain tube (H) through threaded opening on top of tank and hand-tighten collar (K) on threads.
6. Connect drain bowl (G) to drain tube (H) and tighten screw (J) to secure.
7. Loosen knob (L) and raise or lower drain bowl to desired height. Hand-tighten knob (L) to secure bowl at desired height
8. Place filter tray (M) into drain bowl (G).
9. Place plastic funnel extension (N) over drain bowl (G).

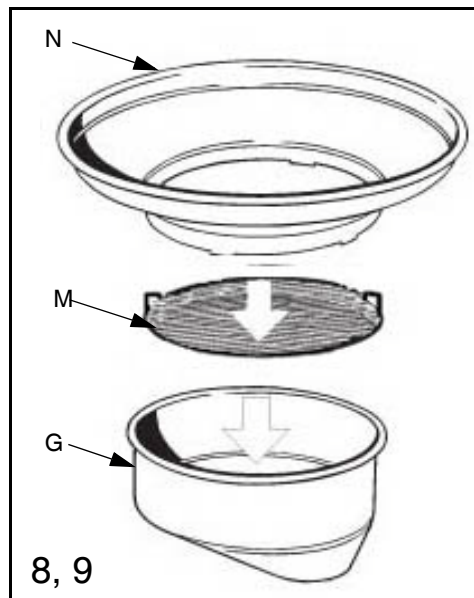
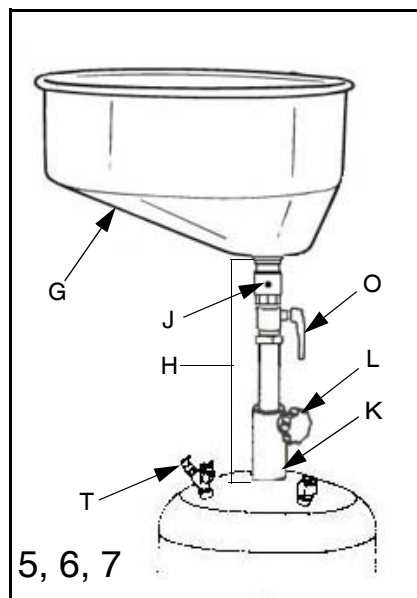
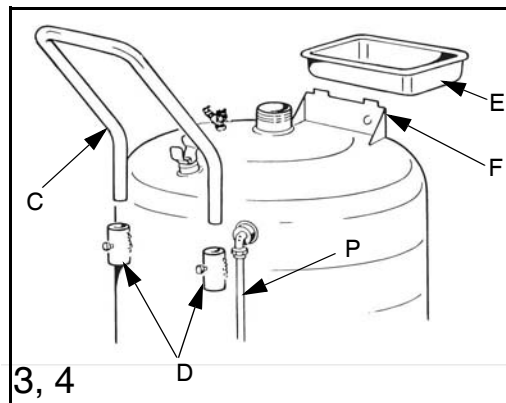
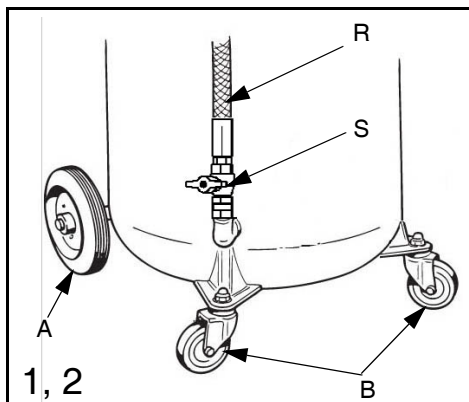


FIG. 1: Assembly

Operation

1. To raise or lower the drain bowl (G), loosen knob (L), adjust drain tube (H) to desired height, and retighten knob (L).
2. Ensure that the ball valve (O) on the drain tube (H) is open (red handle is down), when collecting used oil.

CAUTION

Never fill the tank beyond the maximum level indicated on the oil level gauge (P) located on the side of the tank. Monitor the oil level regularly to ensure you do not overfill the tank.

3. When the tank is full or nearly full, as indicated on oil level gauge (P), it is time to empty the tank.

Emptying

CAUTION

To ensure pressurization, adjust the drain tube (H) to it's fully extended position before emptying the tank.



If you should inadvertently attempt to empty the tank before you fully extend the drain tube, the tank will not pressurize and therefore will not empty.

1. Close ball valve (O) on the drain tube (red handle is horizontal).
2. Remove plug cap from the end of discharge hose (R) and place end of hose in a suitable used-oil container.
3. Open ball valve (S) at the discharge hose connection.
4. Connect 8 psi, (55 kPa, .5 bar) compressed air to tank air valve (T).
5. When the tank is empty, close ball valve (S) and open ball valve (O).
6. The tank is ready for continued use.

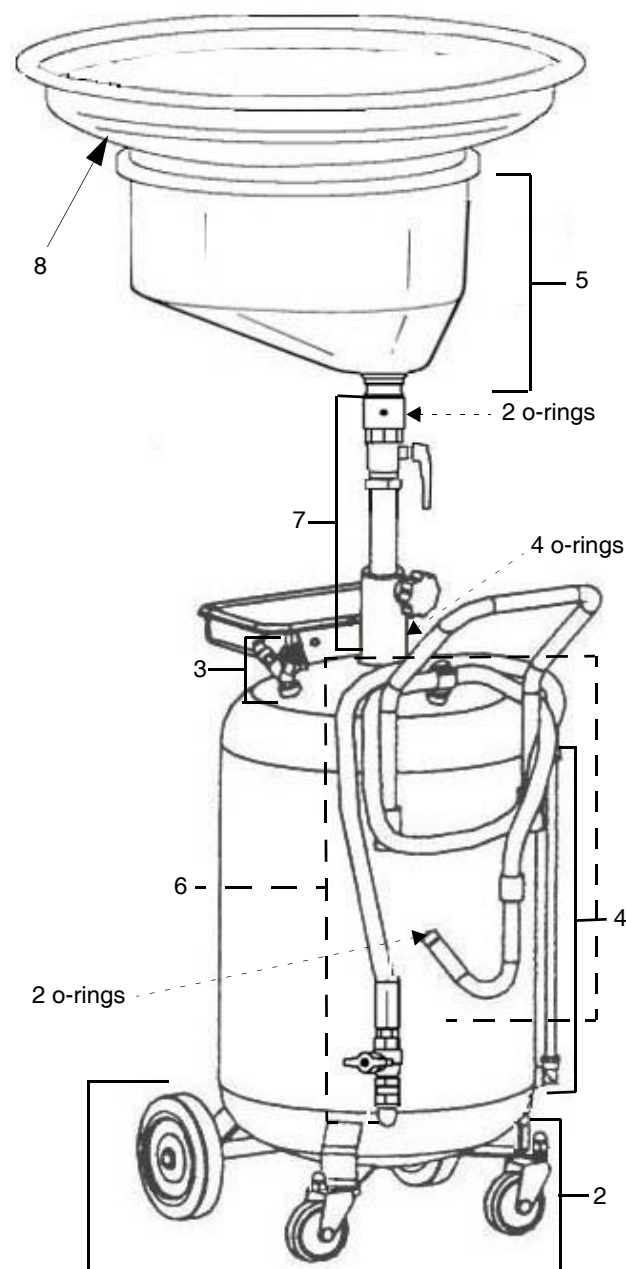
Service

See page 6 for service/repair kits that are available for your Oil Ace pressurized oil drain system. Follow assembly instructions on page 4 and part locations indicated on page 6 to replace parts. To simplify reassembly, make note of the position and order of worn parts when removing them, and assemble new parts in the same fashion.

Parts

Ref. No.	Part No.	Description	Qty
1	119575	O-ring repair kit Includes all o-rings (8) for entire unit. See dashed arrows on parts drawing for locations.	1
2	See Table Below	Caster and wheel repair kit Includes wheels (2), washers (2), bolts (2); casters (2), washers (2), lock washers (2), crown nuts (2)	1
3	119578	Air valve kit Includes "Y" fitting, safety valve, tank valve.	1
4	119580	Gauge tube kit (Includes gauge tube with incrementally marked label, elbows (2), tube fittings (2)	1
5	119581	Funnel kit Includes drain bowl, filter tray	1
6	119582	Discharge hose kit Includes tank fitting, 1/2" ball valve, discharge hose assembly	1
7	119853	Drain tube kit Includes all parts in column connecting drain bowl to tank	1
8	119574	EXTENSION, funnel	1
9▲	195591	LABEL, warning (not shown)	1

▲ Replacement Warning labels are available at no cost.



2 - Caster and Wheel Repair Kit

Refer to the following table to determine the correct Caster and Wheel Repair Kit to order for your Oil Ace equipment.

Part No.	Date Code	Wheel Diameter	Caster Diameter	Wheel Axel Length	Wheel Bearing Inner Diameter
119576	Prior to I12A (e.g. H12A, or B09A)	7 inch (175 mm)	4 inch (100 mm)	~1.25 inch (32 mm)	0.64 inch (16.25 mm)
127987	I12A or later (e.g. J12A or I14A)	6 inch (150 mm)	3 inch (75 mm)	~1.7 inch (43 mm)	0.59 inch (15 mm)

Technical Data

Maximum working pressure	8 psi (55 kPa, .5 bar)
Length	24 in. (61 cm)
Width	16 in. (40.6 cm)
Height	
with drain bowl at lowest adjustment	56.5 in. (143.5 cm)
with drain bowl at highest adjustment	80 in. (203 cm)
Funnel diameter	24 in. (61 cm)
Dry weight	74 lb. (33.6 kg)
Wetted parts	steel, copper, PVC plastic, rubber, aluminum
Recommended operating temperature	30° to 105° F (-1° to 41° C)

Graco Standard Warranty

Graco warrants all equipment referenced in this document which is manufactured by Graco and bearing its name to be free from defects in material and workmanship on the date of sale to the original purchaser for use. With the exception of any special, extended, or limited warranty published by Graco, Graco will, for a period of twelve months from the date of sale, repair or replace any part of the equipment determined by Graco to be defective. This warranty applies only when the equipment is installed, operated and maintained in accordance with Graco's written recommendations.

This warranty does not cover, and Graco shall not be liable for general wear and tear, or any malfunction, damage or wear caused by faulty installation, misapplication, abrasion, corrosion, inadequate or improper maintenance, negligence, accident, tampering, or substitution of non-Graco component parts. Nor shall Graco be liable for malfunction, damage or wear caused by the incompatibility of Graco equipment with structures, accessories, equipment or materials not supplied by Graco, or the improper design, manufacture, installation, operation or maintenance of structures, accessories, equipment or materials not supplied by Graco.

This warranty is conditioned upon the prepaid return of the equipment claimed to be defective to an authorized Graco distributor for verification of the claimed defect. If the claimed defect is verified, Graco will repair or replace free of charge any defective parts. The equipment will be returned to the original purchaser transportation prepaid. If inspection of the equipment does not disclose any defect in material or workmanship, repairs will be made at a reasonable charge, which charges may include the costs of parts, labor, and transportation.

THIS WARRANTY IS EXCLUSIVE, AND IS IN LIEU OF ANY OTHER WARRANTIES, EXPRESS OR IMPLIED, INCLUDING BUT NOT LIMITED TO WARRANTY OF MERCHANTABILITY OR WARRANTY OF FITNESS FOR A PARTICULAR PURPOSE.

Graco's sole obligation and buyer's sole remedy for any breach of warranty shall be as set forth above. The buyer agrees that no other remedy (including, but not limited to, incidental or consequential damages for lost profits, lost sales, injury to person or property, or any other incidental or consequential loss) shall be available. Any action for breach of warranty must be brought within two (2) years of the date of sale.

GRACO MAKES NO WARRANTY, AND DISCLAIMS ALL IMPLIED WARRANTIES OF MERCHANTABILITY AND FITNESS FOR A PARTICULAR PURPOSE, IN CONNECTION WITH ACCESSORIES, EQUIPMENT, MATERIALS OR COMPONENTS SOLD BUT NOT MANUFACTURED BY GRACO. These items sold, but not manufactured by Graco (such as electric motors, switches, hose, etc.), are subject to the warranty, if any, of their manufacturer. Graco will provide purchaser with reasonable assistance in making any claim for breach of these warranties.

In no event will Graco be liable for indirect, incidental, special or consequential damages resulting from Graco supplying equipment hereunder, or the furnishing, performance, or use of any products or other goods sold hereto, whether due to a breach of contract, breach of warranty, the negligence of Graco, or otherwise.

FOR GRACO CANADA CUSTOMERS

The Parties acknowledge that they have required that the present document, as well as all documents, notices and legal proceedings entered into, given or instituted pursuant hereto or relating directly or indirectly hereto, be drawn up in English. Les parties reconnaissent avoir convenu que la rédaction du présente document sera en Anglais, ainsi que tous documents, avis et procédures judiciaires exécutés, donnés ou intentés, à la suite de ou en rapport, directement ou indirectement, avec les procédures concernées.

Graco Information

For the latest information about Graco products, visit www.graco.com.

TO PLACE AN ORDER, contact your Graco distributor or call to identify the nearest distributor.

Phone: 612-623-6928 or **Toll Free:** 1-800-533-9655, **Fax:** 612-378-3590

*All written and visual data contained in this document reflects the latest product information available at the time of publication.
Graco reserves the right to make changes at any time without notice.*

MM 310864

Graco Headquarters: Minneapolis
International Offices: Belgium, China, Japan, Korea

GRACO INC. P.O. BOX 1441 MINNEAPOLIS, MN 55440-1441

www.graco.com

Printed in USA 310864D

Download from Www.Sonnet.com October 2014 Manuals Search And Download.

Free Manuals Download Website

<http://myh66.com>

<http://usermanuals.us>

<http://www.somanuals.com>

<http://www.4manuals.cc>

<http://www.manual-lib.com>

<http://www.404manual.com>

<http://www.luxmanual.com>

<http://aubethermostatmanual.com>

Golf course search by state

<http://golfingnear.com>

Email search by domain

<http://emailbydomain.com>

Auto manuals search

<http://auto.somanuals.com>

TV manuals search

<http://tv.somanuals.com>