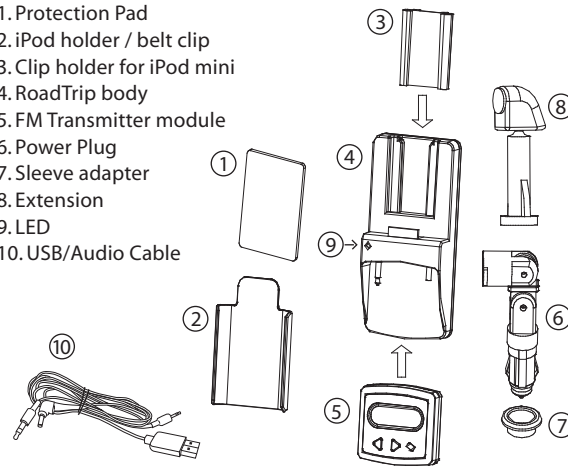


# RoadTrip

## QUICK START MANUAL

### PACKAGE CONTENTS

1. Protection Pad
2. iPod holder / belt clip
3. Clip holder for iPod mini
4. RoadTrip body
5. FM Transmitter module
6. Power Plug
7. Sleeve adapter
8. Extension
9. LED
10. USB/Audio Cable



### PREPARING THE IPOD (pieces 1, 2, 3, 4)

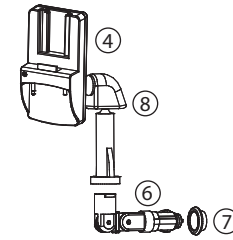
**Full-size iPod** - attach the included **belt clip / holder** (2) to the iPod. The slender models (10, 15, 20 GB) may feel loose in the holder. To make a snug fit, attach the **Protection Pad** (1) to the inside of the iPod holder. Slide the belt clip into the **RoadTrip body** (4). You will not need the clip holder (3).

**iPod mini** - attach the belt clip that came with your iPod mini. The belt clip will slide into the **clip holder** (3). Next, slide the

clip holder in to the **RoadTrip body** (4).

### POWER PLUG INSTALLATION (4, 6, 7)

Insert the **power plug** (6) into the RoadTrip body and gently twist clockwise until it clicks into place.



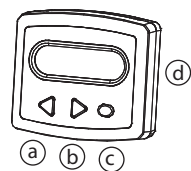
For cases where there are clearance problems, use the included **extension** (8). Insert the extension into the **RoadTrip** (4) by gently twisting clockwise until it clicks into place. Then connect the **power plug** (6) to the extension. Your RoadTrip is now ready to use.

### USING THE ASSEMBLED CHARGER

1. Plug the assembled unit into your vehicle's cigarette lighter/power outlet. The **LED** (9) will show green to indicate connection to power.
2. Insert your iPod into the RoadTrip (see **Preparing the iPod**). The LED will change to red when charging is in progress. When the iPod battery is fully charged, the LED will change to green.
3. If your vehicle's cigarette lighter/power outlet is too large for the power plug connection, use the included **sleeve adapter** (7).
4. Your iPod will now charge as long as

### USING THE FM DIGITAL TRANSMITTER (first time use)

First, connect the FM Transmitter to the **RoadTrip** (4). Press the **Quick Key** (c) on the **FM Transmitter** (5). The display will show the letters **OK** for 3-5 seconds.



### FM Digital Transmitter

- a. Frequency Down
- b. Frequency Up
- c. Quick Key
- d. Display

1. The display will then show the pre-set radio frequency. From now on, the display will show the **last used frequency** when you connect it to power.
2. Insert your iPod into the RoadTrip (see **Preparing the iPod**).
3. Turn on your radio, reduce the volume to 10-20%, and tune the radio to a frequency that's not being used. **The ideal frequency will have nothing but static** - no music or talk - and it's even better if the surrounding frequencies are unused also.
4. Adjust the Transmitter to the same frequency you selected on your radio. When the Transmitter and the radio are set to the same frequency, the radio will mute and you won't hear static.

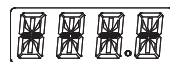
### Tuning

To increase or decrease channels quickly, press the **Quick Key** and either **Frequency** key. Holding down either Frequency key slightly longer will change the frequency faster.

5. Play a song on your iPod, and adjust the radio's volume. The Transmitter will memorize the last frequency you use, and will be set to that frequency when you connect again.

### To turn off the FM Transmitter

Press and hold the **Quick Key** for 2-3 seconds. The display will show four dashes and then power off.



Though the FM Transmitter does not draw much power, it should be turned off when not in use.

### USING ROADTRIP AS A DESKTOP FM TRANSMITTER

RoadTrip can be used as a stand-alone transmitter for any desktop or laptop computer. Use it to send music from your laptop to your home stereo or even wireless FM headphones.

To use the RoadTrip with your computer simply disconnect the **FM Transmitter module** (5) from the **RoadTrip body** (4). Connect the **USB/Audio cable** (10) to the **module** and then to the USB port and headphone jack on your computer. You can then tune the RoadTrip to broadcast to any empty FM frequency on your stereo - just as you would in the car.

### TROUBLESHOOTING

If your RoadTrip stops functioning:

- Check to see if the fuse in the power plug is broken. If it is, simply replace the fuse. They can be found at your local electronics store.
- If the fuse is good, check the power source.

### Griffin Technology Tech Support

support@griffintechnology.com  
615-399-7000 (M-F 9-6 CST)

### TECHNICAL SPECIFICATIONS

- Charges the iPod
- Compatible with 3rd generation iPod and iPod mini.
- Extension Power Plug available for easy reach in any car
- LCD Digital Display on FM Transmitter
- Input Voltage: DC+12V ~ +16V.
- Current: 2A (max)
- Output RF range: 88.1 MHz ~ 107.9 MHz.
- Radio Frequency Adjustment: 0.1MHz / Per step.
- Radio Frequency Response: 50 Hz ~ 15 KHz

GRIFFIN

© 2004 Griffin Technology  
www.griffintechnology.com • Made in Taiwan

## Free Manuals Download Website

<http://myh66.com>

<http://usermanuals.us>

<http://www.somanuals.com>

<http://www.4manuals.cc>

<http://www.manual-lib.com>

<http://www.404manual.com>

<http://www.luxmanual.com>

<http://aubethermostatmanual.com>

Golf course search by state

<http://golfingnear.com>

Email search by domain

<http://emailbydomain.com>

Auto manuals search

<http://auto.somanuals.com>

TV manuals search

<http://tv.somanuals.com>