

READ BEFORE USE
LIRE AVANT UTILISATION
LEA ANTES DE USAR

Visit hamiltonbeach.com for delicious recipes, tips, and to register your product online!



Consultez hamiltonbeach.ca pour de délicieuses recettes, des conseils pratiques et pour enregistrer votre produit !

¡Visite hamiltonbeach.com.mx para recetas deliciosas, consejos, y para registrar su producto en línea!

Questions?

Please call us – our friendly associates are ready to help.
USA: 1.800.851.8900

Questions ?

N'hésitez pas à nous appeler – nos associés s'empresseront de vous aider.
CAN: 1.800.267.2826

¿Preguntas?

Por favor llámenos – nuestros amables representantes están listos para ayudar.

MEX: 01 800 71 16 100

Le invitamos a leer cuidadosamente este instructivo antes de usar su aparato.

**Hamilton
Beach®**

Espresso Maker
Machine à café espresso
Cafetera de espresso



English	2
Français	15
Español	28

IMPORTANT SAFEGUARDS

When using electrical appliances, basic safety precautions should always be followed to reduce the risk of fire, electric shock, and/or injury to persons, including the following:

1. Read all instructions.
2. Do not touch hot surfaces. Use handles or knobs. Care must be taken, as burns can occur from touching hot parts or from spilled, hot liquid.
3. To protect against electric shock, do not place cord, plug, or appliance in water or other liquid.
4. Close supervision is necessary when any appliance is used by or near children.
5. Unplug from outlet when the espresso maker is not in use and before cleaning. Unplug and allow to cool before putting on or taking off parts and before cleaning the appliance.
6. Appliance must be operated on a flat surface away from the edge of counter to prevent accidental tipping.
7. Do not operate any appliance with a damaged cord or plug, or after the appliance malfunctions or is dropped or damaged in any manner. Call our toll-free customer service number for information on examination, repair, or adjustment.
8. The use of accessory attachments not recommended by the appliance manufacturer may result in fire, electrical shock, or personal injury.
9. Do not use outdoors.
10. Do not let cord hang over edge of table or counter or touch hot surfaces, including stove.
11. Be certain filter holder is securely in place when brewing espresso. Scalding may occur if the filter holder is removed during the brewing cycle.
12. Do not place appliance on or near a hot gas or electric burner or in a heated oven.
13. Always plug cord into the wall outlet before turning on any controls. To disconnect appliance, turn controls to OFF and then remove plug from wall outlet.
14. **WARNING:** To reduce the risk of fire or electric shock, do not remove the bottom cover. No user-serviceable parts are inside. Repair should be done by authorized service personnel only.
15. Do not use appliance for other than intended use.

SAVE THESE INSTRUCTIONS!

OTHER CONSUMER SAFETY INFORMATION

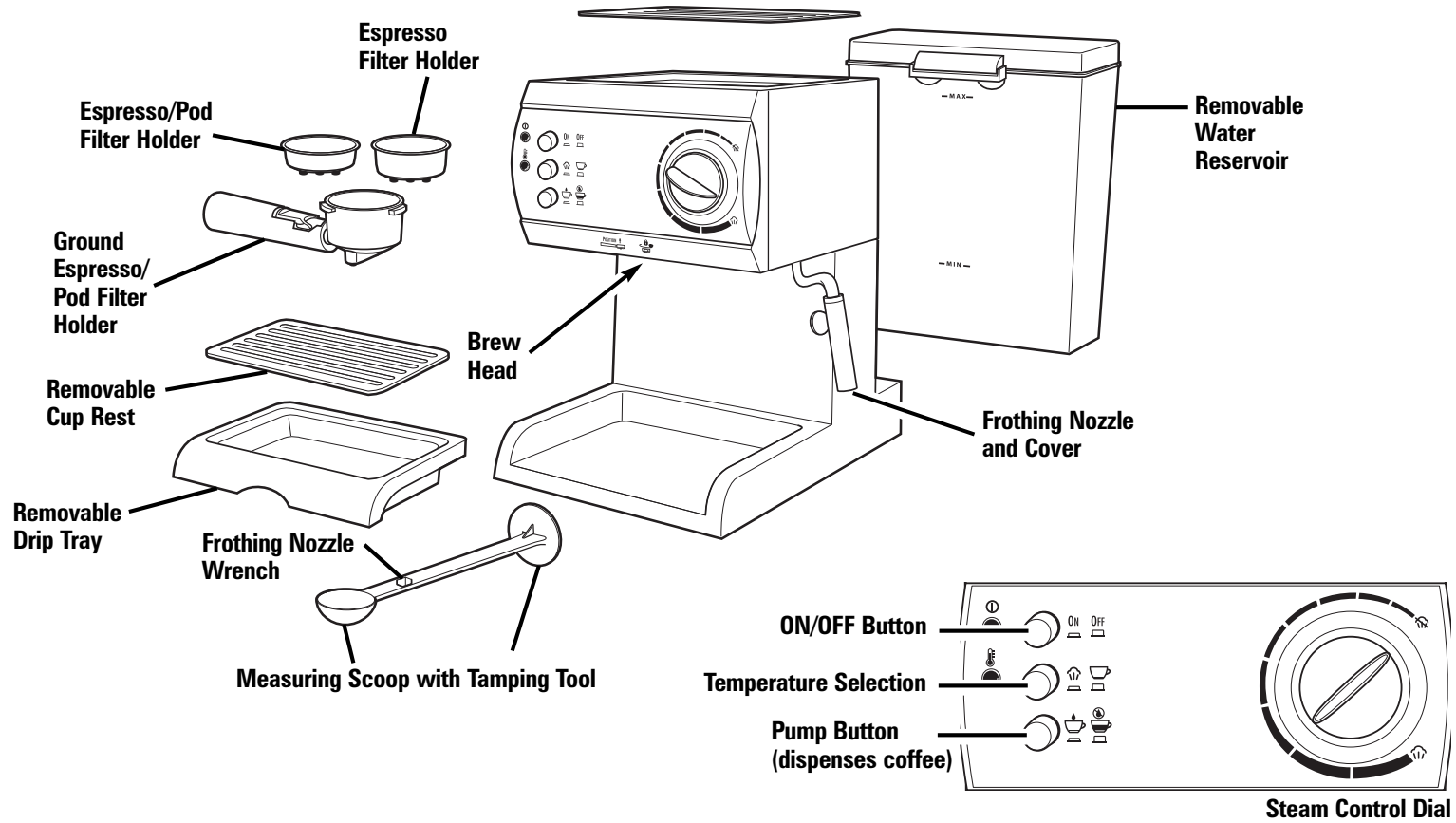
This product is intended for household use only.

WARNING! Shock Hazard: This appliance has a polarized plug (one wide blade) that reduces the risk of electric shock. The plug fits only one way into a polarized outlet. Do not defeat the safety purpose of the plug by modifying the plug in any way or by using an adapter. If the plug does not fit, reverse the plug. If it still does not fit, have an electrician replace the outlet.

2

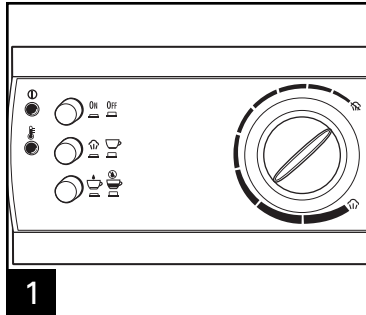
The length of the cord used on this appliance was selected to reduce the hazards of becoming tangled in or tripping over a longer cord. If a longer cord is necessary, an approved extension cord may be used. The electrical rating of the extension cord must be equal to or greater than the rating of the appliance. Care must be taken to arrange the extension cord so that it will not drape over the counter-top or tabletop where it can be pulled on by children or accidentally tripped over.

Parts and Features

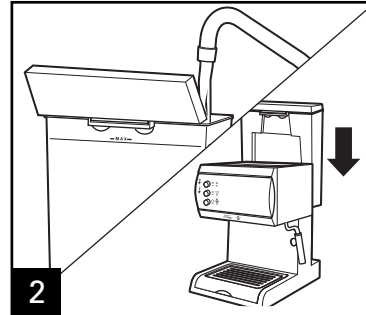


Before First Use *(Priming the Pump)*

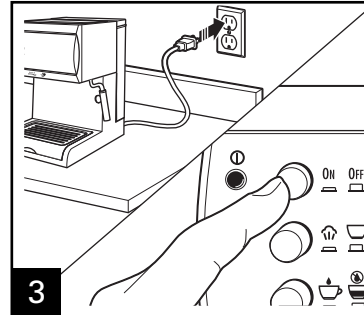
Wash all removable parts in warm, soapy water. No parts may be washed in a dishwasher. The water pump must be "primed" before first use to work properly. Operating without water in the reservoir can permanently damage the appliance.



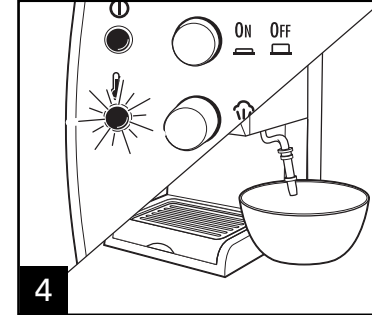
1 Make sure all three buttons are in the OFF position (not pushed in) and that the steam control dial is turned fully clockwise to NO STEAM.



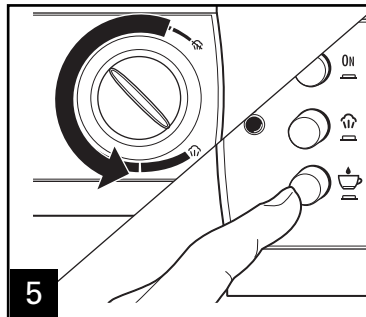
2 Fill the removable water reservoir to the MAX fill line with cold water and replace securely on the back of unit.



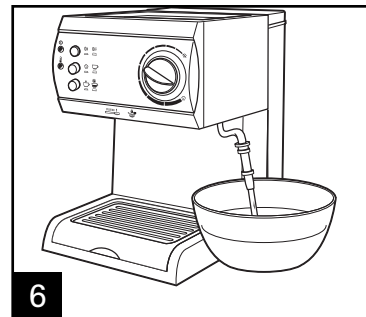
3 Plug in the unit and press ON/OFF button to turn unit on.



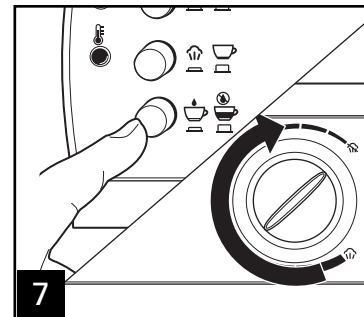
4 When unit is ready, the light next to the temperature control button will glow green. Place an empty container under frothing nozzle so that nozzle is completely inside container.



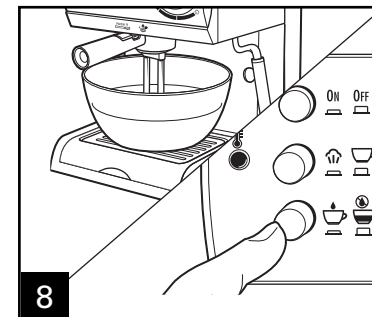
5 Turn the steam control dial counter-clockwise to STEAM. Press pump button to pump hot water out of frothing wand for cleaning purposes.



6 Fill the container about halfway full. **NOTE:** The green light next to temperature selection button will turn off once pump button is pushed.

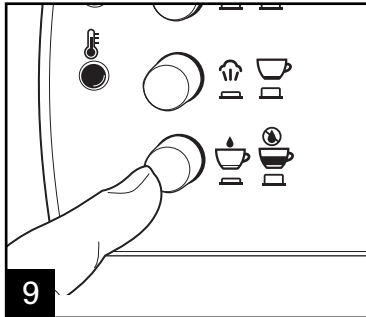


7 Press pump button again to turn frothing nozzle off; then turn steam control dial clockwise to NO STEAM.

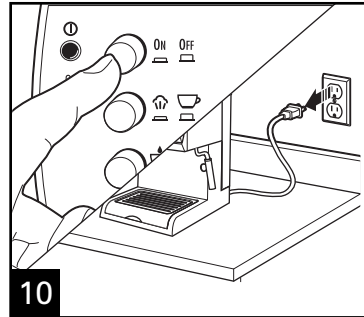


8 Place a container under brew head—it should be wide enough to catch water from both spouts. Press pump button and dispense any remaining water from reservoir.

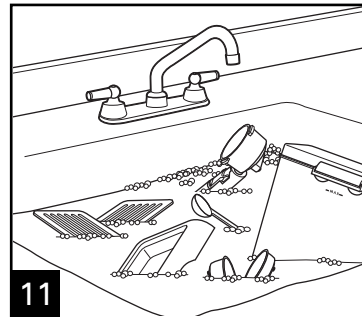
Before First Use (cont.)



9 Press pump button again to turn off.

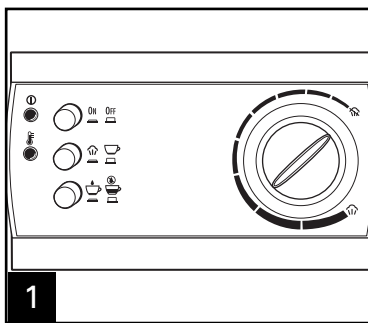


10 Press ON/OFF button to turn the unit off. The light next to the button will turn off. Unplug the unit.

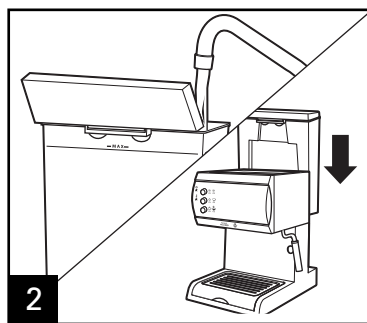


11 Wash all parts again with warm, soapy water and dry thoroughly. **WARNING! Shock Hazard.** Do not immerse machine, cord, or plug in water or any other liquid. See *Cleaning* section on page 11 for full instructions.

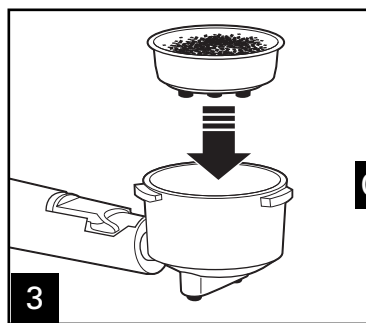
How to Use



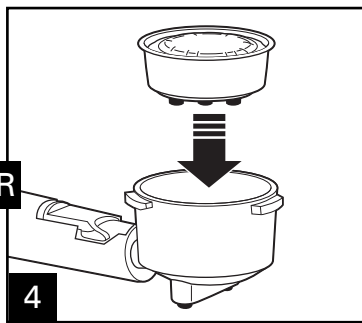
1 Make sure all three buttons are in the OFF position (not pushed in) and that the steam control dial is turned fully clockwise to NO STEAM.



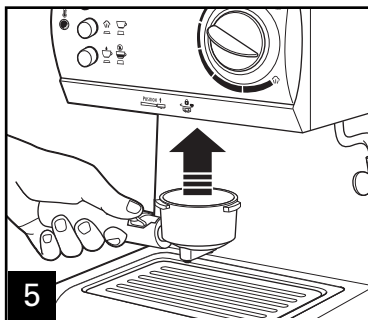
2 Fill the removable water reservoir with desired amount of cold water and replace securely on the back of unit.



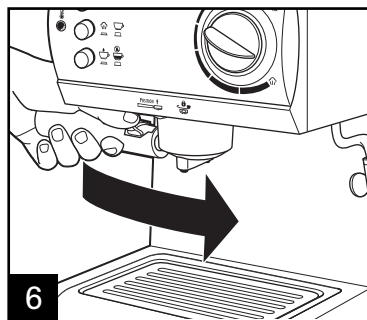
3 Align raised dimple on the exterior of espresso/pod filter holder with cutout notch on inside of filter holder. Rotate espresso/pod filter holder 180° to secure in base. Place ground espresso holder into filter holder. Add one tablespoon of ground espresso for each cup being made. Use shallow holder for 1 cup and deep holder for 2 cups. Press grounds firmly into holder with tamping tool.



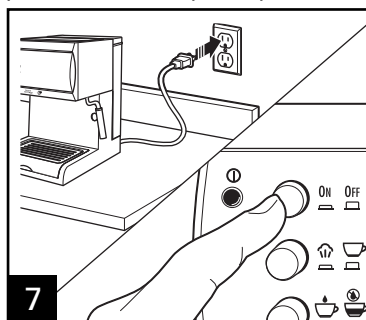
4 Place pod into filter holder. When using single-serve pod, always use the shallower espresso/pod filter holder. Never put two pods in either filter holder at one time.



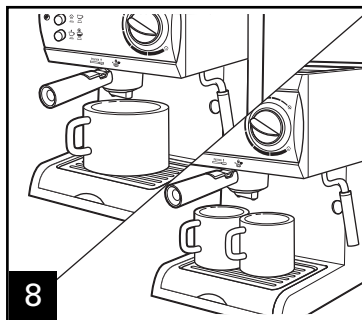
5 Holding handle securely, insert filter holder into brew head with handle pointing left. Ensure no grounds are on rim of filter holder.



6 Rotate the filter holder to the right until it is firmly locked into place.

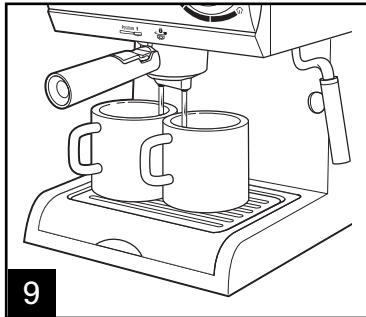


7 Plug in and press ON/OFF button to turn unit on. When ready, the light next to the temperature control button will glow green.

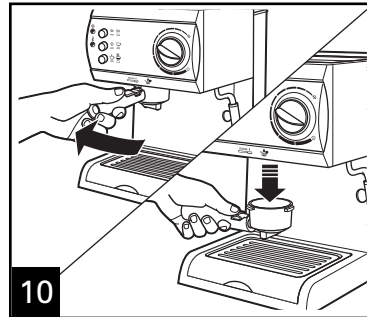


8 Place one or two cups under brew head spouts. If using one cup, use one wide enough to catch espresso from both spouts.

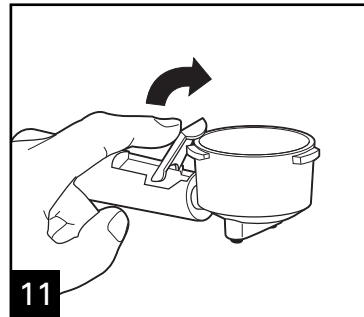
How to Use *(cont.)*



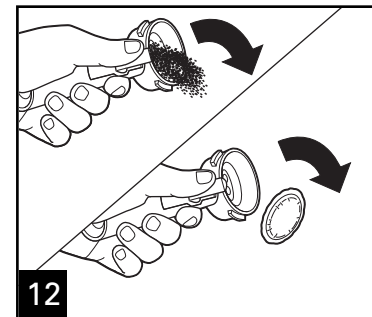
Press pump button to begin the flow of espresso; press pump button again to stop the flow. As espresso dispenses, it will gradually look lighter in color. Allow espresso to drip from filter holder for 15-20 seconds before removing cup(s).



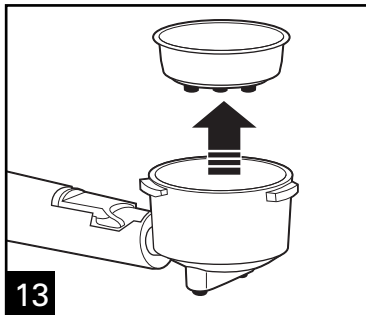
Wait about 1 minute before removing filter holder from machine to allow espresso grounds and excess water still flowing through the pump to finish. **NOTE:** Some water may continue to drip intermittently from brew head. This is normal and a result of product operation.



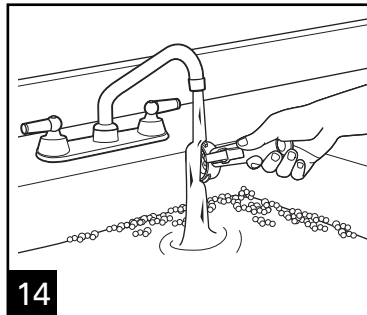
To empty espresso grounds and/or an espresso pod from the filter holder, flip the plastic lever located on the handle of the filter holder and hold the lever open.



Keeping thumb on handle lever, dispose of espresso grounds and/or pod filter.



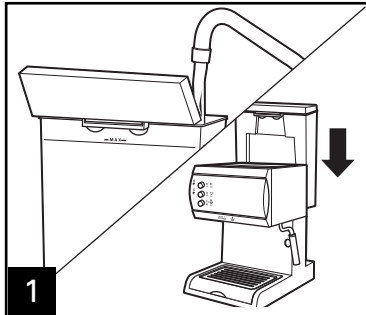
Ensure filter holder is cool. Align raised dimple on espresso/pod filter holder with cutout notch in filter holder base; then remove.



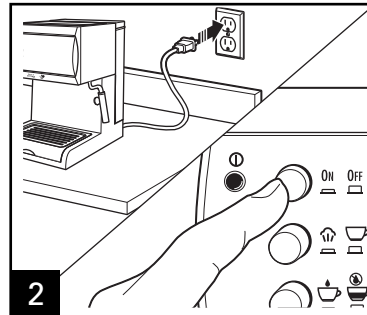
Clean filter holder and brew head after each use. See *Cleaning* instructions on page 11. **DO NOT** allow grounds to remain in filter holder; this can clog filter holder and cause unit to malfunction.

How to Steam Milk

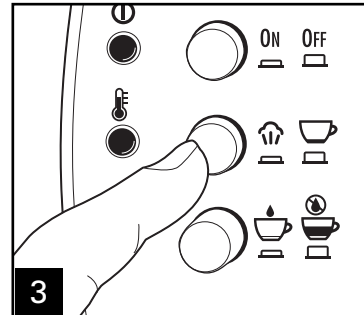
⚠ WARNING Burn Hazard. Vapor and water emitted from frothing nozzle are hot.



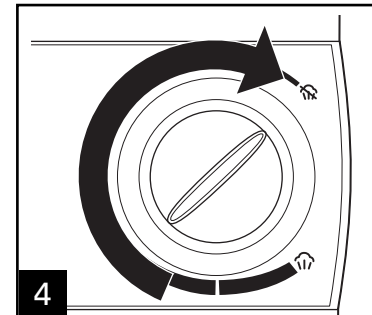
1 Ensure there is water in the removable water reservoir and move the frothing nozzle to the right of the unit.




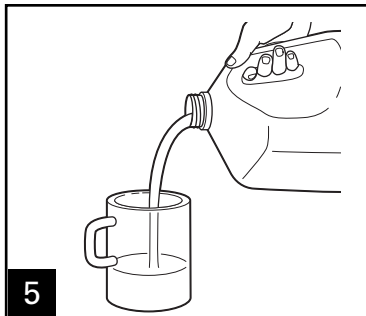
2 Plug unit in; press ON/OFF button to begin heating water. When heated, the light next to temperature selection button will glow.



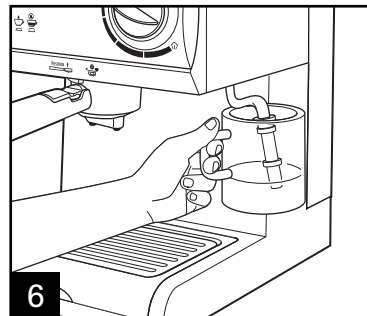
3 Press the temperature selection button.



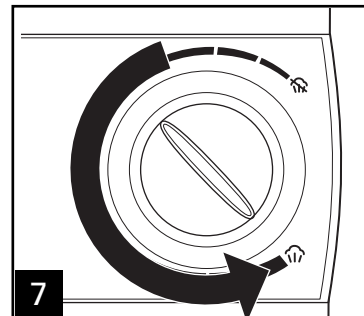
4 Turn the steam control dial to NO STEAM position .



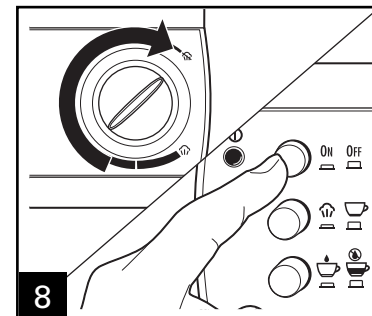
5 Fill a metal or ceramic cup 1/3 full with cold milk. A stainless steel cup and skim milk are recommended.

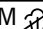


6 Hold cup underneath frothing nozzle, leaving about 1/4 to 1/2 inch between the nozzle and the bottom of the cup.

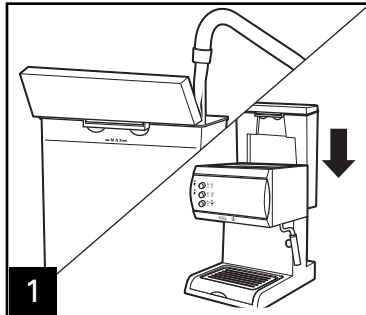


7 Turn steam control dial counterclockwise to open steam valve. Milk is steamed when cup becomes warm. **NOTE:** After each time steaming and to prevent clogging nozzle, hold a cup with water under nozzle and "steam" into the cup to clean.

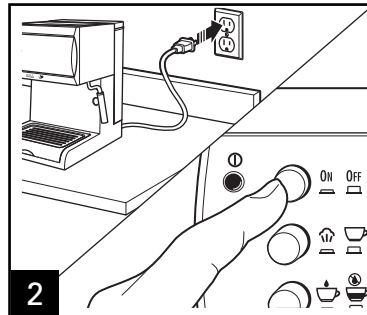


8 Turn steam control dial to NO STEAM . Press ON/OFF button (light will go out); then press temperature selection button again to turn off steam temperature. Unplug unit from outlet. Clean the frothing nozzle after each use.

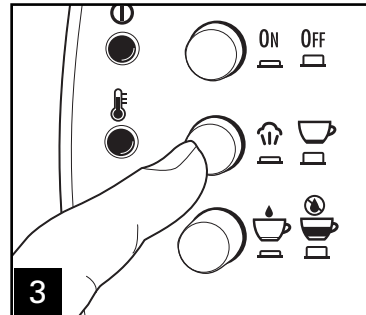
How to Froth Milk



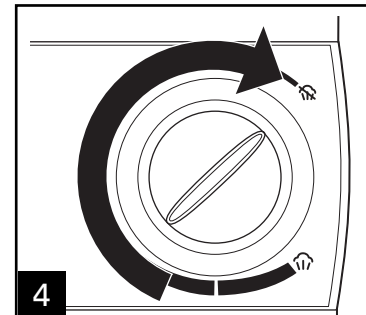
1 Ensure there is water in the removable water reservoir and move the frothing nozzle to the right of the unit.




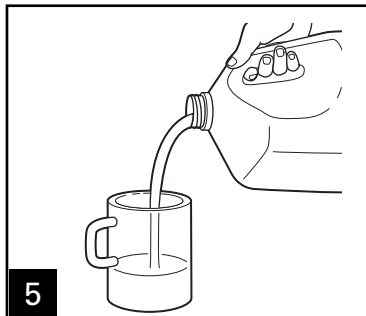
2 Plug unit in; press ON/OFF button to begin heating water. When heated, the light next to temperature selection button will glow.



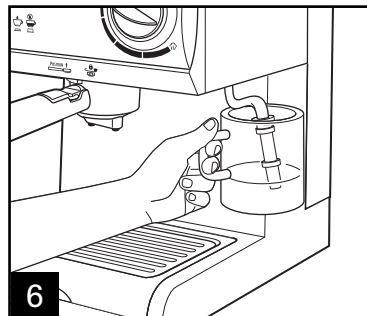
3 Press the temperature selection button.



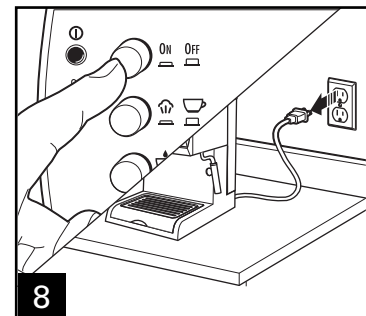
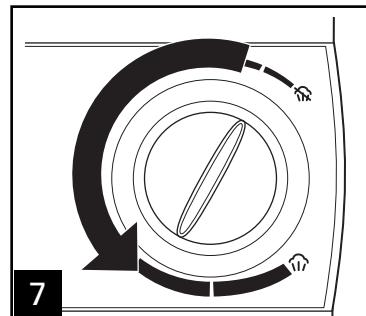
4 Turn the steam control dial clockwise to NO STEAM .

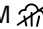


5 Fill a metal or ceramic cup 1/3 full with cold milk. A stainless steel cup and skim milk are recommended.



6 Hold cup underneath frothing nozzle, leaving about 1/4 to 1/2 inch between the nozzle and the bottom of the cup. Rotate steam control dial about 3/4 turn toward steam. Hold cup under frothing nozzle until desired consistency is reached. Froth should be stiff and scoopable with a spoon.



8 Turn steam control dial to NO STEAM . Press ON/OFF button (light will go out); then press temperature selection button again to turn off steam temperature. Unplug unit from outlet. Clean the frothing nozzle after each use.

Recipes

Espresso	Brew one or two cups at a time following directions. Optional: Add sugar to taste.
Cappuccino	Mix 1/3 espresso, 1/3 steamed milk, and 1/3 frothed milk. Top with ground nutmeg, ground cinnamon, powdered chocolate, or vanilla to taste.
Latte	Mix 1/2 espresso with 1/2 steamed milk. Top with ground nutmeg, ground cinnamon, powdered chocolate, or vanilla to taste.
Iced espresso, cappuccino, or latte	Mix beverage as described above; then pour over ice.
Mocha	Mix 1 ounce thick chocolate syrup with 1/3 espresso. Fill with frothed or steamed milk.

Visit hamiltonbeach.com for delicious recipes, tips, and to register your product online!

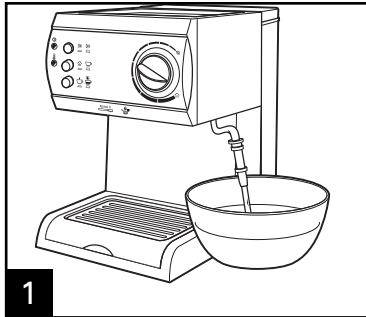



Cleaning

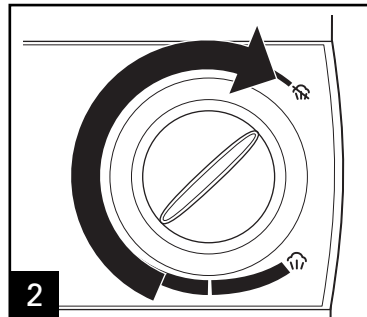
⚠ WARNING

Electrical Shock Hazard.

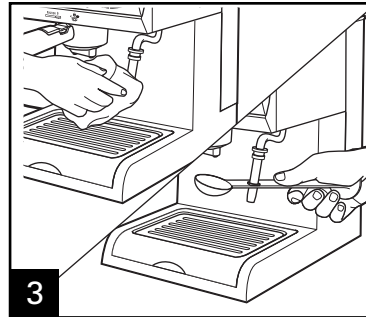
Disconnect power before wiping exterior of unit or brew head. Do not immerse cord, plug, or base in any liquid.



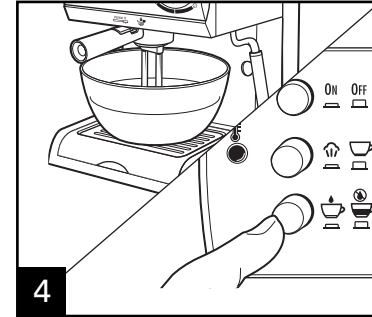
Turn steam dial to STEAM  and empty any remaining liquid from frothing nozzle into container/cup of water.



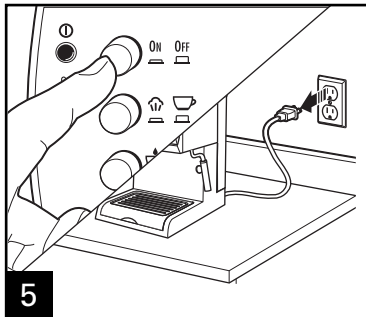
Turn steam control knob clockwise to NO STEAM .



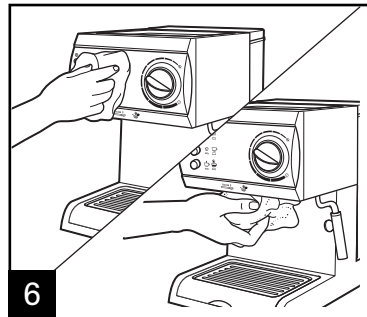
Wipe nozzle. **Every other use:** Remove nozzle tip with wrench on tamping tool and wash in warm, soapy water.



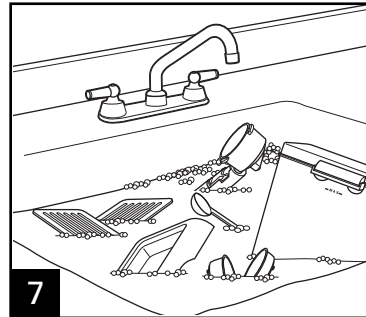
Place a container under brew head—it should be wide enough to catch water from both spouts. Press pump button and dispense at least 1 cup of water for best results.



Press ON/OFF button to turn the unit off. The light next to the button will turn off. Unplug the unit.



Wipe exterior and brew head with warm water and damp cloth carefully—nozzle may still be hot.



Wash all parts with warm, soapy water and dry thoroughly. **DO NOT** wash any parts in a dishwasher.

Tips for Making Espresso

- For best results, use fresh-ground, dark, espresso roast coffee.
- If espresso **preground** coffee is used, store the unused portion in an airtight container and keep in a cool, dark area for up to one week.
- The grind of the coffee will affect the taste of the coffee and how the appliance works. If the grind is too coarse, water will flow too fast through the coffee and result in a weaker flavor. If the grind is too fine, the flavor may be too strong or bitter, and the grounds may clog the filter.
- For hotter espresso, preheat the filter holder, the ground espresso filter, and the pod filter by first brewing water into the cups for a few seconds and then emptying the brewed water. **CAUTION:** The filter holder, ground espresso filter, and pod filter are hot.
- Espresso beans may be ground in a **coffee grinder**. For best results, use the Hamilton Beach Custom Grind™ coffee grinder on the espresso setting. If grinding espresso in a store or using a burr mill, then use a setting that is one to two notches coarser than the espresso setting.
- Grind your espresso so that it looks gritty, like salt or sand. It is too fine if it looks like powder and feels like flour. If the coffee is ground too fine, then the water will not flow through the coffee.
- Espresso pods make it even easier to brew a great cup of espresso and cleanup is as easy as throwing out the used pod. Pods can be purchased at many local coffee houses and specialty housewares stores. A Web search for “coffee pods” will also connect you with many coffee pod suppliers.
- Always use cold water to make coffee. Warm water or other liquids could cause damage to the appliance.

Troubleshooting

POTENTIAL PROBLEM	PROBABLE CAUSE
Espresso will not flow out.	<ul style="list-style-type: none">• Is the water reservoir empty?• Is the water reservoir properly fitted into position?• Make sure that the coffee grounds are not overpacked in the filter.• Is filter holder properly fitted into the espresso maker?• Clean the filter, filter holder, and brew head.
Machine is noisy when operating.	<ul style="list-style-type: none">• Is the water reservoir empty?• Is the water reservoir properly fitted into position?• Is the filter holder properly fitted into position?
Espresso is too weak.	<ul style="list-style-type: none">• Always use fresh espresso ground coffee and tamp the ground coffee down firmly.• The longer the brew time, the weaker the espresso (1 serving = 1 to 1-1/2 ounces).• Be sure there is sufficient ground coffee in the filter.• Coffee grounds are too coarse.• Try a different brand or roast of coffee.
Espresso is too strong or bitter.	<ul style="list-style-type: none">• Ensure steam control dial is OFF. If the steam control dial was left on, the water may have been too hot. Rotate steam control dial counterclockwise to release steam into a frothing cup or pitcher and allow appliance to cool. Then repeat steps in the section <i>How to Use</i>.• Too much espresso ground was used.• Grounds were too fine.• Brew longer before pressing espresso button to OFF.• Try different a different brand or roast of coffee.• Use the Hamilton Beach Custom Grind™ coffee grinder.
Difficult to froth milk.	<ul style="list-style-type: none">• Always use fresh, cold milk (skim milk is recommended).• Use a cold, stainless steel cup and move the cup slightly up and down while frothing.• Clean the frothing nozzle.• Make sure that the steam button is depressed and that the temperature/ready light is on.• Trying to froth too much milk; reduce amount of milk in cup.
Steam runs out too quickly.	<ul style="list-style-type: none">• Reprime the pump. See <i>Before First Use</i> on page 4.

Limited Warranty

This warranty applies to products purchased in the U.S. and Canada. This is the only express warranty for this product and is in lieu of any other warranty or condition.

This product is warranted to be free from defects in material and workmanship for a period of one (1) year from the date of original purchase. During this period, your exclusive remedy is repair or replacement of this product or any component found to be defective, at our option; however, you are responsible for all costs associated with returning the product to us and our returning a product or component under this warranty to you. If the product or component is no longer available, we will replace with a similar one of equal or greater value.

This warranty does not cover glass, filters, wear from normal use, use not in conformity with the printed directions, or damage to the product resulting from accident, alteration, abuse or misuse. This warranty extends only to the original consumer purchaser or gift recipient. Keep the original sales receipt, as proof of purchase is required to make a warranty claim. This warranty is void if the product is used for other than single-family household use.

We exclude all claims for special, incidental and consequential damages caused by breach of express or implied warranty. All liability is limited to the amount of the purchase price. **Every implied warranty, including any statutory warranty or condition of merchantability or fitness for a particular purpose, is disclaimed except to the extent prohibited by law, in which case such warranty or condition is limited to the duration of this written warranty.** This warranty gives you specific legal rights. You may have other legal rights that vary depending on where you live. Some states or provinces do not allow limitations on implied warranties or special, incidental or consequential damages, so the foregoing limitations may not apply to you.

To make a warranty claim, do not return this appliance to the store. Please call 1.800.851.8900 in the U.S. or 1.800.267.2826 in Canada or visit hamiltonbeach.com in the U.S. or hamiltonbeach.ca in Canada. For faster service, locate the model, type, and series numbers on your appliance.

CONSEILS DE SÉCURITÉ IMPORTANTS

Au moment d'utiliser des appareils électriques, on doit toujours respecter les règles de sécurité élémentaires afin de minimiser les risques d'incendie, d'électrocution et des blessures, notamment celles qui suivent :

1. Lire toutes les instructions.
2. Ne pas toucher les surfaces chaudes. Utiliser les poignées ou les boutons. Prendre toutes les précautions nécessaires pour éviter les brûlures causées par les surfaces chaudes, les déversements et le liquide chaud.
3. Pour éviter les risques d'électrocution, ne pas immerger le cordon ou la fiche ou l'appareil dans l'eau ou tout autre liquide.
4. L'utilisation de tout appareil par ou près des enfants exige une surveillance accrue.
5. Débrancher la cafetière espresso lorsqu'elle n'est pas en service ou avant de la nettoyer. Débrancher et laisser refroidir l'appareil avant d'installer ou de retirer des pièces et avant de le nettoyer.
6. L'appareil doit être utilisé sur une surface plane et loin du rebord du comptoir pour prévenir les balancements accidentels.
7. Ne pas utiliser aucun appareil dont le cordon ou la prise est endommagé, ou toutes anomalies de fonctionnement de l'appareil, une chute ou tout autre dommage quel qu'il soit. Appeler la ligne sans frais du Service à la clientèle pour plus d'information à propos d'une vérification, réparation ou réglage.
8. Pour éviter les risques d'incendies, d'électrocution ou de blessure, ne pas utiliser d'accessoires non recommandés par le fabricant.
9. Ne pas utiliser à l'extérieur.
10. Ne pas laisser pendre le cordon de la table ou du comptoir et éviter tout contact avec les surfaces chaudes incluant la cuisinière.
11. S'assurer que le porte-filtre est bien en place avant de commencer l'infusion d'espresso. Des risques de brûlures peuvent survenir si le porte-filtre est retiré pendant le cycle d'infusion.
12. Ne pas placer cet appareil sur ou près d'une cuisinière électrique ou à gaz ou dans un four chaud.
13. Toujours débrancher la fiche de la prise murale avant de tourner les commandes. Pour débrancher cet appareil, tourner les boutons de réglage à OFF (arrêt) puis débrancher la fiche de la prise murale.
14. AVERTISSEMENT : Pour éviter les risques d'incendie et d'électrocution, ne pas enlever le couvercle inférieur de la cafetière. Aucune pièce réparable à l'intérieur. Les réparations doivent être faites par un technicien agréé seulement.
15. N'utiliser cet appareil que pour les fonctions auxquelles il est destiné.

CONSERVER CES INSTRUCTIONS!

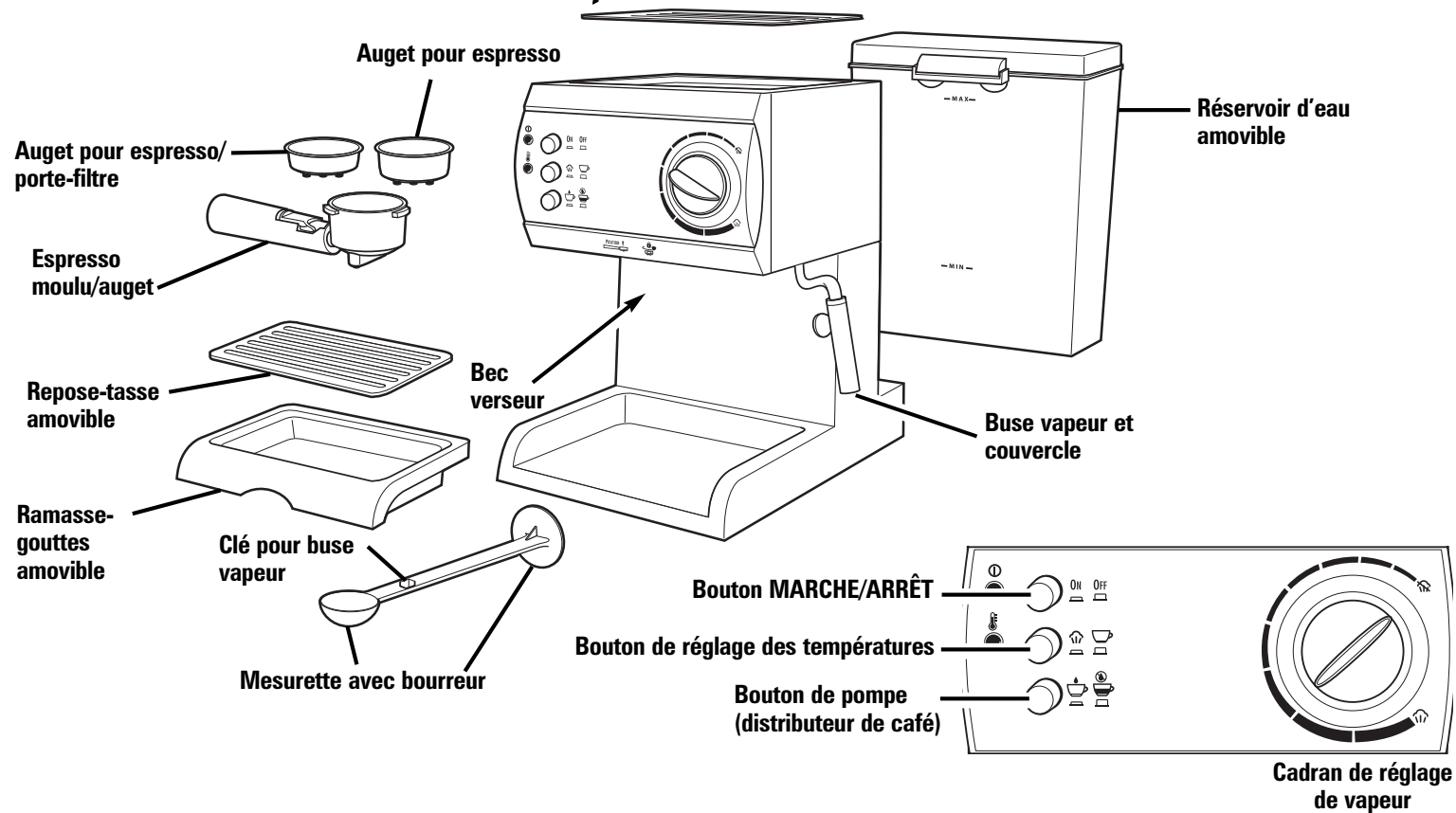
AUTRES CONSIGNES DE SÉCURITÉ POUR LE CONSOMMATEUR

Cet appareil est conçu pour une utilisation domestique seulement.

AVERTISSEMENT! Risque d'électrocution : Cet appareil est doté d'une fiche polarisée (lame large) qui réduit le risque d'électrocution. Cette fiche s'insère d'une seule manière dans une prise polarisée. Ne pas transformer le dispositif de sécurité de la fiche en modifiant celle-ci de quelque façon ou en utilisant un adaptateur. Si la fiche refuse de s'insérer, inversez-la. Si elle refuse toujours de s'insérer, faire remplacer la prise par un électricien.

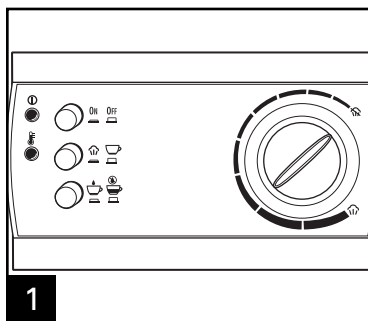
La longueur du cordon installé sur cet appareil a été sélectionnée afin de réduire les risques d'enchevêtrement ou de trébuchement causés par un fil trop long. L'utilisation d'une rallonge approuvée est permise, si le cordon est trop court. Les caractéristiques électriques de la rallonge doivent être équivalentes ou supérieures aux caractéristiques de l'appareil. Prendre toutes les précautions nécessaires pour installer la rallonge de manière à ne pas la faire courir sur le comptoir ou sur une table et pour éviter qu'un enfant ne tire sur le cordon ou trébuché accidentellement.

Pièces et caractéristiques

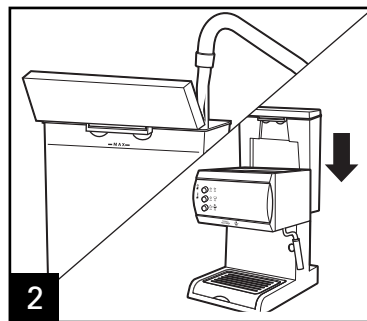


Avant la première utilisation *(Amorçage de la pompe)*

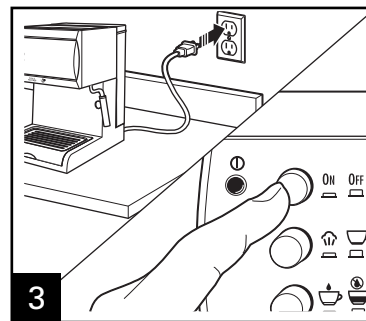
Laver toutes les pièces amovibles avec de l'eau chaude savonneuse. Aucune pièce lavable au lave-vaisselle.
La pompe à eau doit être « amorcée » avant la première utilisation pour un fonctionnement adéquat.
Le fonctionnement à vide du réservoir peut occasionner des dommages permanents à cet appareil.



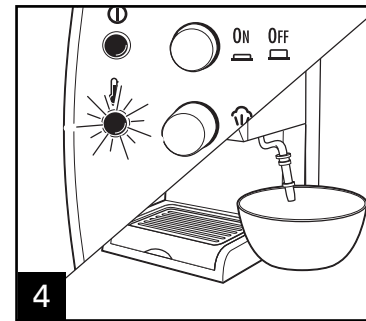
1 S'assurer que les trois boutons sont positionnés à OFF (arrêt) et que le cadran de réglage de vapeur est entièrement tourné dans le sens des aiguilles d'une montre à NO STEAM (pas de vapeur).



2 Remplir le réservoir d'eau amovible jusqu'à la ligne de remplissage maximale (MAX) avec de l'eau froide puis replacer fermement au dos de l'appareil.

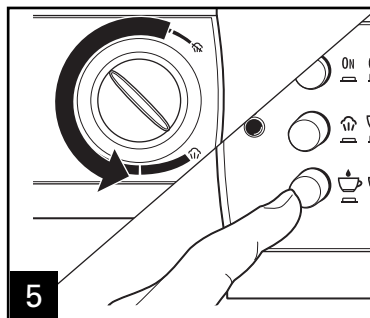


3 Brancher l'appareil et appuyer sur le bouton ON/OFF (mise en marche/arrêt) pour mettre l'appareil sous tension.

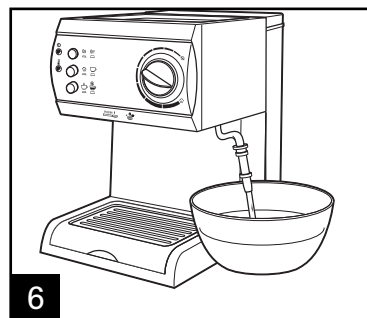


4 Lorsque l'appareil est prêt, le voyant vert situé près du bouton de réglage des températures s'illuminera. Placer un contenant vide sous la buse vapeur de manière à insérer complètement la buse vapeur à l'intérieur du contenant.

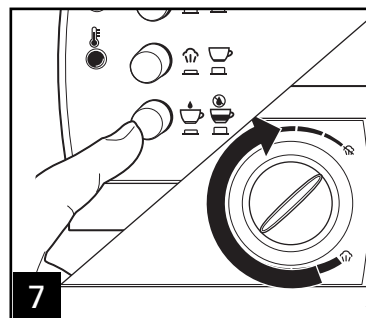
Avant la première utilisation (suite)



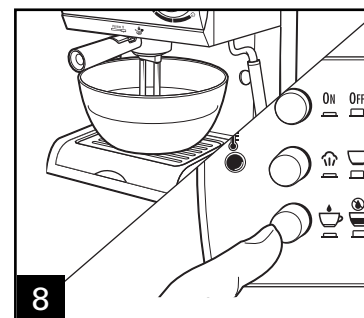
5 Tourner le cadran de réglage de vapeur dans le sens contraire aux aiguilles d'une montre pour la positionner à STEAM (vapeur). Appuyer sur le bouton de la pompe pour pomper l'eau chaude de la tige vapeur pour la nettoyer.



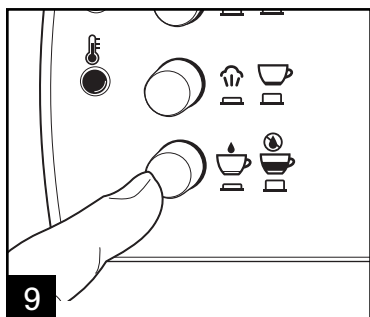
6 Remplir le contenant jusqu'à la moitié de sa capacité. **NOTE** : Le voyant vert situé près du bouton de réglage des températures s'éteindra dès que le bouton de la pompe est appuyé.



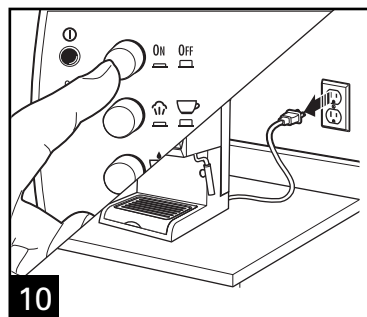
7 Appuyer à nouveau sur le bouton de la pompe pour arrêter la buse vapeur puis appuyer sur le cadran de réglage de vapeur dans le sens des aiguilles d'une montre jusqu'à NO STEAM (pas de vapeur).



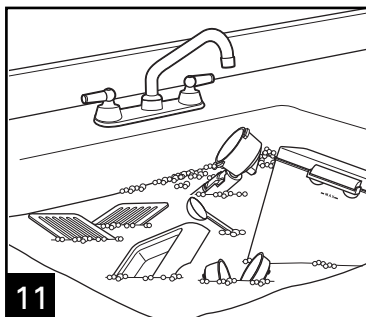
8 Placer le contenant assez large sous le bec verseur pour récupérer l'eau provenant des deux verseurs. Appuyer sur le bouton de la pompe et distribuer toute l'eau résiduelle du réservoir.



9 Appuyer à nouveau sur le bouton de la pompe pour l'arrêter.

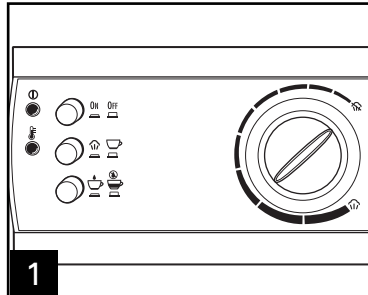


10 Appuyer sur le bouton ON/OFF (mise en marche/ arrêt) pour mettre l'appareil hors tension. Le voyant près du bouton s'éteindra. Débrancher l'appareil.

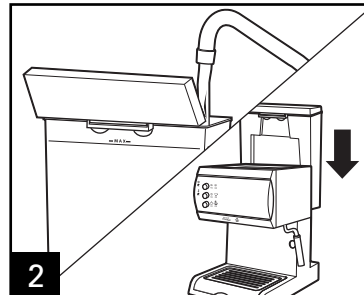


Laver à nouveau toutes les pièces avec de l'eau chaude savonneuse et assécher complètement.
AVERTISSEMENT! Risque d'électrocution. Ne pas immerger la cafetière, le cordon ou la fiche dans l'eau ou tout autre liquide. Voir toutes les instructions au chapitre « Nettoyage » à la page 24.

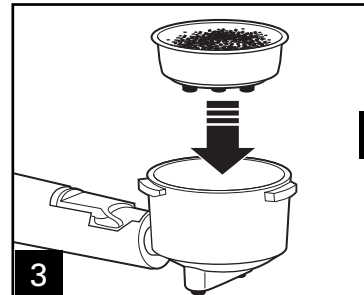
Utilisation



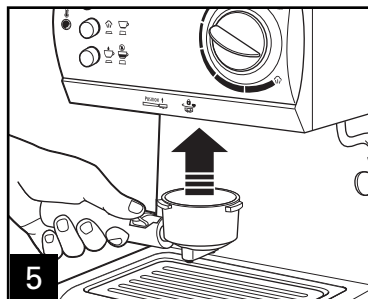
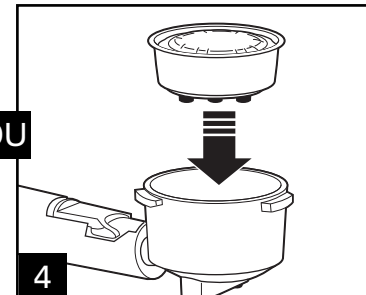
1 S'assurer que les trois boutons sont positionnés (non enfoncés) à OFF (arrêt) et que le cadran de réglage de vapeur est entièrement tourné dans le sens des aiguilles d'une montre à NO STEAM (pas de vapeur).



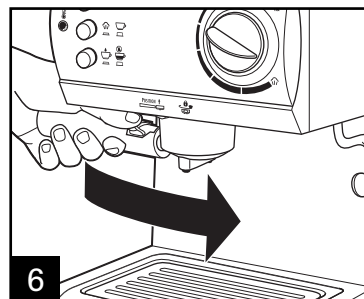
2 Remplir le réservoir d'eau amovible jusqu'à la quantité désirée avec de l'eau froide puis replacer fermement au dos de l'appareil.



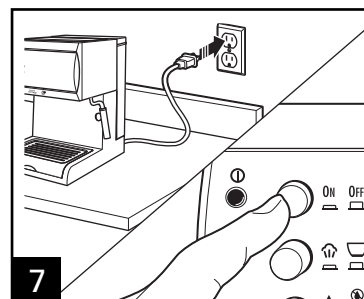
3 Aligner le bout soulevé sur l'extérieur de l'auge ou du porte-filtre avec l'encoche située à l'intérieur du porte-filtre. Tourner l'auge ou le porte-filtre sur 180 degrés pour le fixer solidement à la base. Placer le filtre d'espresso moulu dans le porte-filtre. Ajouter une mesurette d'espresso moulu par tasse à infuser. Utiliser le porte-filtre peu profond pour 1 tasse et le porte-filtre profond pour deux tasses. Presser fermement la mouture dans le filtre à l'aide du burreur. Placer l'auge dans le porte-filtre. Pour l'infusion d'une portion, toujours utiliser le porte-filtre peu profond. Ne jamais placer les deux filtres en même temps dans le porte-filtre.



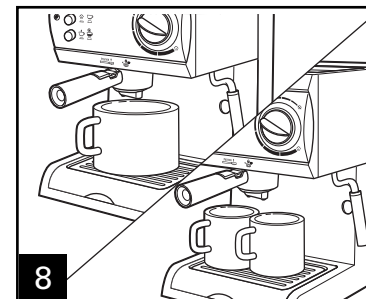
5 Tenir fermement la poignée puis insérer le porte-filtre au bec verseur en positionnant la poignée vers la gauche. S'assurer de retirer tous les grains du rebord du porte-filtre.



6 Tourner le porte-filtre vers la droite de l'appareil jusqu'à ce qu'il se fixe fermement en place.

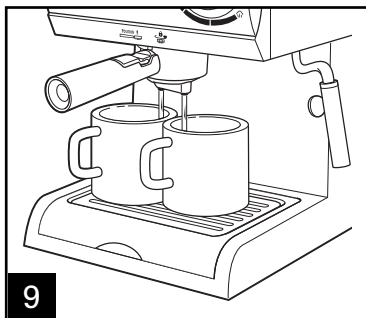


7 Brancher l'appareil et appuyer sur le bouton ON/OFF (mise en marche/arrêt) pour mettre l'appareil sous tension. Lorsque l'appareil est prêt, le voyant vert situé près du bouton de réglage des températures s'illuminera.

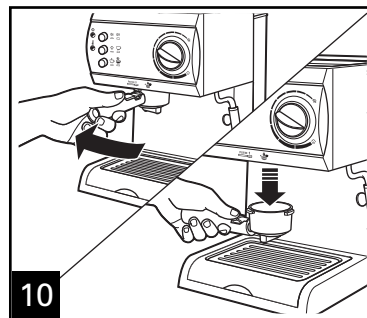


8 Placer une ou deux tasses sous les bacs verseurs. Pour l'utilisation d'une tasse, s'assurer que la tasse est suffisamment large pour attraper le café espresso qui s'écoule des deux bacs.

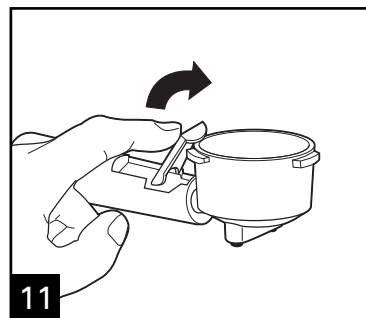
Utilisation (suite)



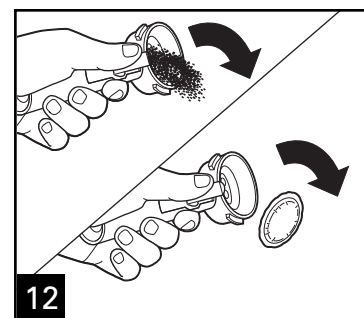
9 Appuyer sur le bouton de la pompe pour commencer l'infusion de l'espresso; appuyer à nouveau sur le bouton de la pompe pour interrompre le débit. Au début de la distribution de l'espresso, la couleur de l'infusion sera claire. Laisser écouler l'espresso du porte-filtre pendant 15 à 20 secondes avant de retirer la tasse.



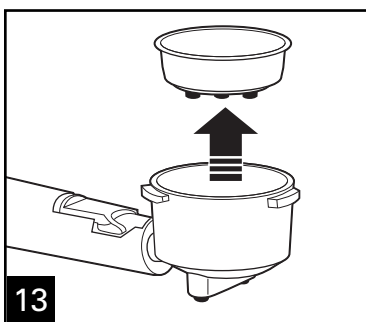
10 Attendre environ 1 minute avant de retirer le porte-filtre de l'appareil. Ceci permet l'écoulement de la mouture d'espresso et de l'excès d'eau résiduelle de la pompe.
NOTE : Des gouttes peuvent continuer de s'écouler irrégulièrement du bec verseur. Cet égouttement est normal pour ce genre d'appareil.



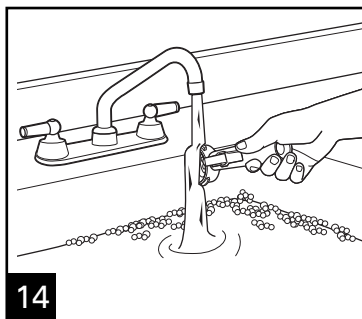
11 Pour vider la mouture d'espresso et l'auget d'espresso du porte-filtre, soulever le levier de plastique situé sur la poignée du porte-filtre et maintenir le levier soulevé.



12 Garder le pouce sur le levier de la poignée, jeter la mouture d'espresso et/ou l'auget.



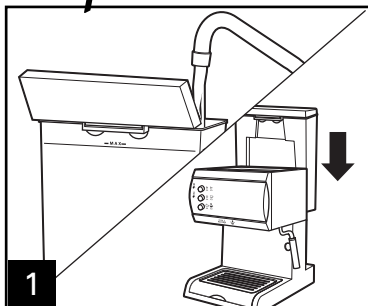
13 S'assurer que le porte-filtre est froid. Aligner le bout soulevé sur l'extérieur de l'auget ou du porte-filtre avec l'encoche de la base du porte-filtre puis retirer.



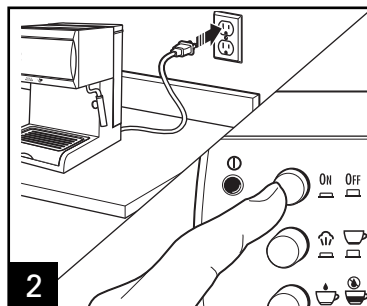
14 Nettoyer le porte-filtre et le bec verseur après chaque utilisation. Voir les instructions au chapitre « Nettoyage » à la page 24. **NE PAS** laisser la mouture dans le porte-filtre; ceci peut boucher le porte-filtre et provoquer un dysfonctionnement de l'appareil.

Vapeur de lait

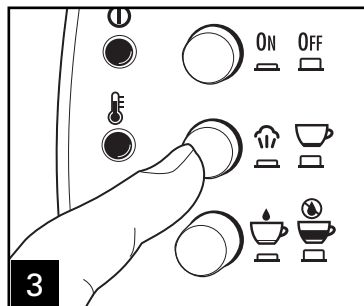
⚠ AVERTISSEMENT Risque de brûlure. La vapeur et l'eau qui s'échappent de la buse vapeur sont chaudes.



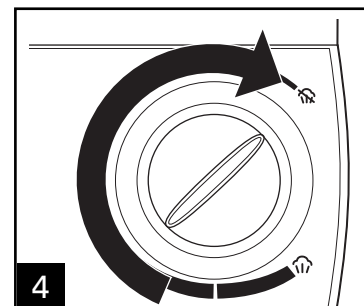
1 S'assurer que le réservoir d'eau amovible contient de l'eau et déplacer la buse vapeur vers la droite de l'appareil.



2 Brancher l'appareil; appuyer sur le bouton ON/OFF (mise en marche/arrêt) pour commencer le chauffage de l'eau. Lors que l'eau est chaude, le voyant situé près du bouton de réglage des températures s'illuminera.



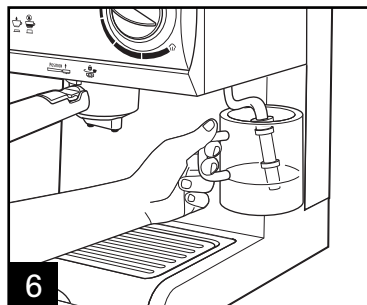
3 Appuyer sur le bouton de réglage des températures.



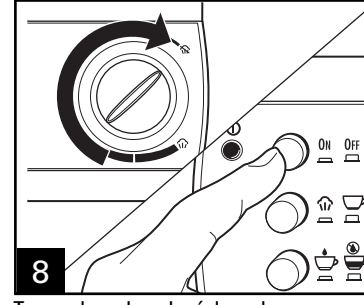
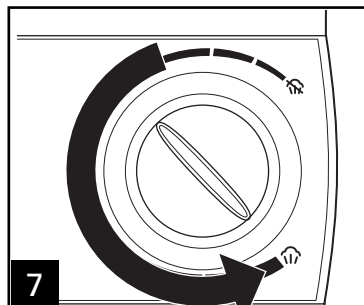
4 Tourner le cadran de réglage de vapeur vers la position NO STEAM (pas de vapeur).



5 Remplir le tiers d'une tasse métallique ou en céramique avec du lait froid. Une tasse en acier inoxydable et du lait écrémé sont recommandés.

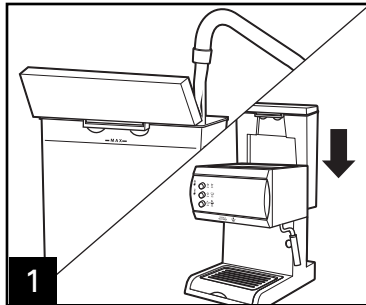


6 Tenir la tasse sous la buse vapeur en laissant un espace d'environ 6 à 12 mm (1/4 à 1/2 po) entre la buse et le fond de la tasse. Tourner le cadran de réglage de vapeur dans le sens contraire des aiguilles d'une montre pour ouvrir la soupape de vapeur. Le lait est étuvé lorsque la tasse devient chaude. **REMARQUE** : Après chaque émulsion, tenir une tasse contenant de l'eau sous la buse vapeur et « émulsionner » dans la tasse pour nettoyer afin de prévenir l'engorgement de la buse vapeur.

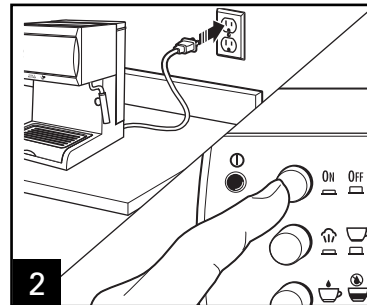


8 Tourner le cadran de réglage de vapeur vers NO STEAM (pas de vapeur). Appuyer sur le bouton ON/OFF (mise en marche/arrêt) (le voyant s'éteindra) puis appuyer à nouveau sur le bouton de réglage des températures pour éteindre le cycle de vapeur. Débrancher l'appareil de la prise. Nettoyer la buse vapeur après chaque utilisation.

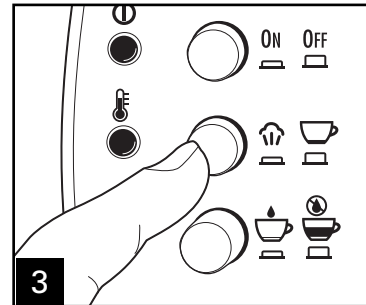
Émulsion de lait



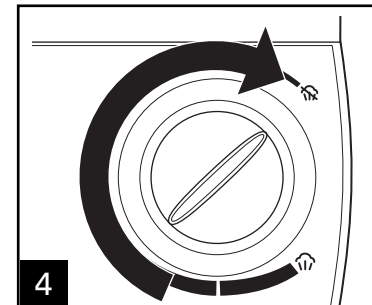
1 S'assurer que le réservoir d'eau amovible contient de l'eau et déplacer la buse vapeur vers la droite de l'appareil.



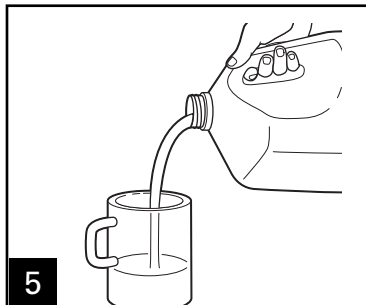
2 Brancher l'appareil; appuyer sur le bouton ON/OFF (mise en marche/arrêt) pour commencer le chauffage de l'eau. Lors que l'eau est chaude, le voyant situé près du bouton de réglage des températures s'illuminera.



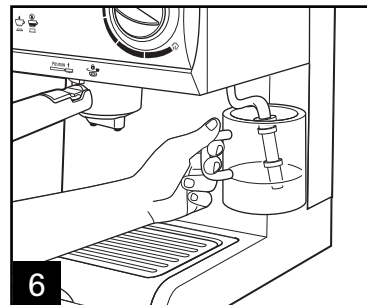
3 Appuyer sur le bouton de réglage des températures.



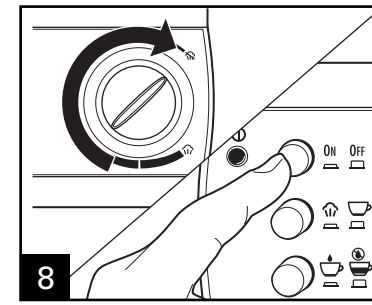
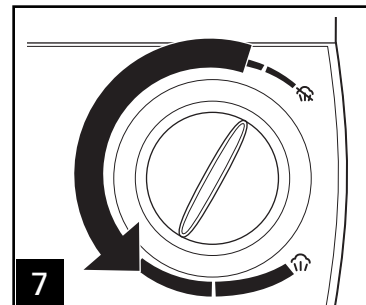
4 Tourner le cadran de réglage de vapeur dans le sens des aiguilles d'une montre vers NO STEAM (pas de vapeur).



5 Remplir le tiers d'une tasse métallique ou en céramique avec du lait froid. Une tasse en acier inoxydable et du lait écrémé sont recommandés.



6 Tenir la tasse sous la buse vapeur en laissant un espace d'environ 6 à 12 mm (1/4 à 1/2 po) entre la buse et le fond de la tasse. Tourner le cadran de réglage de vapeur sur environ 3/4 de tour vers STEAM (vapeur). Tenir une tasse sous la buse vapeur jusqu'à ce que la consistance désirée soit obtenue. L'émulsion doit être ferme et versable à l'aide d'une cuillère.



8 Tourner le cadran de réglage de vapeur vers NO STEAM (pas de vapeur). Appuyer sur le bouton ON/OFF (mise en marche/arrêt) (le voyant s'éteindra) puis appuyer à nouveau sur le bouton de réglage des températures pour éteindre le cycle de vapeur. Débrancher l'appareil de la prise. Nettoyer la buse vapeur après chaque utilisation.

Recettes

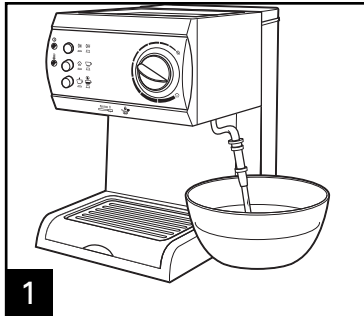
Espresso	Infuser une ou deux tasses à la fois en respectant les instructions. Facultatif : Sucrez au goût.
Cappuccino	Mélanger 1/3 d'espresso, 1/3 de lait passé à la vapeur et 1/3 de lait émulsé. Saupoudrer au goût avec de la muscade râpée, de la cannelle râpée, du chocolat en poudre ou vanille.
Latté	Mélanger 1/2 portion d'espresso avec 1/2 portion de lait passé à la vapeur. Saupoudrer au goût avec de la muscade râpée, de la cannelle râpée, du chocolat en poudre ou vanille.
Espresso, cappuccino ou au lait glacé	Mélanger le breuvage comme décrit ci-dessus puis verser sur des glaçons.
Moka	Mélanger 28 g (1 oz) de sirop épais de chocolat avec 1/3 d'espresso. Remplir avec du lait émulsé ou passé à la vapeur.

Consulter hamiltonbeach.com pour les recettes délicieuses, les conseils et pour enregistrer votre produit!

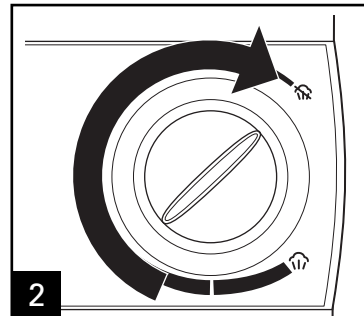


Nettoyage

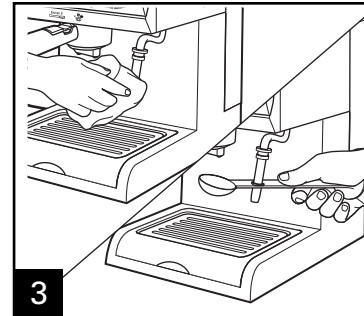
⚠ AVERTISSEMENT Risque d'électrocution. Débrancher l'appareil avant d'essuyer l'extérieur ou le bec verseur. Ne pas immerger le cordon, la fiche ou la base dans l'eau.



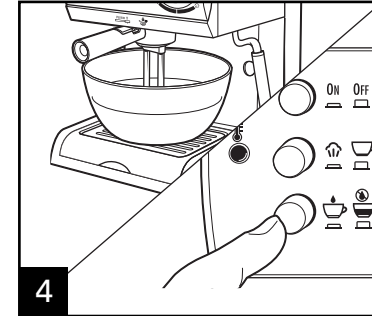
1 Tourner le cadran de réglage de vapeur à STEAM (vapeur) pour vider tout liquide résiduel de la buse vapeur dans le contenant ou la tasse d'eau.



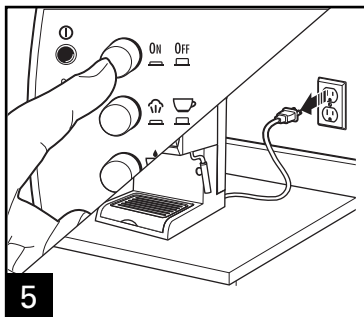
2 Tourner le cadran de réglage de vapeur dans le sens des aiguilles d'une montre vers NO STEAM (pas de vapeur).



3 Essuyer l'embout. **Après chaque utilisation** : Retirer l'embout de la buse à l'aide de la clé sur le bourreur et laver avec de l'eau chaude savonneuse.

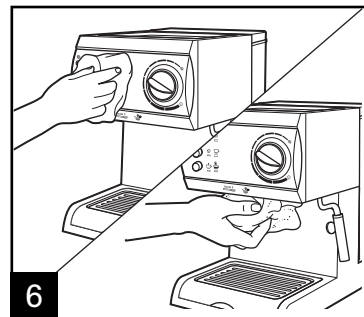


4 Placer le contenant assez large sous le bec verseur pour récupérer l'eau provenant des deux verseurs. Appuyer sur le bouton de la pompe et distribuer au moins 1 tasse d'eau pour des résultats optimaux.

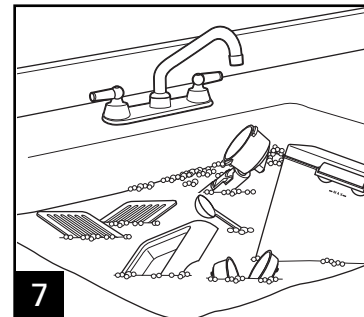


5 Appuyer sur le bouton ON/OFF (mise en marche/arrêt) pour mettre l'appareil hors tension. Le voyant près du bouton s'éteindra. Débrancher l'appareil.

24



6 Essuyer soigneusement l'extérieur et le bec verseur avec un linge et de l'eau tiède—l'embout peut être encore chaud.



7 Laver toutes les pièces avec de l'eau chaude savonneuse et assécher complètement. **NE PAS** laver les pièces au lave-vaisselle.

Conseils pour faire du café espresso

- Pour des résultats optimaux, utiliser du café espresso torréfié fraîchement moulu et foncé.
- Pour des grains de café déjà moulu, entreposer la portion inutilisée dans un contenant hermétique et garder dans un endroit frais et sombre pendant environ une semaine.
- La mouture du café nuit au goût du café et au rendement de l'appareil. Si la mouture du café est trop grossière, l'eau circulera trop rapidement dans le café et diminuera la saveur de ce dernier. Si la mouture du café est trop fine, la saveur peut être trop corsée ou amère et les grains peuvent obstruer le filtre.
- Pour un espresso plus chaud, préchauffer l'auget, le filtre d'espresso moulu et le porte-filtre en faisant d'abord bouillir l'eau dans les tasses pendant quelques secondes puis jeter l'eau bouillie.
MISE EN GARDE : L'auget, le filtre d'espresso moulu et le porte-filtre sont chauds.
- Les grains de café espresso peuvent être moulus à l'aide d'un **moulin à café**. Pour des résultats optimaux, utiliser le moulin à café Hamilton Beach Custom Grind™ en utilisant le réglage de mouture pour espresso. Si le café espresso est moulu en magasin ou à l'aide d'un moulin à café à meules, utiliser le degré de mouture de l'espresso à un ou deux degrés de plus de manière à obtenir un café plus corsé.
- Moudre l'espresso pour obtenir une texture sableuse ressemblante à du sel ou du sable. Une mouture trop fine ressemblera à de la poudre et sa texture ressemblera à la farine. Si la mouture du café est trop fine, ceci empêchera la circulation de l'eau dans le café.
- Les filtres à espresso facilitent l'infusion d'une bonne tasse de café espresso et le nettoyage sera aussi facile que de jeter un filtre jetable. Les filtres peuvent être achetés dans plusieurs maisons de café de votre municipalité ou dans les magasins spécialisés. Une recherche sur internet pour « augets à café » vous dirigera vers plusieurs fabricants de filtres à café.
- Utiliser toujours de l'eau froide pour préparer le café. L'eau ou tout autre liquide tiède peut endommager l'appareil.

Dépannage

PROBLÈME POSSIBLE

CAUSE POSSIBLE

L'espresso ne circulera pas.

- Est-ce que le réservoir d'eau est vide?
- Est-ce que le réservoir d'eau est bien installé?
- S'assurer que la mouture de café n'est pas trop compactée dans le filtre.
- Est-ce que le porte-filtre est adapté correctement à la cafetière espresso?
- Nettoyer le filtre, le porte-filtre et le bec verseur.

Le fonctionnement de l'appareil est bruyant.

- Est-ce que le réservoir d'eau est vide?
- Est-ce que le réservoir d'eau est bien installé?
- Est-ce que le porte-filtre est bien en place?

L'espresso n'est pas assez corsé.

- Toujours utiliser des grains de café espresso fraîchement moulu et bourrer fermement la mouture.
- Une infusion trop longue offre une saveur d'espresso trop délicate (1 portion = 28 à 42 g [1 à 1-1/2 oz]).
- S'assurer de la bonne quantité de café moulu dans le filtre.
- Le café est trop corsé.
- Essayer une autre marque ou torréfaction de café.

L'espresso est trop corsé ou amer.

- S'assurer que le cadran de vapeur est positionné à NO STEAM (pas de vapeur). Si le cadran de vapeur est à STEAM (vapeur), l'eau n'a peut-être pas assez chaude. Tourner le cadran de réglage de vapeur dans le sens contraire aux aiguilles d'une montre pour relâcher la vapeur dans la tasse d'émulsion ou le pichet et laisser refroidir l'appareil. Puis répéter les étapes du chapitre « Utilisation ».
- Quantité trop grande de mouture à espresso utilisée.
- La mouture du café est trop fine.
- Infuser plus longtemps avant d'appuyer à OFF (arrêt).
- Essayer une autre marque ou torréfaction de café. • Utiliser le moulin à café Hamilton Beach Custom Grind™.

Émulsion du lait difficile.

- Utiliser toujours du lait frais et froid (le lait écrémé est recommandé).
- Utiliser une tasse en acier inoxydable froide puis déplacer légèrement la tasse de bas en haut pendant l'émulsion.
- Nettoyer la buse vapeur.
- S'assurer que le bouton de vapeur est enfoncé et que le voyant de température est illuminé.
- Quantité trop grande de lait à émulsionner; réduire la quantité de lait de la tasse.

La vapeur s'échappe trop rapidement.

- Amorcer à nouveau la pompe. Voir le chapitre « Avant la première utilisation » à la page 17.

Garantie limitée

Cette garantie s'applique aux produits achetés aux É.-U. et au Canada. C'est la seule garantie expresse pour ce produit et est en lieu et place de tout autre garantie ou condition.

Ce produit est garanti contre tout défaut de matériaux et de main-d'oeuvre pour une période de un (1) an à compter de la date d'achat d'origine. Au cours de cette période, votre seul recours est la réparation ou le remplacement de ce produit ou tout composant s'avérant défectueux, à notre gré, mais vous êtes responsable de tous les coûts liés à l'expédition du produit et le retour d'un produit ou d'un composant dans le cadre de cette garantie. Si le produit ou un composant n'est plus offert, nous le remplacerons par un produit similaire de valeur égale ou supérieure.

Cette garantie ne couvre pas le verre, les filtres, l'usure d'un usage normal, l'utilisation non conforme aux directives imprimées, ou des dommages au produit résultant d'un accident, modification, utilisation abusive ou incorrecte. Cette garantie s'applique seulement à l'acheteur original ou à la personne l'ayant reçu en cadeau. La présentation du reçu de vente d'origine comme preuve d'achat est nécessaire pour faire une réclamation au titre de cette garantie. Cette garantie ne s'applique pas si le produit est utilisé à d'autres fins qu'une utilisation domiciliaire familiale.

Nous excluons toutes les réclamations au titre de cette garantie pour les dommages spéciaux, consécutifs et indirects causés par la violation de garantie expresse ou implicite. Toute responsabilité est limitée au prix d'achat. **Chaque garantie implicite, y compris toute garantie ou condition de qualité marchande ou d'adéquation à un usage particulier, est exonérée, sauf dans la mesure interdite par la loi, auquel cas la garantie ou condition est limitée à la durée de cette garantie écrite.** Cette garantie vous donne des droits légaux précis. Vous pouvez avoir d'autres droits qui varient selon l'endroit où vous habitez. Certaines provinces ne permettent pas les limitations sur les garanties implicites ou les dommages spéciaux ou indirects de telle sorte que les limitations ci-dessus ne s'appliquent peut-être pas à votre cas.

Ne pas retourner cet appareil au magasin lors d'une réclamation au titre de cette garantie. Téléphoner au 1.800.851.8900 aux É.-U. ou au 1.800.267.2826 au Canada ou visiter le site internet www.hamiltonbeach.com aux É.-U. ou www.hamiltonbeach.ca au Canada. Pour un service plus rapide, trouvez le numéro de modèle, le type d'appareil et les numéros de série sur votre appareil.

SALVAGUARDIAS IMPORTANTES

Cuando use aparatos eléctrico, siempre deben de seguirse precauciones básicas de seguridad para reducir riesgos de fuego, descargas eléctricas, y/o lesiones a personas, incluyendo lo siguiente:

1. Lea todas las instrucciones.
2. Verifique que el voltaje de su instalación corresponda con el del producto.
3. No toque las superficies calientes. Use las manijas o perillas. Se debe de tener cuidado, ya que pueden ocurrir quemaduras al tocar partes calientes o por liquido caliente derramado.
4. Para protegerse de una descarga eléctrica, no coloque el cable, enchufe o el aparato en agua u otros líquidos.
5. Se requiere de una estrecha supervisión cuando cualquier aparato está siendo usado por o cerca de niños.
6. Desconecte de la toma cuando la cafetera de espresso no esté en uso y antes de limpiar. Desconecte y deje enfriar antes de poner o quitar partes y antes de limpiar el aparato.
7. El filtro debe ser usado sobre una superficie plana lejos del borde de la cubierta para prevenir que se caiga accidentalmente.
8. No opere ningún aparato con un cable o enchufe dañado, o después de que el aparato funcione mal o se caiga o dañe de cualquier manera. Llame a nuestro número lada sin costo de servicio a cliente para información sobre examinación, reparación o ajuste.
9. El uso de aditamentos de accesorio no recomendados por el fabricante puede resultar en incendio, descarga eléctrica o lesiones personales.
10. No se use en exteriores.
11. No deje que el cable cuelgue del borde de la mesa o cubierta o toque superficies calientes, incluyendo la estufa.
12. Asegúrese que el soporte de filtro esté de manera segura en su lugar cuando prepare espresso. Pueden ocurrir quemaduras si el soporte de filtro es removido durante el ciclo de preparación.
13. No coloque el aparato sobre o cerca de un quemador de gas o eléctrico caliente o sobre un horno calentado.
14. Siempre conecte el cable a la toma antes de encender cualquier control. Para desconectar la cafetera, ponga los controles en APAGADO, luego remueva el enchufe de la toma de pared.
15. ADVERTENCIA: Para reducir el riesgo de fuego o descarga eléctrica, no remueva la cubierta inferior. No hay partes servibles en el interior. La reparación debe hacerse por personal de servicio autorizado únicamente.
16. No use el aparato para otro uso que para el que fue hecho.

¡GUARDE ESTAS INSTRUCCIONES!

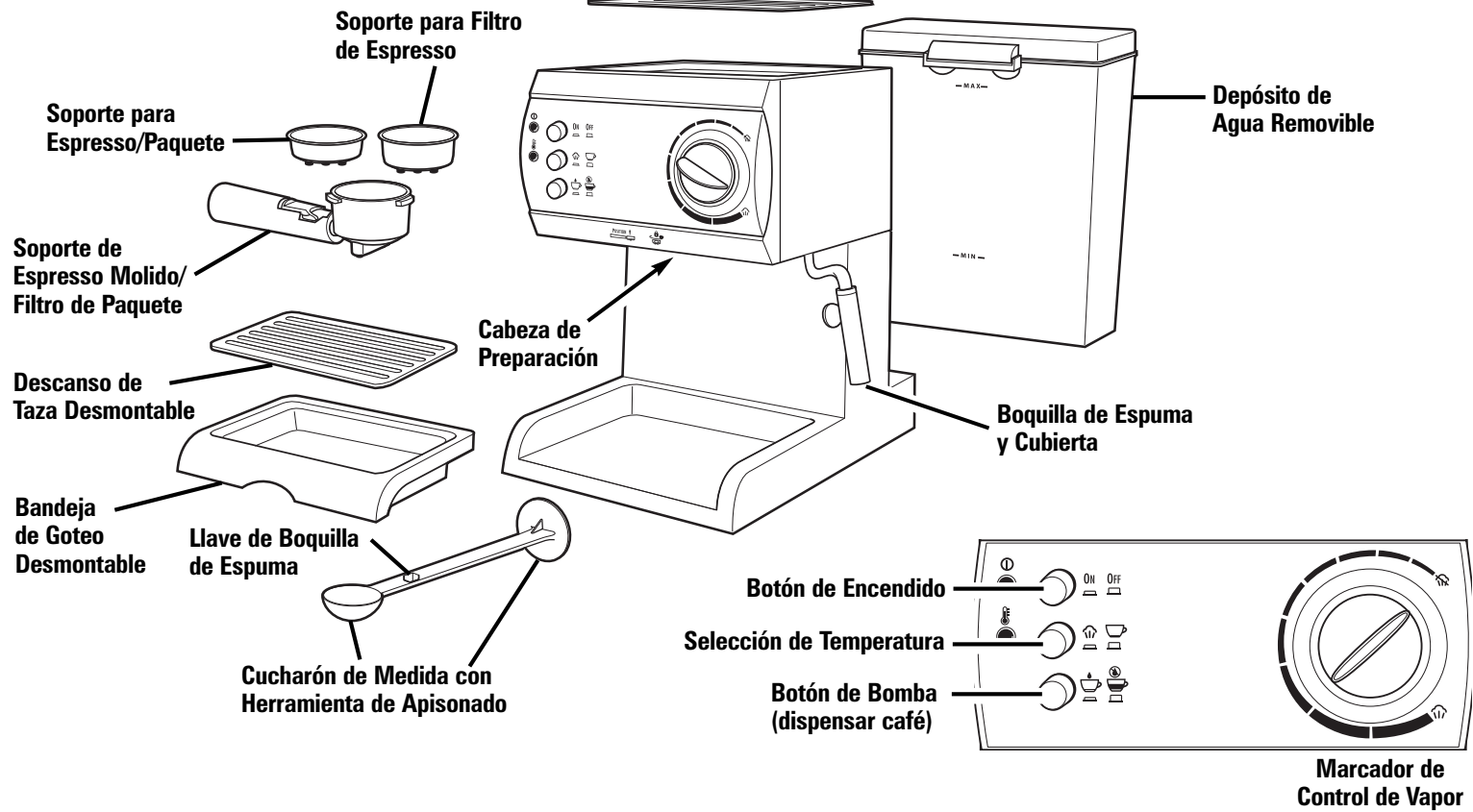
OTRA INFORMACIÓN DE SEGURIDAD PARA EL CLIENTE

Este producto fue hecho para uso en el hogar solamente.

¡ADVERTENCIA! Peligro de Descarga: Este aparato tiene un enchufe polarizado (una clavija ancha) que reduce el riesgo de descarga eléctrica. El enchufe se ajusta sólo de un manera en una toma polarizada. No elimine el propósito de seguridad del enchufe modificando el enchufe de ninguna manera o usando un adaptador. Si el enchufe no entra, invierta el enchufe. Si aún no entra, haga que un eléctrico reemplace la toma.

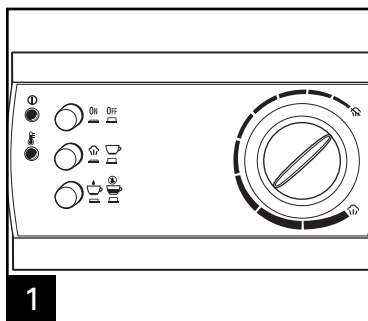
La longitud del cable usado para este aparato fue seleccionado para reducir los riesgos de enredarse o tropezarse con un cable más largo. Si se necesita un cable más largo, se puede usar un cable extensión aprobado. La clasificación eléctrica de la cable extensión debe ser igual o mayor que la clasificación del aparato. Se debe de tener cuidado de acomodar el cable extensión de manera que no cuelgue de una cubierta o mesa y que pueda ser jalado por un niño o pueda provocar un tropiezo accidental.

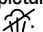
Piezas y Características

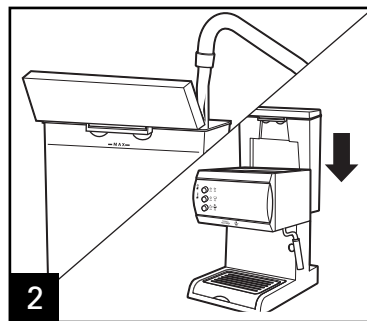


Antes de su Primer Uso *(Preparando la Bomba)*

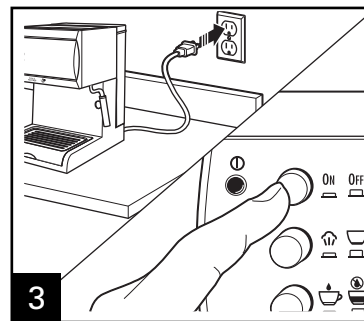
Lave todas las partes removibles en agua caliente jabonosa. Ninguna de las partes pueden ser lavadas en el lavavajillos. La bomba de agua debe ser "preparada" antes de usar por primera vez para que funcione adecuadamente. El funcionar sin agua en el depósito puede dañar permanentemente el aparato.



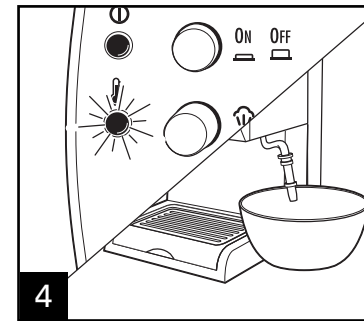
1 Posición de Apagado (no presionado) y que el marcador de control de vapor esté girado completamente a la derecha a NO VAPOR .



2 Llene el depósito de agua removible a la línea de llenado MAX con agua fría y vuelva a colocar de manera segura en la parte posterior de la unidad.

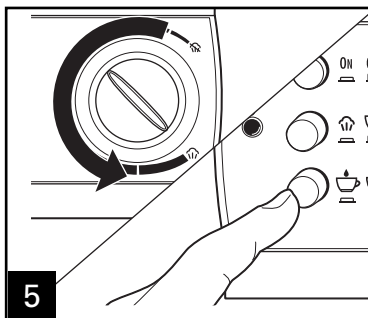


3 Conecte la unidad y presione el botón de Encendido para encender la unidad.

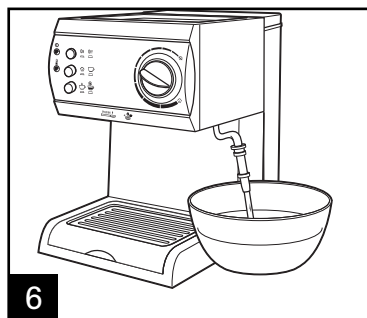


4 Cuando la unidad esté lista, la luz a lado del botón de control de temperatura se encenderá en verde. Coloque un contenedor vacío debajo de la boquilla de espuma de manera que la boquilla esté completamente dentro del contenedor.

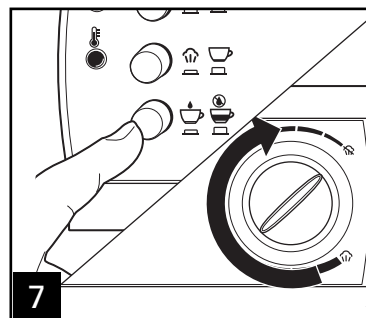
Antes de su Primer Uso (cont.)



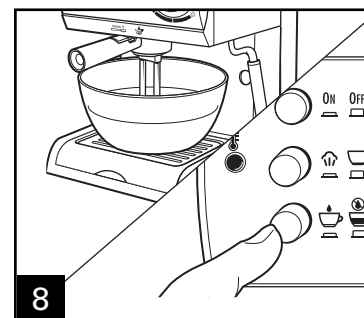
5 Gire el marcador de control de vapor en el sentido contrario a las manecillas del reloj a VAPOR. Presione el botón de bomba para bombear agua caliente por la varilla de espuma por propósitos de limpieza.



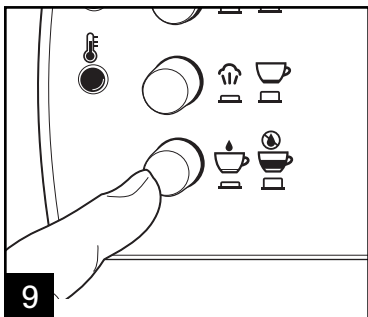
6 Llene el contenedor aproximadamente a la mitad. **NOTA:** La luz verde al lado del botón de selección de temperatura se apagará una vez que se presione el botón de la bomba.



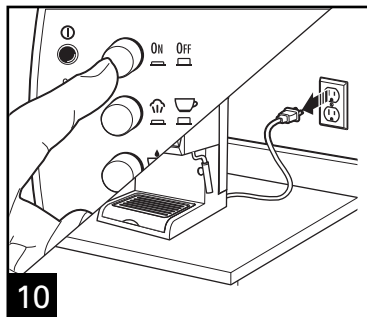
7 Presione el botón de la bomba de nuevo para apagar la boquilla de espuma, luego gire el marcador de control de vapor en el sentido de las manecillas del reloj a NO VAPOR.



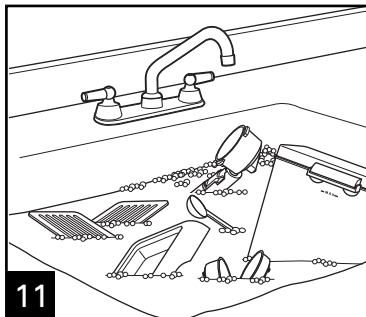
8 Coloque un contenedor debajo de la cabeza de preparación, deberá de ser lo ancho suficiente para trabar el agua de ambos picos. Presione el botón de la bomba y dispense cualquier agua restante del depósito.



9 Presione el botón de la bomba de nuevo para apagarla.

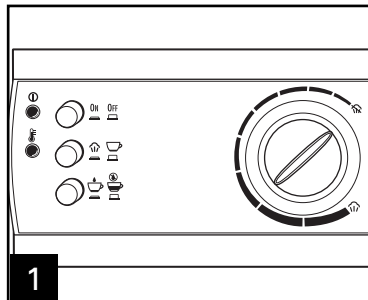


10 Presione el botón de Encendido para apagar la unidad. La luz al lado del botón se apagará. Desconecte la unidad.

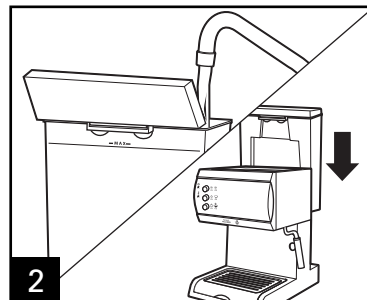


Lave todas las partes de nuevo con agua caliente jabonosa y seque completamente. **¡ADVERTENCIA! Peligro de Descarga.** No sumerja la máquina, cable o enchufe en agua u otros líquidos. Vea la sección de *Limpieza* en la página 37 para instrucciones completas.

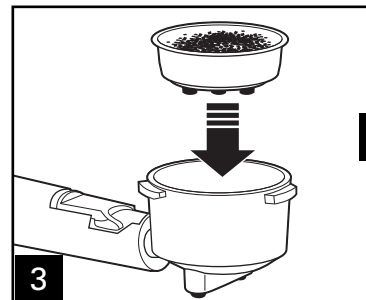
Cómo Usar



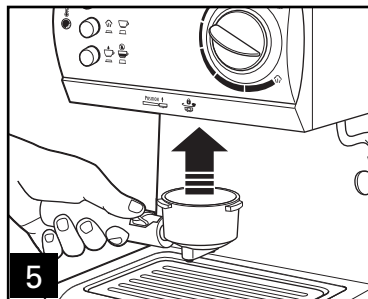
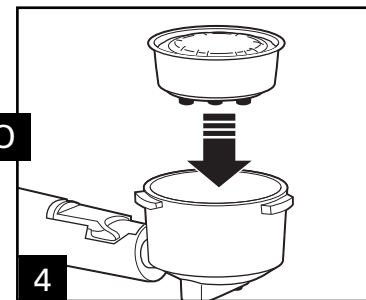
1 Asegúrese que los tres botones estén en posición de Apagado (no presionados) y que el marcador de control de vapor esté completamente girado a la derecha a NO VAPOR.



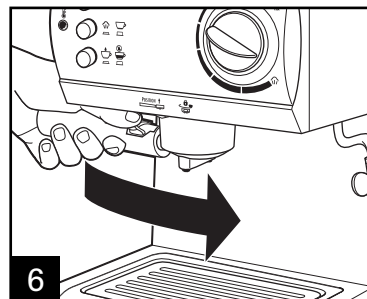
2 Llene el depósito de agua removible con la cantidad deseada de agua fría y vuelva a colocar de manera segura en la parte posterior de la unidad.



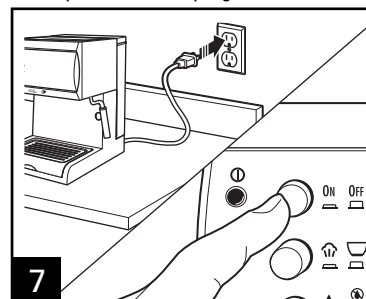
3 Alinee el hoyuelo resaltado en el exterior del soporte de filtro para espresso/bolsa con la ranura recortada en el interior del soporte de filtro. Gire el soporte de filtro para espresso/bolsa 180 grados para asegurar a la base. Coloque el soporte de espresso molido en el soporte de filtro. Agregue una cucharada de espresso molido por cada taza que vaya a hacer. Use el soporte poco profundo para 1 taza y el soporte profundo para 2 tazas. Presione el café molido firmemente en el soporte con la herramienta de apisonado. Coloque la bolsa en el soporte de filtro. Cuando use una sola bolsa, siempre use el soporte de filtro menos profundo. Nunca ponga dos bolsas en cualquiera de los soportes a la vez.



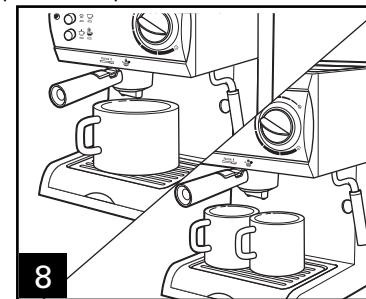
5 Sosteniendo la manija de manera segura, inserte el soporte de filtro en la cabeza de preparación con la manija apuntando a la izquierda. Asegúrese que no haya café molido en el borde del soporte de filtro.



6 Gire el soporte de filtro a la derecha hasta que quede firmemente asegurado en su lugar.

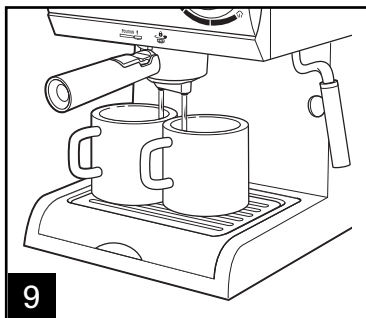


7 Conecte la unidad y presione el botón de Encendido para encender la unidad. Cuando esté listo, la luz al lado del botón de control de temperatura se encenderá verde.

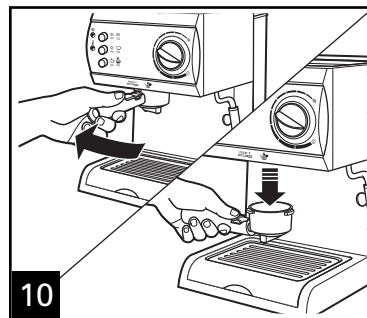


8 Coloque una o dos tazas bajo los picos de la cabeza de preparación. Si usa una taza, asegúrese que sea lo suficiente ancha para atrapar el espresso de ambos picos.

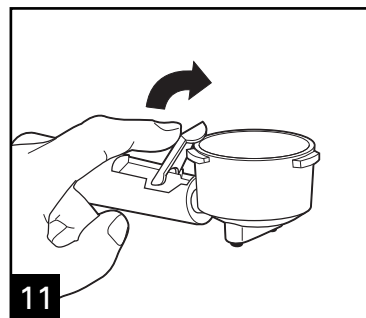
Cómo Usar (suite)



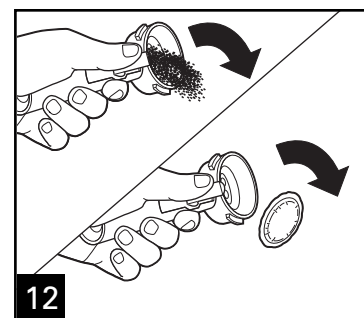
9 Presione el botón de bomba para comenzar el flujo de espresso, presione el botón de bomba de nuevo para detener el flujo. Al dispensar el espresso, ira viéndose gradualmente más claro de color. Deje que el espresso gotee del soporte de filtro por 15-20 segundos antes de remover la(s) taza(s).



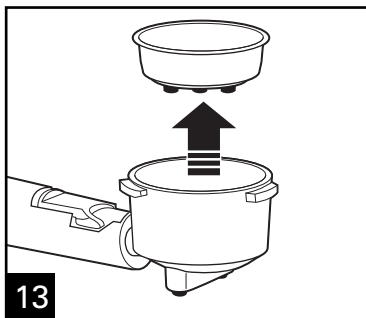
10 Espere cerca de 1 minuto antes de remover el soporte de filtro de la máquina. Esto permitirá que el espresso molido y el exceso de agua siga fluyendo de la bomba para terminar. **NOTA:** Puede que algo de agua continúe goteando intermitentemente de la cabeza de preparación. Esto es normal y un resultado del funcionamiento del producto.



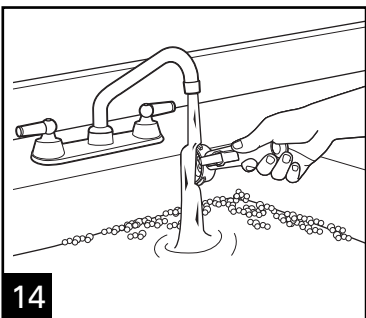
11 Para vaciar el espresso molido y/o una bolsa de espresso del soporte de filtro, gire la palanca de plástico localizada en la manija del soporte del filtro y sostenga la palanca abierta. Manteniendo el pulgar en la palanca de la manija, deseche el espresso molido y/o filtro de bolsa.



12 Manteniendo el pulgar en la palanca de la manija, deseche el espresso molido y/o filtro de bolsa.



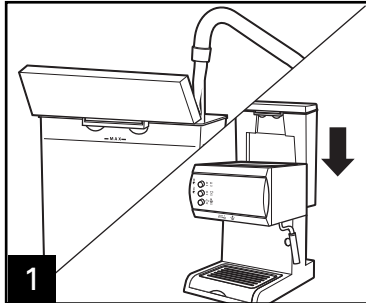
13 Asegúrese que el soporte de filtro esté frío. Alinee el hoyuelo resaltado en el soporte de filtro para espresso/bolsa con la ranura recortada en la base del soporte de filtro, luego remueva.



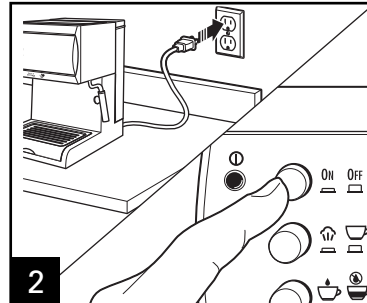
14 Limpie el soporte de filtro y cabeza de preparación después de cada uso. Vea las instrucciones de *Limpieza* en la página 37. **NO** deje que el espresso molido permanezca en el soporte de filtro; esto puede tapan el soporte del filtro y cuasar que la unidad funcione mal.

Cómo Aplicar Vapor a la Leche

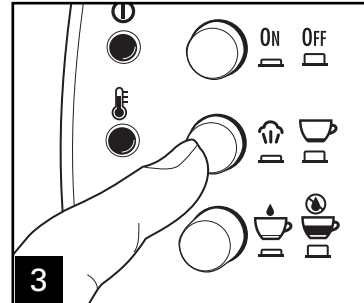
⚠ADVERTENCIA Peligro de Quemarse. El vapor y agua emitido por la boquilla de espuma están calientes.



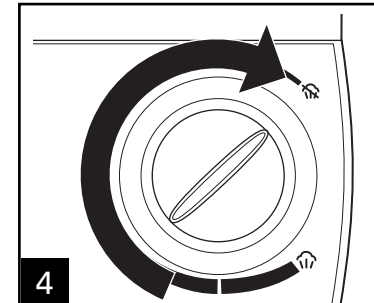
1 Asegúrese de que haya agua en el depósito de agua removible y mueva la boquilla de espuma a la parte derecha de la unidad.



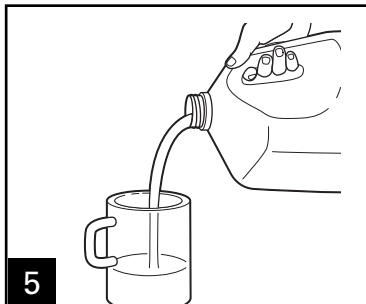
2 Conecte la unidad; presione el botón de Encendido para comenzar a calentar agua. Cuando esté caliente, la luz al lado del botón de selección de temperatura se encenderá.



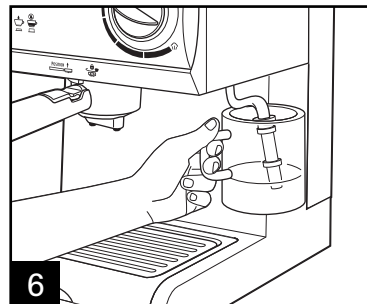
3 Presione el botón de selección de temperatura.



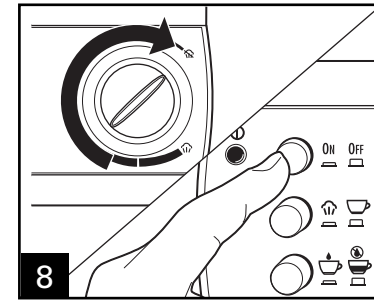
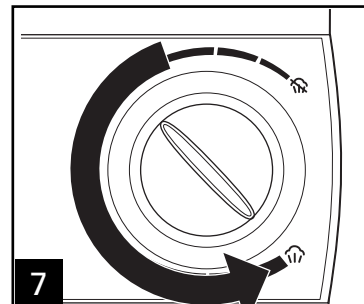
4 Gire el marcador de control de temperatura a la posición de NO VAPOR ⚡.



5 Llene una taza metálica o de cerámica con 1/3 de leche fría. Se recomienda una taza de acero inoxidable y leche descremada.

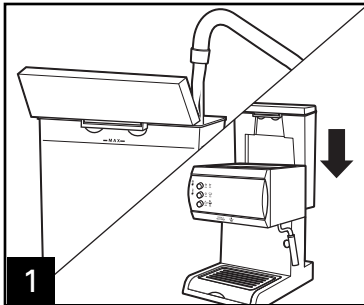


6 Sostenga la taza debajo de la boquilla de espuma, dejando cerca de 1/4 a 1/2 de pulgada entre la boquilla y la parte inferior de la taza. Gire el marcador de control de vapor a la izquierda para abrir la válvula de vapor. La leche recibe vapor cuando la taza se calienta. **NOTA:** Después de cada vez que se usa vapor y para prevenir que la boquilla se tape, sostenga una taza con agua debajo de la boquilla y haga "vapor" en la taza para limpiar.

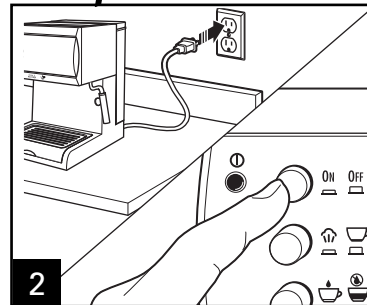


8 Gire el marcador de control de vapor a NO VAPOR ⚡. Presione el botón de Encendido (la luz se apagará); luego el botón de selección de temperatura de nuevo para apagar la temperatura de vapor. Desconecte la unidad de la toma. Limpie la boquilla de espuma después de cada uso.

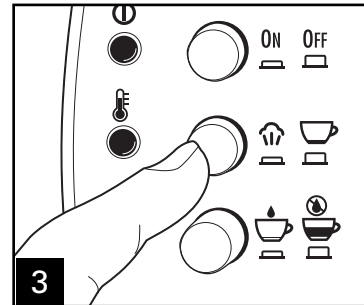
Cómo Hacer Espuma con Leche



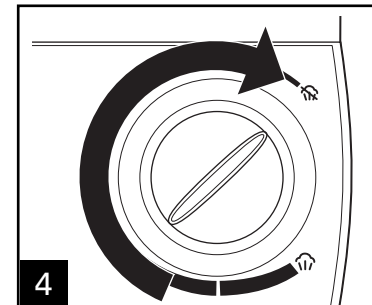
1 Asegúrese de que haya agua en el depósito de agua removible y mueva la boquilla de espuma a la parte derecha de la unidad.



2 Conecte la unidad; presione el botón de Encendido para comenzar a calentar agua. Cuando esté caliente, la luz al lado del botón de selección de temperatura se encenderá.



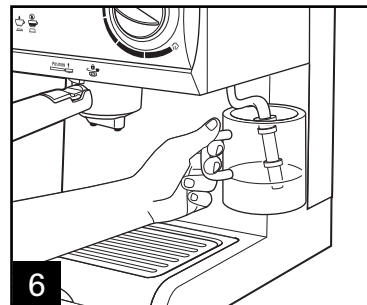
3 Presione el botón de selección de temperatura.



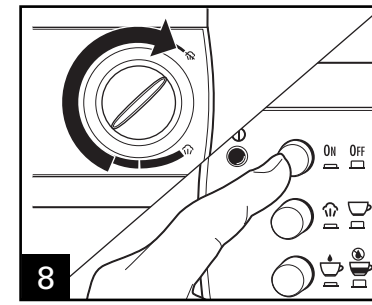
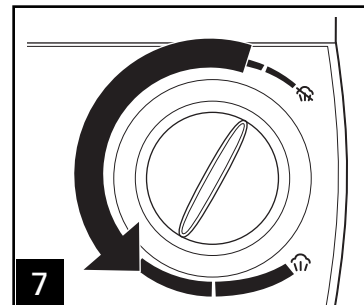
4 Gire el marcador de control de vapor a la derecha a NO VAPOR.



5 Llene una taza metálica o de cerámica con 1/3 de leche fría. Se recomienda una taza de acero inoxidable y leche descremada.



6 Sostenga la taza debajo de la boquilla de espuma, dejando cerca de 1/4 a 1/2 de pulgada entre la boquilla y la parte inferior de la taza. Gire el marcador de control de vapor cerca de 3/4 de vuelta hacia vapor. Sostenga la taza debajo de la boquilla de espuma hasta que se logre la consistencia deseada. La espuma debe estar rígida y se debe poder tomar con una cuchara.



8 Gire el marcador de control de vapor a NO VAPOR. Presione el botón de Encendido (la luz se apagará); luego el botón de selección de temperatura de nuevo para apagar la temperatura de vapor. Desconecte la unidad de la toma. Limpie la boquilla de espuma después de cada uso.

Recetas

Espresso	Prepare una o dos tazas a la vez siguiendo estas instrucciones. Opcional: Agregar azúcar al gusto.
Cappuccino	Mezcle 1/3 espresso, 1/3 de leche evaporada y 1/3 de leche con espuma. Sirvalo con nuez moscada, canela molida, chocolate en polvo o vainilla para un mejor sabor.
Latte	Mezcle 1/2 espresso con 1/2 de leche evaporada. Sirvalo con nuez moscada, canela molida, chocolate en polvo o vainilla para un mejor sabor.
Espresso, capuccino, o latte frappe	Mezcle la bebida como se describió anteriormente, luego vacíe sobre hielo.
Mocha	Mezcle 1 onza de jarabe espeso de chocolate con 1/3 de espresso. Llene con leche evaporada o con espuma.

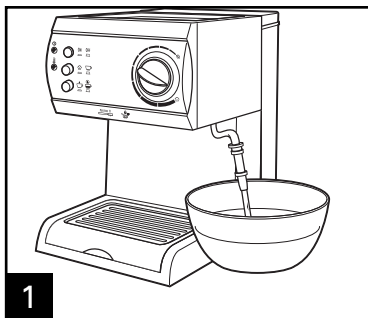
¡Visite hamiltonbeach.com para recetas deliciosas, consejos y para registrar su producto en línea!



Limpeza

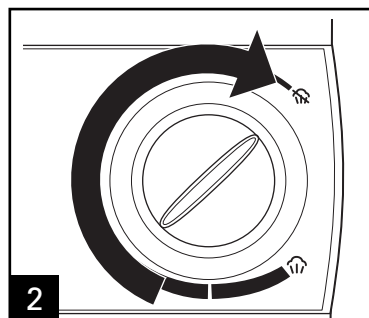
⚠ADVERTENCIA

Peligro de Descarga Eléctrica. Desconecte la corriente antes de limpiar el exterior de la unidad o la cabeza de preparación. No sumerja el cable, enchufe o base en ningún líquido.



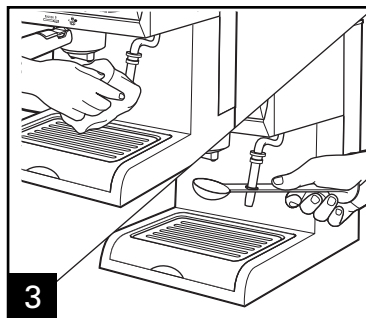
1

Gire el marcador de vapor a VAPOR ☁ y vacíe cualquier líquido que aún quede en la boquilla de espuma en un contenedor/taza de agua.



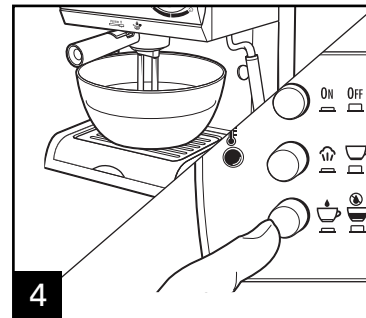
2

Gire la perilla de control de vapor a la derecha a NO VAPOR ☁.



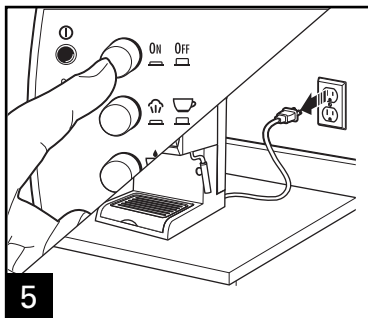
3

Limpe la boquilla. **Cada dos usos:** Remueva la punta de la boquilla con la llave en la herramienta de apisonado y lave en agua caliente jabonosa.



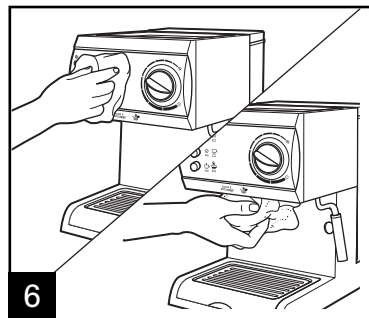
4

Coloque un contenedor debajo de la cabeza de preparación para trabar el agua de ambos picos. Presione el botón de la bomba y dispense al menos 1 taza de agua para mejores resultados.



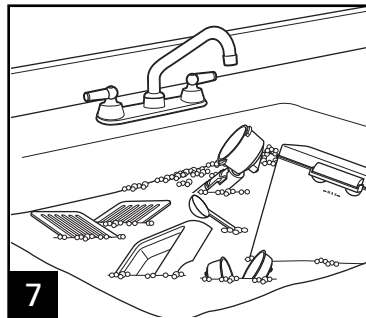
5

Presione el botón de Encendido para apagar la unidad. La luz al lado del botón se apagará. Desconecte la unidad.



6

Limpe el exterior y la cabeza de preparación con agua caliente y un trapo húmedo cuidadosamente, la boquilla puede aún estar caliente.



7

Lave todas las partes con agua caliente jabonosa y seque completamente. **NO** lave ninguna parte en un lavavajillas.

Consejos para Hacer Espresso

- Para mejores resultados, use café tostado fresco y oscuro para espresso.
- Si se usa café **premolido** para espresso, almacene la porción no utilizada en un contenedor hermético y guarde en un área oscura y fresca hasta por una semana.
- El tamaño del molido del café afectará el sabor del café y como trabaja el aparato. Si el molido es muy grueso, el agua fluirá demasiado rápido a través del café y tendrá un sabor más suave. Si el molido es muy fino, el sabor puede ser muy fuerte o amargo, y el molido puede tapar el filtro.
- Para un espresso más caliente, precaliente el soporte del filtro, el filtro de espresso molido, y el filtro de bolsa al preparar primero agua en tazas por unos segundos, luego vacíe el agua.
PRECAUCIÓN: El soporte del filtro, el filtro de espresso molido, y el filtro de bolsa están calientes.
- Los granos de espresso pueden ser molidos en un **molino de café**. Para mejores resultados, use el molino de café Custom Grind™ de Hamilton Beach en el ajuste para espresso. Si muele el espresso en una tienda o usa un molino de placas, entonces use un ajuste que esté una o dos ranuras más grueso que el ajuste de espresso.
- Muela su espresso de manera que se vea arenisco, como sal o arena. Es muy fino si queda como talco y se siente como harina. Si el café se muele muy fino, entonces el agua no fluirá a través del café.
- Las bolsas de espresso hacen aún más fácil el preparar una buena taza de espresso y la limpieza es tan fácil como tirar la bolsa usada. Las bolsas pueden ser compradas en cualquier casa de café local o tiendas de especialidades del hogar. Una búsqueda de Web por "bolsas de café" también lo conectará con muchos proveedores de bolsas de café.
- Siempre use agua fría para hacer café. El agua caliente u otros líquidos pueden causar daños al aparato.

Resolviendo Problemas

PROBLEMA POTENCIAL

PROBABLE CAUSA

El espresso no fluye.

- ¿Está vacío el depósito de agua?
- ¿Está el depósito de agua colocado adecuadamente en su posición?
- Asegúrese que no haya café molido de mas en el filtro.
- ¿Está colocado adecuadamente el soporte de filtro en la cafetera de espresso?
- Limpie el filtro, soporte de filtro, y cabeza de preparación.

La máquina hace mucho ruido cuando funciona.

- ¿Está vacío el depósito de agua?
- ¿Está el depósito de agua colocado adecuadamente en su posición?
- ¿Está colocado adecuadamente el soporte de filtro en su posición?

El espresso está muy débil.

- Siempre use café espresso molido fresco y apisone el café molido firmemente.
- Entre más tiempo de preparación, más débil será el espresso (1 porción = 1 a 1 1/2 onzas).
- Asegúrese que haya suficiente café molido en el filtro.
- El café molido es muy grueso.
- Pruebe con una marca o tostado de café diferente.

El espresso está demasiado fuerte o agrio.

- Asegúrese que el marcador de control de vapor esté en Apagado. Si el marcador de control de vapor se dejó encendido, el agua pudo haber estado muy caliente. Gire el marcador de control de vapor a la izquierda para liberar vapor en la taza para espuma o jarra y deje que el aparato se enfríe. Repita los pasos en la sección *Cómo Usarla*.
- Se está usando mucho espresso molido. • El molido es muy fino.
- Prepare por más tiempo antes de presionar el botón de espresso a Apagado.
- Pruebe una marca o tostado de café diferente.
- Use el molino de café Custom Grind™ de Hamilton Beach.

Dificultades para hacer vapor para leche.

- Siempre use leche fresca (se recomienda leche descremada).
- Use una taza fría de acero inoxidable y mueva la taza ligeramente hacia arriba y abajo mientras hace espuma.
- Limpie la boquilla de espuma.
- Asegúrese que el botón de vapor no esté presionado y que la luz de temperatura/preparado esté encendida.
- Está tratando de hacer espuma con mucha leche; reduzca la cantidad de leche en la taza.

El vapor se acaba muy rápido.

- Vuelva a preparar la bomba. Vea *Antes de su Primer Uso* en la página 30.

Hamilton Beach®

Grupo HB PS, S.A. de C.V.,
Monte Elbruz 124-301, Colonia Palmitas,
Delegación Miguel Hidalgo, C.P. 11560,
México, Distrito
Federal 01-800-71-16-100

PÓLIZA DE GARANTÍA

PRODUCTO:	MARCA:	MODELO:
Grupo HB PS, S.A. de C.V. cuenta con una Red de Centros de Servicio Autorizada, por favor consulte en la lista anexa el nombre y dirección de los establecimientos en la República Mexicana en donde usted podrá hacer efectiva la garantía, obtener partes, componentes, consumibles y accesorios; así como también obtener servicio para productos fuera de garantía. Para mayor información llame sin costo: Centro de Atención al consumidor: 01 800 71 16 100		
Grupo HB PS, S.A. de C.V. le otorga a partir de la fecha de compra: GARANTÍA DE 1 AÑO.		
COBERTURA		
<ul style="list-style-type: none">• Esta garantía ampara, todas las piezas y componentes del producto que resulten con defecto de fabricación incluyendo la mano de obra.• Grupo HB PS, S.A. de C.V. se obliga a reemplazar, reparar o reponer, cualquier pieza o componente defectuoso; proporcionar la mano de obra necesaria para su diagnóstico y reparación, todo lo anterior sin costo adicional para el consumidor.• Esta garantía incluye los gastos de transportación del producto que deriven de su cumplimiento dentro de su red de servicio.		
LIMITACIONES		
<ul style="list-style-type: none">• Esta garantía no ampara el reemplazo de piezas deterioradas por uso o por desgaste normal, como son: cuchillas, vasos, jarras, filtros, etc.• Grupo HB PS, S.A. de C.V. no se hace responsable por los accidentes producidos a consecuencia de una instalación eléctrica defectuosa, ausencia de toma de tierra, clavija de enchufe en mal estado, etc.		
EXCEPCIONES		
Esta garantía no será efectiva en los siguientes casos: <ul style="list-style-type: none">a) Cuando el producto se hubiese utilizado en condiciones distintas a las normales. (Uso industrial, semi-industrial o comercial.)b) Cuando el producto no hubiese sido operado de acuerdo con el instructivo de uso.c) Cuando el producto hubiese sido alterado o reparado por personas no autorizadas por Grupo HB PS, S.A. de C.V. el fabricante nacional, importador o comercializador responsable respectivo. El consumidor puede solicitar que se haga efectiva la garantía ante la propia casa comercial donde adquirió su producto, siempre y cuando Grupo HB PS, S.A. de C.V. no cuente con talleres de servicio.		

PROCEDIMIENTO PARA HACER EFECTIVA LA GARANTÍA

- Para hacer efectiva la garantía no deben exigirse mayores requisitos que la presentación del producto y la póliza correspondiente, debidamente sellada por el establecimiento que lo vendió.
- Para hacer efectiva la garantía, lleve su aparato al Centro de Servicio Autorizado más cercano a su domicilio (consulte la lista anexa).
- Si no existe Centro de Servicio Autorizado en su localidad llame a nuestro Centro de Atención al Consumidor para recibir instrucciones de como hacer efectiva su garantía.
- El tiempo de reparación, en ningún caso será mayor de 30 días naturales contados a partir de la fecha de recepción del producto en nuestros Centros de Servicio Autorizados.
- En caso de que el producto haya sido reparado o sometido a mantenimiento y el mismo presente deficiencias imputables al autor de la reparación o del mantenimiento dentro de los treinta días naturales posteriores a la entrega del producto al consumidor, éste tendrá derecho a que sea reparado o mantenido de nuevo sin costo alguno. Si el plazo de la garantía es superior a los treinta días naturales, se estará a dicho plazo.
- El tiempo que duren las reparaciones efectuadas al amparo de la garantía no es computable dentro del plazo de la misma. Cuando el bien haya sido reparado se iniciará la garantía respecto de las piezas repuestas y continuará con relación al resto. En el caso de reposición del bien deberá renovarse el plazo de la garantía.

DÍA__ MES__ AÑO__

Si desea hacer comentarios o sugerencias con respecto a nuestro servicio o tiene alguna queja derivada de la atención recibida en alguno de nuestros Centros de Servicio Autorizados, por favor dirigirse a:

GERENCIA INTERNACIONAL DE SERVICIO
01 800 71 16 100

Email: mexico.service@hamiltonbeach.com.mx

RED DE CENTROS DE SERVICIO AUTORIZADA GRUPO HB PS, S.A. DE C.V.

Distrito Federal

ELECTRODOMÉSTICOS

Av. Plutarco Elías Calles No. 1499

Zacahuitzco MEXICO 09490 D.F.

Tel: 01 55 5235 2323 • Fax: 01 55 5243 1397

CASA GARCIA

Av. Patriotismo No. 875-B

Mixcoac MEXICO 03910 D.F.

Tel: 01 55 5563 8723 • Fax: 01 55 5615 1856

Nuevo Leon

FERNANDO SEPULVEDA REFACCIONES

Ruperto Martínez No. 238 Ote.

Centro MONTERREY, 64000 N.L.

Tel: 01 81 8343 6700 • Fax: 01 81 8344 0486

Jalisco

SERVICIOS DE MANTENIMIENTO CASTILLO

Garibaldi No. 1450

Ladrón de Guevara

GUADALAJARA 44660 Jal.

Tel: 01 33 3825 3480 • Fax: 01 33 3826 1914

Chihuahua

DISTRIBUIDORA TURMIX

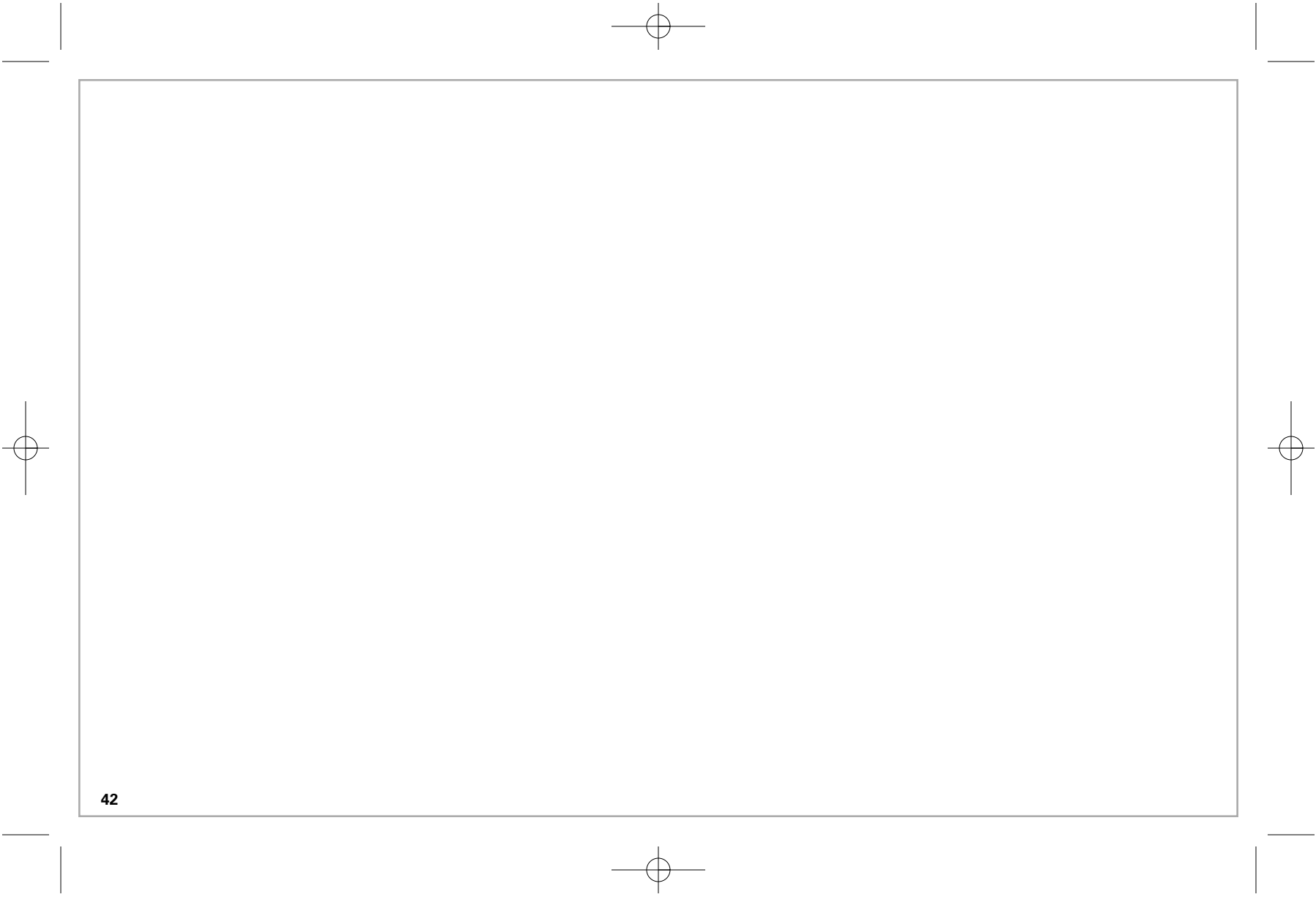
Av. Paseo Triunfo de la Rep. No. 5289 Local 2 A.

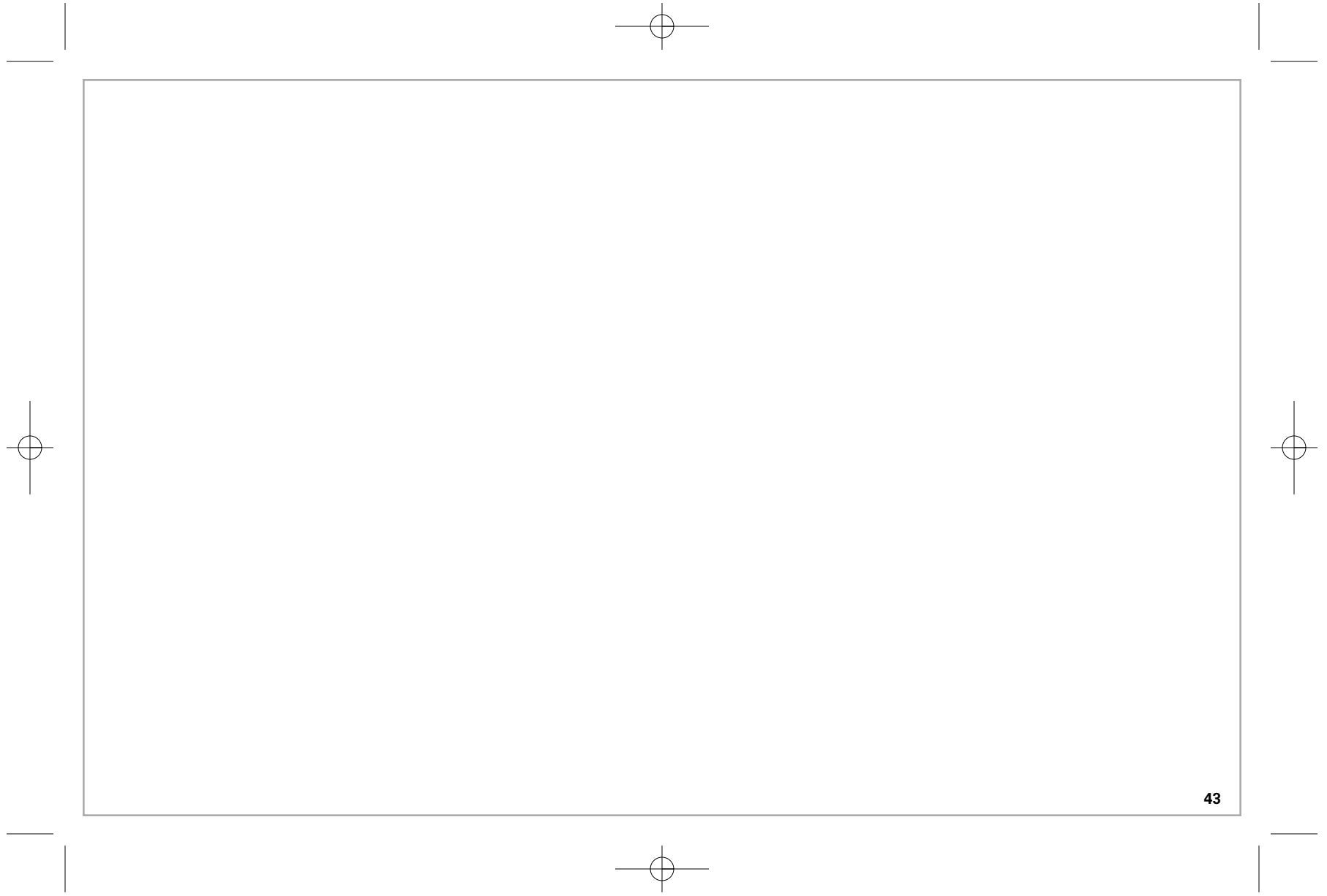
Int. Hipermart

Alamos de San Lorenzo

CD. JUAREZ 32340 Chih.

Tel: 01 656 617 8030 • Fax: 01 656 617 8030





Modelo:
40715

Tipo:
EM02

Características Eléctricas:
120V ~ 60Hz 1050W

Los modelos incluidos en el instructivo de Uso y Cuidado pueden ir seguidos o no por un sufijo correspondiente a una o varias letras del alfabeto y sus combinaciones, separadas o no por un espacio, coma, diagonal, o guión. Como ejemplos los sufijos pueden ser: "Y" y/o "MX" y/o "MXY" y/o "Z".

840181702

Free Manuals Download Website

<http://myh66.com>

<http://usermanuals.us>

<http://www.somanuals.com>

<http://www.4manuals.cc>

<http://www.manual-lib.com>

<http://www.404manual.com>

<http://www.luxmanual.com>

<http://aubethermostatmanual.com>

Golf course search by state

<http://golfingnear.com>

Email search by domain

<http://emailbydomain.com>

Auto manuals search

<http://auto.somanuals.com>

TV manuals search

<http://tv.somanuals.com>