

CHICAGO

Electric Power Tools

SPOTLIGHT

1,000,000 CANDLE POWER

Model 03358

ASSEMBLY & OPERATING INSTRUCTIONS



Visit Our Web Site

<http://www.harborfreight.com>

Distributed Exclusively by



**HARBOR FREIGHT
TOOLS**



3491 Mission Oaks Blvd. / Camarillo, CA 93011

Copyright © 2002 by Harbor Freight Tools®. All rights reserved. No portion of this manual or any artwork contained herein may be reproduced in any shape or form without the express written consent of Harbor Freight Tools.

For Technical questions and replacement parts, please call 1-800-444-3353.

THANK YOU for choosing a **HARBOR FREIGHT TOOLS** product. For future reference, please complete the owner's record below:

Model _____ **Serial No.** _____ **Purchase Date** _____

SAVE THE RECEIPT, WARRANTY AND THESE INSTRUCTIONS. It is important that you read the entire manual to become familiar with the unit BEFORE you begin assembly.

Technical Specifications

Tool Name:	Spotlight, 1,000,000 Candle Power
Item Number:	03358
Housing Diameter:	6"
Battery:	6 VDC (5AH U.L. Listed)
Lens Adapter:	5"
Lens Construction:	3/16" Glass
Candle Power	1,000,000
Light Source:	Quartz Halogen Bulb (115W)
Handle:	4" Pistol Grip
Trigger:	Squeeze Type with Trigger Hold
Power Adapter:	120 VAC / 60 Hz<-> 6 VDC
Charger:	U.L. Listed
Car Adapter:	Lighter Type with 5-1/2' Cord
Tool Weight:	3 LBS.



READ ALL INSTRUCTIONS BEFORE USING THIS PRODUCT!

Warning: The warnings, cautions and instructions discussed in this instruction manual cannot cover all possible conditions and situations that may occur. It must be understood by the operator that **COMMON SENSE AND CAUTION ARE FACTORS WHICH CANNOT BE BUILT INTO THIS PRODUCT, BUT MUST BE SUPPLIED BY THE OPERATOR.**

The Operator

PLEASE REMEMBER:

Never look directly into the Spotlight.

Avoid touching the Lens as it may become hot during operation.

Do not disassemble the Battery or remove any parts from the Battery and surrounding connections.

Do not allow the Spotlight to be exposed to fire or high heat as this may result in an explosion.

Grounding/Voltage Warning

Common household current is 110-120 volts. As long as the outlet used with the tool is rated from 110-120V there will be no complications using it with household receptacles. Plug the Power Adapter into a 110-120V properly grounded outlet protected by a 15-amp, dual element time delay or circuit breaker.

NEVER try to plug a 110-120V tool into a 220-240V circuit or serious complications and possible injury to the operator may occur. The plugs have different shapes to prevent this.

#03358

Page 2

Assembly

Your Spotlight comes completely assembled.

When unpacking your Spotlight, check to make sure that all the parts are included. If any parts are missing or broken, please call **HARBOR FREIGHT TOOLS** at **1-800-444-3353**.

Operation

To assist you with operating your Spotlight, please refer to Figure 1 and Figure 2 on page 4 and to the Parts List and Assembly Diagram located on page 5.

Charging

Your Spotlight Battery (#9) is rechargeable. It can be charged by either using the Power Adapter (#17) or the Car Adapter (#16).

To recharge your Battery (#9) using the AC/DC Adapter (#17):

Step 1) Insert the cord end of the Power Adapter (#17) into the outlet on the back of the Spotlight. Plug the Power Adapter (#17) into an electrical outlet.

Step 2) The red light on the side of the Housing (#1) will light, indicating that the unit is properly plugged in. For the initial charge of the Spotlight, leave the Power Adapter (#17) plugged in for between 12 and 14 hours until the Spotlight is fully charged. The red light will shut off automatically when the battery is fully charged. Subsequent charges of the Battery will take approximately 8 to 10 hours.

Important: Always unplug the Power Adapter (#17) from the Spotlight after the Spotlight is charged. The Spotlight will not function properly if the Power Adapter is plugged into the Spotlight.

Note: After each use of the Spotlight, always fully recharge the battery.

Note: This unit is equipped with an automatic shutoff. If the Battery's power is running low, the unit will automatically stop operating to protect the battery. **Charge the battery immediately.**

To recharge your Battery (#9) using the Car Adapter (#16)

Step 1) Insert the cord end of the Car Adapter (#16) into the outlet on the back of the Spotlight. Plug the plug end of the Car Adapter (#16) into your car's lighter.

For the initial charge, the Spotlight must be charged for between 9 and 12 hours. The red light will shut off automatically when the battery is fully charged. Subsequent charges of the Battery will take approximately 5 to 8 hours.

Note: When charging the Spotlight, only place the Spotlight on a non-flammable surface.

Important: Always unplug the Car Adapter (#16) from the Spotlight after the Spotlight is charged. The Spotlight will not function properly if the Car Adapter is plugged into the Spotlight.

Tripod Adapter

Step 1) Your Spotlight can be mounted onto a tripod or workstand (neither is included). At the bottom of the Trigger Grip Handle there is a Tripod Adapter (#13). Thread the tripod or workstand into this Tripod Adapter.

On/Off with Locking Trigger Hold

Your Spotlight is equipped with a Trigger Hold to allow you to have the Spotlight on while leaving your hands free for work.

Step 1) To turn on your Spotlight, press down on the Trigger (#11). To lock on the Spotlight for an extended amount of time, activate the Locking Trigger Hold (#10). Push in on the Locking Trigger Hold button while the Trigger is depressed. The Spotlight will stay on until the Locking Trigger Hold button on the other side of the handle is pushed in.

If there is any question about a condition being safe or unsafe, do not operate the tool.

Replacing Battery: When the Battery (#9) is dead, it can be easily replaced. To replace battery, slide off Battery Cover (#15) and pull out Battery. Remove red and black wire connections from the old battery. Attach these two wire connections to the new replacement battery.

NOTE: Make sure red battery wire connects to red battery terminal and black battery wire connects to black battery terminal.

Carefully slide the new Battery into Housing (#1), making sure that the wires are not damaged. Slide Battery Cover (#15) back into place.



Figure 1

Figure 2



Warning - Battery Disposal

The Spotlight is powered by a battery which will have a long life span. When the battery is no longer functioning, it should be removed from the Spotlight and properly recycled. Many states require recycling. Contact your local solid waste authority for information on recycling. Before disposing of the battery, wrap exposed terminals with heavy tape to prevent a shorting condition, which could cause fire and/or injury. NEVER EXPOSE THE BATTERY TO HIGH HEAT OR FIRE; BATTERY MAY EXPLODE UNDER THESE CONDITIONS.

PLEASE READ THE FOLLOWING CAREFULLY

THE MANUFACTURER AND/OR DISTRIBUTOR HAS PROVIDED THE PARTS DIAGRAM IN THIS MANUAL AS A REFERENCE TOOL ONLY. NEITHER THE MANUFACTURER NOR DISTRIBUTOR MAKES ANY REPRESENTATION OR WARRANTY OF ANY KIND TO THE BUYER THAT HE OR SHE IS QUALIFIED TO MAKE ANY REPAIRS TO THE PRODUCT OR THAT HE OR SHE IS QUALIFIED TO REPLACE ANY PARTS OF THE PRODUCT. IN FACT, THE MANUFACTURER AND/OR DISTRIBUTOR EXPRESSLY STATES THAT ALL REPAIRS AND PARTS REPLACEMENTS SHOULD BE UNDERTAKEN BY CERTIFIED AND LICENSED TECHNICIANS AND NOT BY THE BUYER. THE BUYER ASSUMES ALL RISK AND LIABILITY ARISING OUT OF HIS OR HER REPAIRS TO THE ORIGINAL PRODUCT OR REPLACEMENT PARTS THERETO, OR ARISING OUT OF HIS OR HER INSTALLATION OF REPLACEMENT PARTS THERETO.

REPLACING THE BULB



Step 1:
Take away the pin on
the back of the reflector.



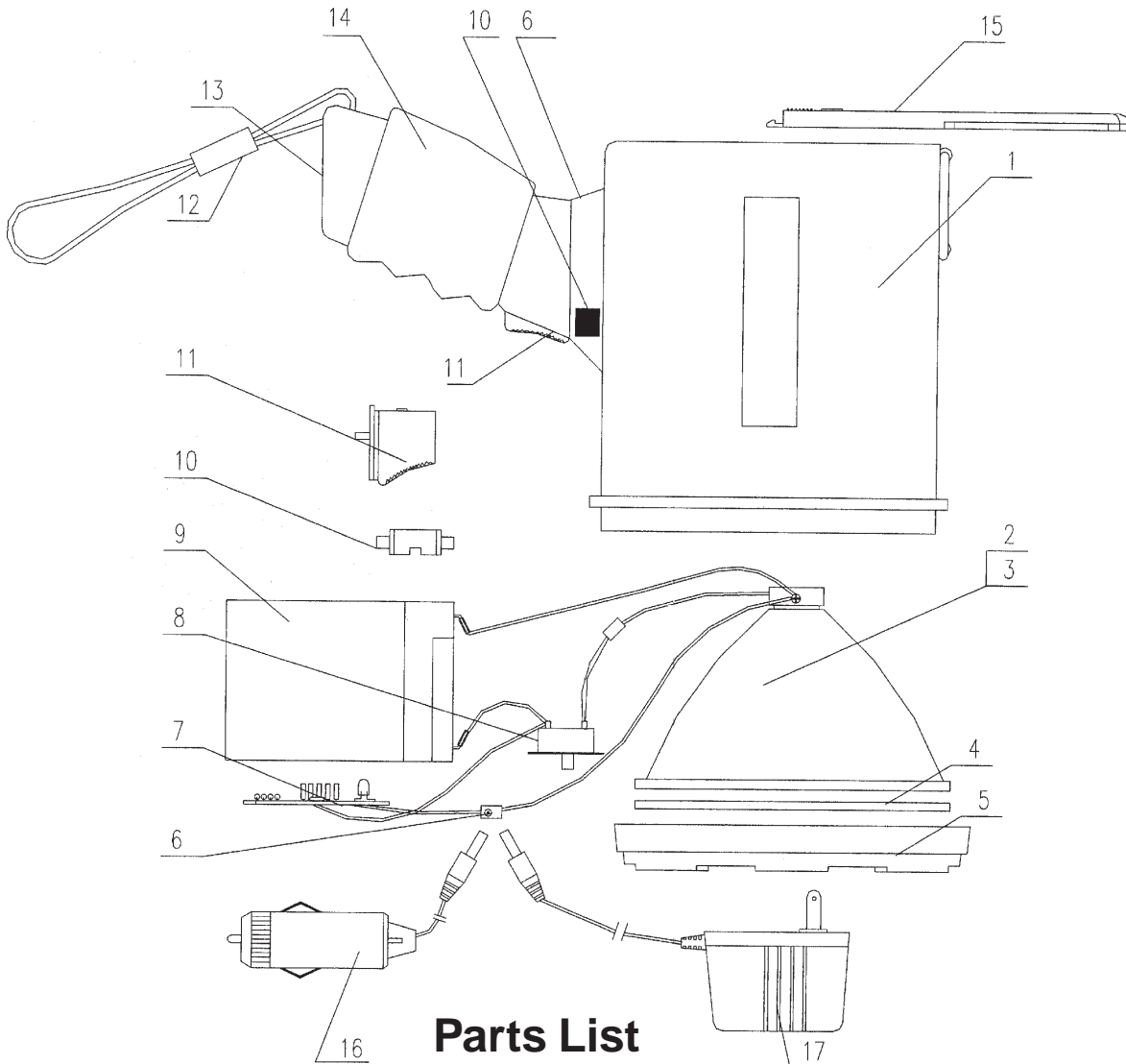
Step 2:
Take out the old bulb with
cord.



Step 3:
Pull out the old bulb from the
cord connection. Replace
with the new bulb and
cord connection and
reassemble by reversing
the steps shown above.

Note: Some parts are listed and shown for illustration purposes only and are not available individually as replacement parts.

Parts Diagram



Parts List

- | | | |
|-------------------|-------------------------|------------------------|
| 1 ABS HOUSING | 6 CHARGER PLUG | 11 TRIGGER |
| 2 REFLECTOR GLASS | 7 CIRCUIT BOARD | 12 HANGING STRAP |
| 3 BULB | 8 SWITCH | 13 TRIPOD ADAPTER |
| 4 GLASS | 9 BATTERY | 14 CUSHION GRIP |
| 5 LAMP LID | 10 LOCKING TRIGGER HOLD | 15 BATTERY COVER |
| | | 16 CAR ADAPTOR |
| | | 17 AC/DC ADAPTOR |

Free Manuals Download Website

<http://myh66.com>

<http://usermanuals.us>

<http://www.somanuals.com>

<http://www.4manuals.cc>

<http://www.manual-lib.com>

<http://www.404manual.com>

<http://www.luxmanual.com>

<http://aubethermostatmanual.com>

Golf course search by state

<http://golfingnear.com>

Email search by domain

<http://emailbydomain.com>

Auto manuals search

<http://auto.somanuals.com>

TV manuals search

<http://tv.somanuals.com>