



CS154F

4-Port KVM Switch

Web: www.hawkingtech.com

Email: techsupport@hawkingtech.com

© Copyright 2003 Hawking Technologies, All rights reserved.



FCC Warning

This equipment has been tested and found to comply with the regulations for a Class B digital device, pursuant to Part 15 of the FCC Rules. These limits are designed to provide reasonable protection against harmful interference when the equipment is operated in a commercial environment. This equipment generates, uses, and can radiate radio frequency energy and, if not installed and used in accordance with this user's guide, may cause harmful interference to radio communications. Operation of this equipment in a residential area is likely to cause harmful interference, in which case the user will be required to correct the interference at his/her own expense.

CE Mark Warning

This is a Class B product. In a domestic environment, this product may cause radio interference, in which case the user may be required to take adequate measures.

VCCI Mark Warning

注意

この装置は、情報処理装置等電波障害自主規制協議会 (VCCI) の基準に基づく第一種情報技術装置です。この装置を家庭環境で使用すると電波妨害を引き起こすことがあります。この場合には使用者が適切な対策を講ずるよう要求されることがあります。

LIMITED WARRANTY

Hawking Technology guarantees that every CS154F KVM Switch is free from physical defects in material and workmanship under normal use for two (2) years from the date of purchase. If the product proves defective during this two-year warranty period, call Hawking Customer Service in order to obtain a Return Authorization number. Warranty is for repair or replacement only. Hawking Technology does not issue any refunds. **BE SURE TO HAVE YOUR PROOF OF PURCHASE. RETURN REQUESTS CANNOT BE PROCESSED WITHOUT PROOF OF PURCHASE.** When returning a product, mark the Return Authorization number clearly on the outside of the package and include your original proof of purchase.

IN NO EVENT SHALL HAWKING TECHNOLOGY'S LIABILITY EXCEED THE PRICE PAID FOR THE PRODUCT FROM DIRECT, INDIRECT, SPECIAL, INCIDENTAL OR CONSEQUENTIAL DAMAGES RESULTING FROM THE USE OF THE PRODUCT, ITS ACCOMPANYING SOFTWARE OR ITS DOCUMENTATION. Hawking Technology makes no warranty or representation, expressed, implied or statutory, with respect to its products or the contents or use of this documentation and all accompanying software, and specifically disclaims its quality, performance, merchantability, or fitness for any particular purpose. Hawking Technology reserves the right to revise or update its products, software, or documentation without obligation to notify any individual or entity. Please direct all inquiries to: techsupport@hawkingtech.com.



Packing List

CS154F 4-Port KVM Switch

The complete CS154F package consists of:

- ◆ One 4-Port CS154F KVM Switch
- ◆ Two Premium Quality KVM Cables
- ◆ One User's Manual

Check to make sure that the unit was not damaged during shipping. If you encounter a problem, contact your dealer.

Please read this manual thoroughly, and follow the installation and operation procedures carefully to prevent any damage to the CS154F unit, and/or any of the devices connected to it.

© Copyright 2003 Hawking Technologies, Inc.

All brand names and trademarks are the registered property of their respective owners.



Table of Contents

CS154F 4-Port KVM Switch

Overview.....	3
Features.....	4
Hardware Requirements	5
Console.....	5
PC.....	5
Cables.....	5
Introduction.....	6
Front View.....	6
Side View.....	6-7
Console View.....	7
Installation.....	8
Operation.....	9
Port Selection.....	9
Manual Navigation.....	9
Hot Key Navigation.....	9
Auto Scan Mode.....	10
Appendix.....	11
LED Status.....	11
Troubleshooting.....	11-12
Specifications.....	13



The CS154F 4-Port KVM Switch is a control unit that allows access to multiple computers from a single console (keyboard, monitor and mouse). Before the development of the CS154F, the only way to control multiple computer configurations from a single console was through a complex and costly network system. Now, with the CS154F, you can easily access multiple computers in a cost effective manner.

The CS154F unit can control up to 4 PCs, all from a single console.

Setup is fast and easy; all that is required is for the user to plug the cables into the appropriate ports. There is no software to configure, so there is no need to get involved in complex installation routines or to be concerned with incompatibility problems. Since the CS154F intercepts keyboard input directly, it works on any hardware platform and with all operating systems.

The CS154F provides two convenient methods to access any PC connected to the system: (1) using the push button port selection switch located on top of the unit's panel; (2) entering *HotKey* combinations from the keyboard. In addition, a powerful *Quick View Scan* feature allows you to auto scan and monitor the activities of all operating PCs on the installation one by one.

There is no better way to save time and money. By allowing a single console to manage all the attached PCs, the CS154F eliminates the expense of purchasing a separate keyboard, monitor and mouse for each PC, and saves all the extra space as well. It also eliminates the inconvenience and unnecessary effort involved in constantly moving around from one PC to another.



CS154F 4-Port KVM Switch

- ◆ Control Up to 4 PCs From a Single Console
- ◆ No Software Required - PC Selection via “Select” button on the Switch, *HotKey* combinations
- ◆ Quick View Scan Feature for Monitoring Selected PCs
- ◆ PS/2 and Serial Mouse Emulation Provided For System Bootup
- ◆ Console's PS/2 Mouse Controls All Connected PCs
- ◆ PS/2 Compatible Mouse Support - Microsoft Intellimouse Pro, Logitech FirstMouse, FirstMouse+, Support*
- ◆ SVGA, VGA and Multisync Monitor Support
- ◆ Superior Video Quality; 1920 x 1440
- ◆ LED Display For Easy Status Monitoring
- ◆ Includes 2 High Quality KVM Connector Cables
- ◆ Hot Pluggable - Add or Remove PCs for Maintenance Without Powering Down the Switch

* 1. PS/2 compatible mouse support is for three button (wheel) mice.

2. The Logitech Mouse Ware program's *Change Device* procedure does not work on Microsoft NT systems.



Hardware Requirements

CS154F 4-Port KVM Switch

Console

- ◆ A VGA, SVGA, or Multisync monitor with the highest resolution that you will be using on any PC in the installation
- ◆ A PS/2 Style Mouse
- ◆ A PS/2 Style Keyboard

PC

The following equipment must be installed on each PC that is to be connected to the system:

- ◆ A VGA, SVGA or Multisync card.
- ◆ Either a 6-pin mini-DIN (PS/2 style), *or* DB-9 (standard serial) mouse port.
- ◆ Either a 6-pin mini-DIN (PS/2 Style) keyboard port with +5V DC on pin 4 and Ground on pin 3, *or* a 5-pin DIN (AT Style) keyboard port with +5V DC on pin 5 and ground on pin 4.*

* See the note under Cables in the next section.

Cables

Although it is possible to use generic extension cables to connect the PCs to the CS154F, for optimum signal integrity and to simplify the layout, we strongly recommend that you use the high quality KVM Cables included with your 4-Port KVM Switch.

Note:

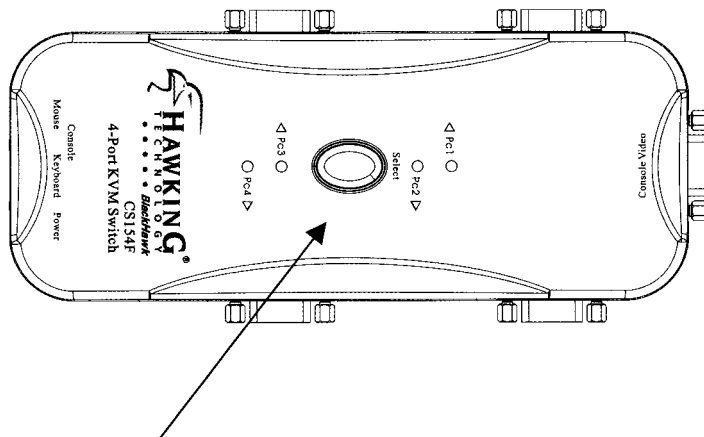
1. If your PC uses a standard AT style keyboard socket you will need to purchase a PS/2-to-AT keyboard adapter in order to plug the cable into the computer's keyboard port.
2. If your PC uses a standard 9-pin serial port for the mouse, you will need to purchase a PS/2-to-Serial mouse adapter in order to plug the cable into the computer's serial port.
3. Because of the wiring and pin assignments, you cannot use a Serial-to-PS/2 adapter at the end that plugs into the CS154F. Therefore, attempting to use a standard serial extender cable with adapters at both ends will fail.



Introduction

CS154F 4-Port KVM Switch

FRONT VIEW:



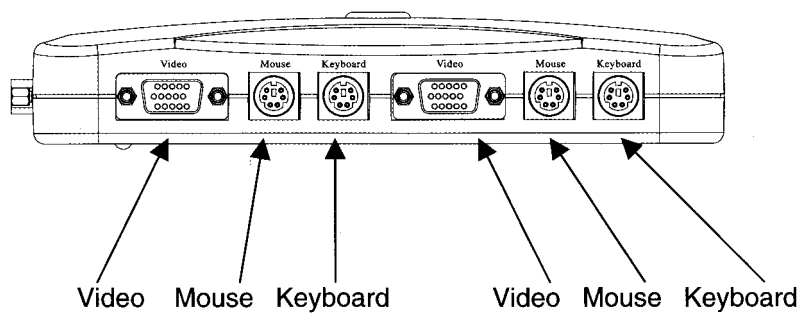
1. Port LEDs:

Pressing the “Select” button switches access back and forth between the PCs. The *selected* LED lights indicate which port is the active one.

2. Sounds:

The switch will beep when switching ports.

SWITCH SIDE VIEW

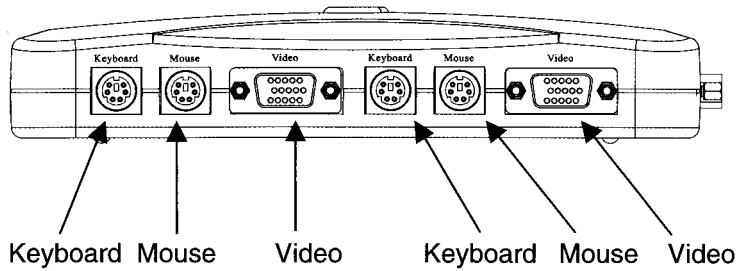




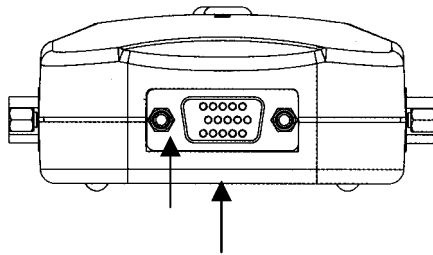
Introduction

CS154F 4-Port KVM Switch

SWITCH SIDE VIEW

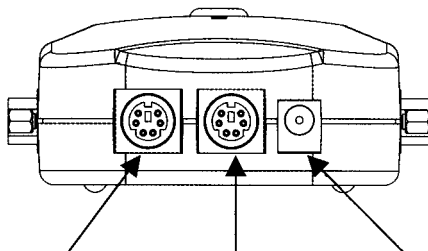


VIDEO CONSOLE



Console Video (To monitor)

CONSOLE – MOUSE / KEYBOARD / POWER



Console Mouse Console Keyboard DC 9V 500mA Max (not necessary)



Installation

CS154F 4-Port KVM Switch

Before you begin, please make sure that all of the devices that you are going to connect to have power turned off.

Installation

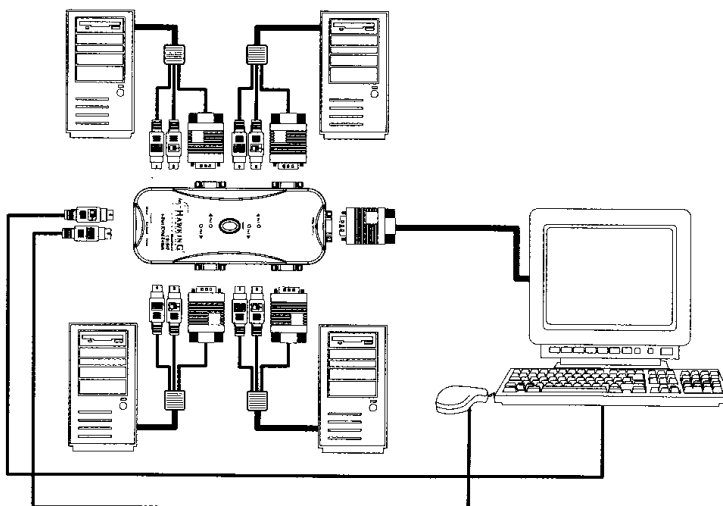
To set up your CS154F, please follow the steps below:

1. Plug the cables from your keyboard, mouse and monitor into the Console Ports.
2. Use the supplied connector cable sets (as described in the Hardware Requirements section) to connect the monitor, keyboard and mouse ports of the PCs to the CS154F 4-port KVM Switch.
3. The CS154F does not require external power. If you choose to use external power, plug the power adapter into an AC power source, then plug the cable into the CS154F Power Jack.

Note: Use of a DC power adapter is optional, and requires a separate purchase.

4. Turn on the power of the PCs.

Installation Diagram



Port Selection

Controlling all the PCs connected to your CS154F from a single console couldn't be easier. You can access any PC on the chain using two methods: Manual or *HotKey*.

◆ Manual

Simply press the “Select” button located on top of the CS154F to switch back and forth between computers. The *selected* LED lights indicate the port that is currently in use.

◆ *HotKey* Navigation

HotKey navigation allows you to conveniently access connected PCs directly from the keyboard, instead of having to manually select by pressing the “Select” button on the CS154F switch. To select a port with the *HotKey* method, do the following:

1. Press and release the [Scroll Lock] key twice within 2 seconds and press:
 - a) “Up-Arrow” to select the previous channel,
 - b) “Down Arrow” to select the next channel,
 - c) [S] key to set the KVM switch into Auto Scan Mode.





Auto Scan Mode

The CS154F *Auto Scan* feature automatically switches between the two PCs at regular 8 second intervals so that you can monitor their activity without having to take the trouble of switching yourself. To invoke the Auto Scan Mode, key in the following *HotKey* combination:

[Scroll Lock] + [Scroll Lock] + [S]

Reminder: Press and release the [Scroll Lock] key twice within 2 seconds.

Once scanning begins, it continues until you press any other key to exit Auto Scan Mode. The port that was currently active at the time when scanning stopped remains active.

Last/Next Mode

The Last/Next feature is provided to enable you to quickly switch back and forth between computers in order to monitor them manually, instead of using Auto Scan Mode. This method lets you dwell on a particular port for as long or as little as you like – as opposed to Auto Scan Mode, which switches after a fixed interval.

1. Press [Scroll Lock] + [Scroll Lock] + “Up Arrow”
2. Press [Scroll Lock] + [Scroll Lock] + “Down Arrow”

Activity	Meaning
Off	Port is not selected
On (Steady)	Port is connected to an active PC
Flashing (On and Off equal)	Port is connected to an active PC and is being accessed in Auto Scan mode.

Troubleshooting

Note: If you are experiencing difficulties, first make sure that there are no problems with the cables, and that they are all properly connected.

Symptom	Possible Cause	Action
Erratic Behavior	Unit not receiving enough power under self-powered operation.	Use the Power Adapter that was supplied with the unit to provide external power.
Keyboard Not Responding*	Keyboard needs to be reset	Unplug the Keyboard from the Console Keyboard Port, then plug it back in.
	CS154F needs to be reset	Turn off the PCs and wait for five seconds. Turn them back on.
	CS154F is in Auto Scan Mode or Last/Next Mode	Press the [Spacebar] to exit Auto Scan or Last/Next Mode.
Mouse Not Responding**	Mouse needs to be reset	Unplug the Mouse from the Console Mouse Port, then plug it back in.
	CS154F needs to be reset	Turn off the PCs and wait for five seconds. Turn them back on.

	Mouse in unsupported mode	<p>The CS154F supports most mice with PS/2, including Microsoft Intellimouse, Logitech Net Mouse, etc.</p> <p>If the problem persists, change the mouse and/or mouse driver. Try a regular mouse with a generic mouse driver (like the ones that come with the operating system).</p>
Video Problems	Resolution and/or Bandwidth set too high	Select a lower resolution and/or bandwidth
	Poor cable quality	We strongly recommend that you use the premium KVM cables included with your CS154F. Using high quality cables should eliminate possible video problems.

*The 4-Port KVM Switch is designed to work with PS/2 keyboards. Older XT (84-key) and some older AT keyboards (those with the function keys on the side), will not work.

**Some Notebook computers, notably the IBM Thinkpad and Toshiba Tecra, have trouble working with the CS154F when their mice and keyboard ports are used simultaneously. To avoid this problem, only connect the mouse port or the keyboard port to the CS154F unit. If you connect the mouse port, you will need to use the notebook's keyboard when you switch to make the notebook the active computer.

Specifications

Function		Specifications
Computer Connections		4
Port Selection		Push Button, Hot Keys
LEDs		4-Port Status
Connectors	Keyboard	1 x 6-pin mini-DIN female (PS/2 style) – Console 4 x 6-pin mini-DIN female (PS/2 style) – PC Ports
	Mouse	1 x 6-pin mini-DIN female (PS/2 style) - Console 4 x 6-pin mini-DIN female (PS/2 style) – PC Ports
	Video	1 x HDB – 15-pin HDB Type Female – Console 4 x HDB – 15-pin HDB Type Female - PC Ports
VGA Max Resolution		Up to 1920 x 1440
Auto Scan Interval		8 seconds
Operating System		DOS, Win 3.X, Win95/98/2000/ME
Power Consumption		DC 9V 500mA (max.)
Operating Temperature		5 ~ 40° C
Storage Temperature		-20 ~ 60° C
Humidity		0 ~ 80% RH, Noncondensing
Housing		Plastic
Weight		5 oz (140 grams)
Dimensions (L x W x H)		4.33"x 2.95" x 1.22" (110 x 75 x 31 mm)

Free Manuals Download Website

<http://myh66.com>

<http://usermanuals.us>

<http://www.somanuals.com>

<http://www.4manuals.cc>

<http://www.manual-lib.com>

<http://www.404manual.com>

<http://www.luxmanual.com>

<http://aubethermostatmanual.com>

Golf course search by state

<http://golfingnear.com>

Email search by domain

<http://emailbydomain.com>

Auto manuals search

<http://auto.somanuals.com>

TV manuals search

<http://tv.somanuals.com>