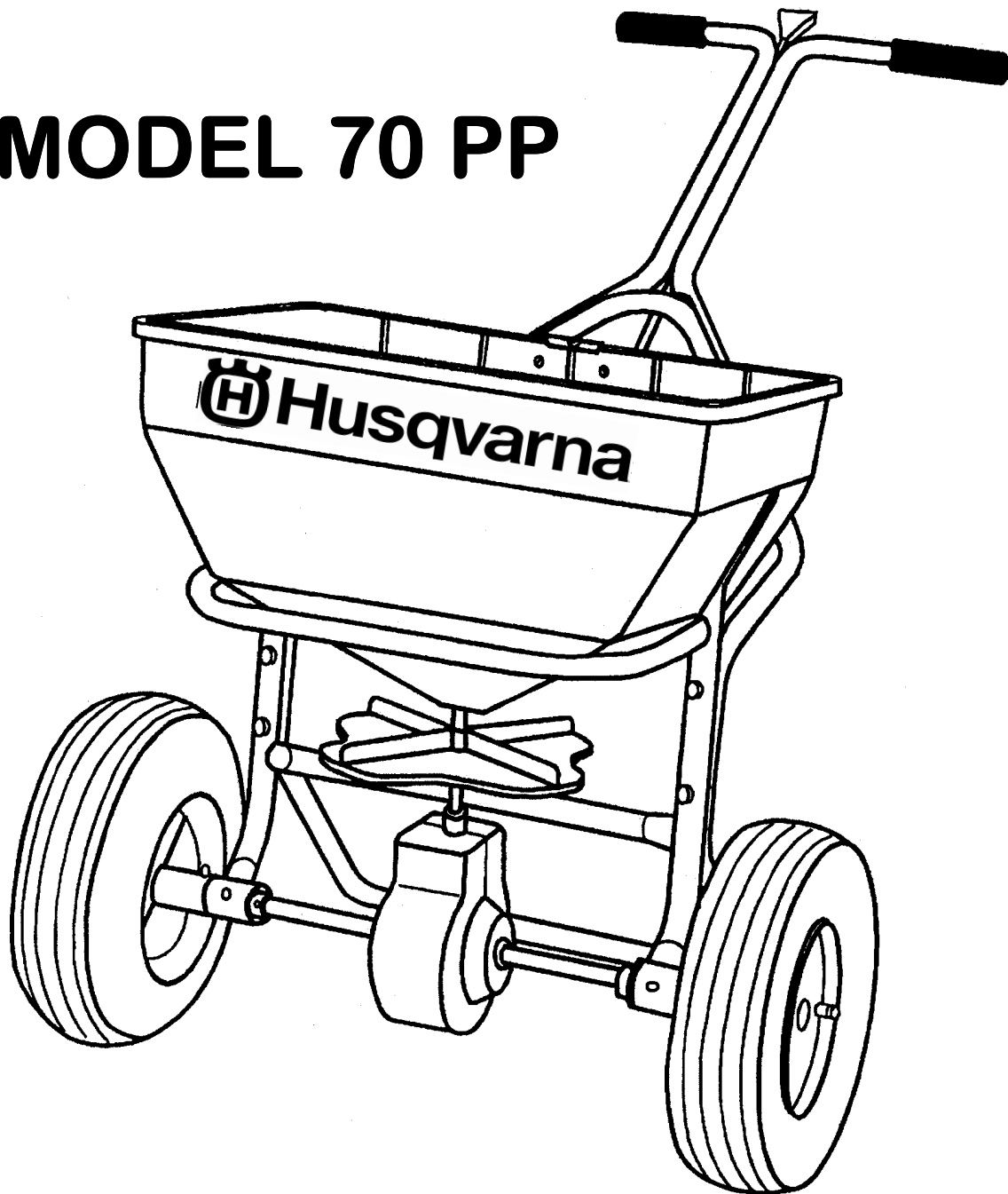


Husqvarna

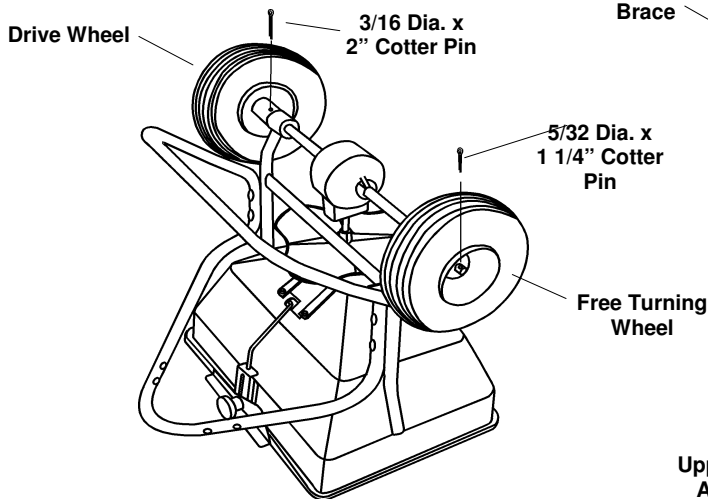
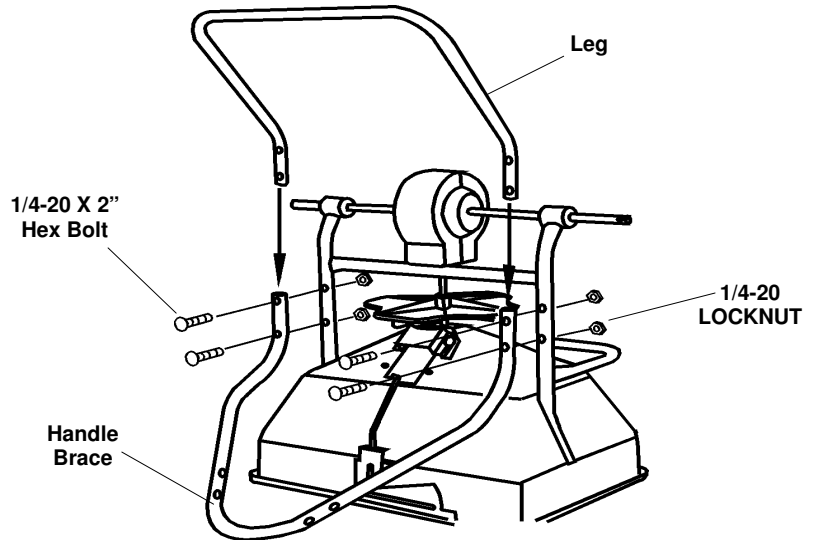
MODEL 70 PP



OWNER'S MANUAL

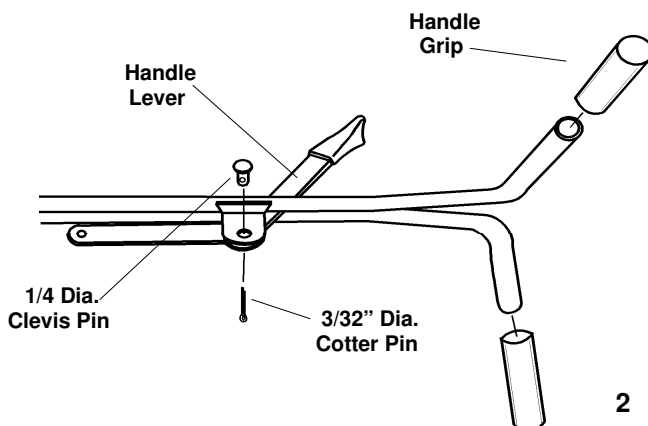
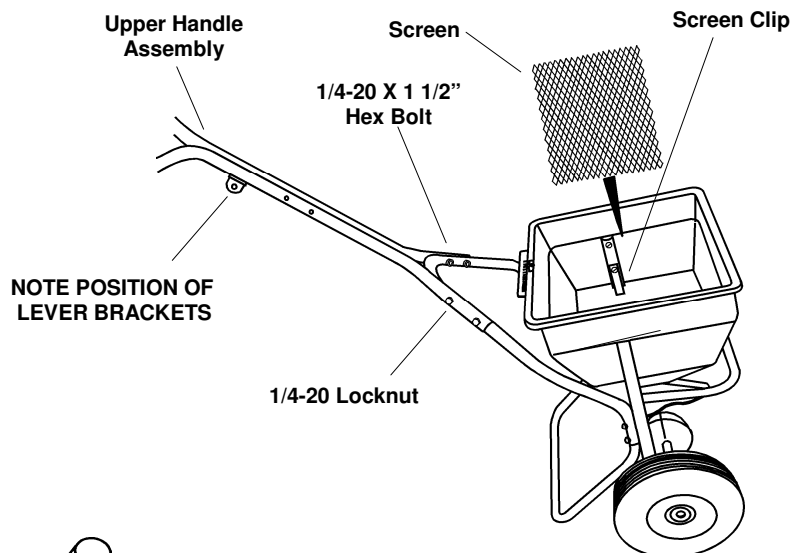
ASSEMBLY

1. Remove the spreader and components from carton and place hopper up-side down on a padded surface as shown. Insert ends of leg into handle brace as shown and align holes. Attach brace and leg to frame using (4) 1/4-20 x 2 1/4" hex bolts and locknuts.



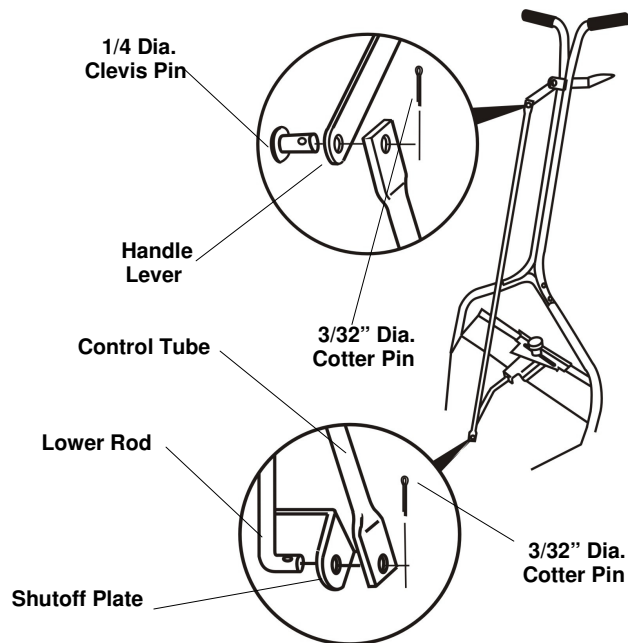
2. Slide wheels onto end of axle with the hub facing toward frame. Wheels are identical to ease assembly. Align the hole in the wheel hub and the hole in the axle as shown. Secure drive wheel to axle with 3/16 dia. x 2" cotter pin. Insert 1/8 dia. x 1 1/4" cotter pin in the hole near the end of axle to retain free turning wheel.

3. Turn spreader upright on wheels. Insert screen into hopper sliding it under the screen clips. Attach the upper handle assembly to handle brace with the handle lever brackets facing as shown. Secure with (4) 1/4-20 x 1 1/2" hex bolts and locknuts.



4. Slide handle lever between handle brackets as shown and secure with (1) 1/4 dia. clevis pin and 3/32" dia. cotter pin. Make sure lever pivots freely. Install handle grips onto upper handle. Soapy water will ease installation. (Do not use petroleum based products).

5. Attach control tube to handle lever with (1) 1/4 dia. clevis pin and a 3/32" dia. cotter pin. Slip opposite end of control tube over lower control rod making sure shutoff plate is between the lower rod and the control tube. Secure with a 3/32" dia. cotter pin.



OPERATION

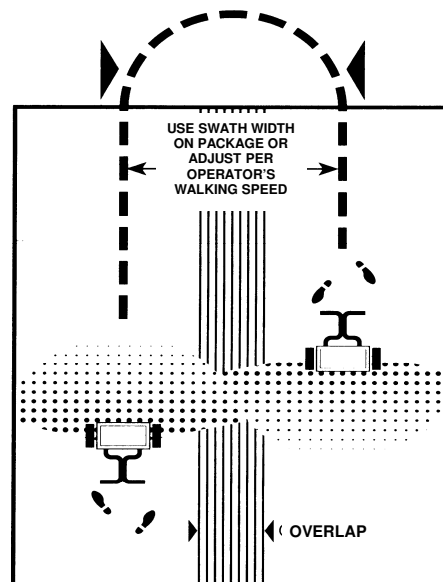
1. Check the product package for the rate setting, and recommended swath width. Loosen rate control knob and slide rate plate to the proper setting. The pattern is controlled by loosening the two knobs on the discharge chute and moving the chute closer or farther away from the impeller (setting A, B, or C). See "PATTERN ADJUSTMENT" for details.

2. Always fill the spreader on the driveway or sidewalk-not on the lawn. Make sure screen is in hopper and spreader is in the "OFF" position.

3. Start spreader moving before opening port. Close before stopping. Always push spreader, never pull.

4. Hold handle so top of spreader is level. Tipping the spreader too far can cause uneven spreading.

5. The settings and swath widths on the product label are recommended starting points. Always check the delivery rate and pattern on a small area before treating a large area. Actual delivery rate can vary due to weather conditions, operating variables, and condition of the product being applied. See "HOW TO DETERMINE SPREADER SETTINGS AND SPREAD WIDTH" for details.



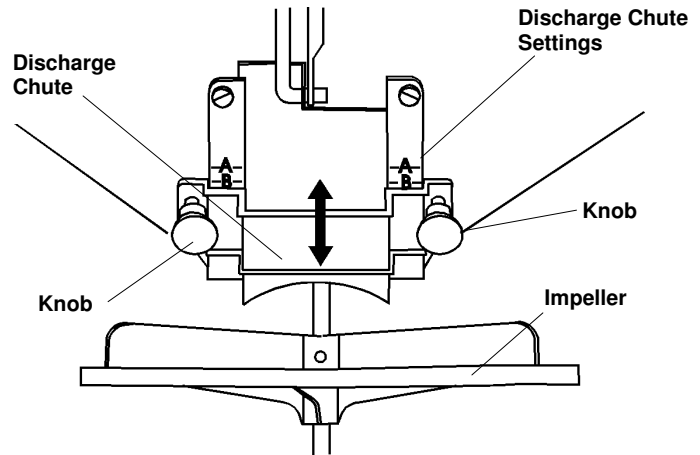
6. Push spreader at a normal walking speed - 2 1/2 m.p.h. (18 feet in 5 seconds). Apply header strips around area to be treated. Space trips across the area as shown. Keep material off flower beds, sidewalks, etc.

7. When transporting spreader, make sure that it is in the "OFF" position. Make sure handle lever is locked using the hitch pin through the hole in lever.

8. Empty spreader after each use. Return leftover material to its original container.

PATTERN ADJUSTMENT

Normal spreading of materials requires no adjustment (factory setting "A") unless stated on the package. In those cases where the spread pattern has shifted, the pattern can be adjusted left and right by loosening the two knobs on the discharge chute and moving the chute closer or farther away from the impeller. Settings of "A, B, and C" are provided as reference.



HOW TO DETERMINE SPREADER SETTINGS AND SPREAD WIDTH

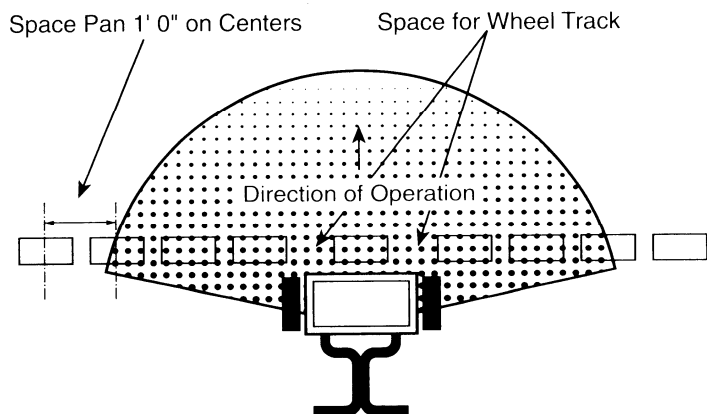
Two major factors should be considered when determining correct spreader settings of any product:

1. The product application rate, or the amount of material applied per 1,000 square feet.
2. The effective pattern width, or the actual width in which material is applied. Label settings are a guide and can be affected by numerous factors.

EFFECTIVE PATTERN WIDTH

A simple visual pattern test can be made by operating the spreader over a non-turf area and evaluating the pattern. A more accurate method is to place a row of common, disposable, aluminum cake pans approximately 1 foot on centers. Set the rate plate at a middle setting and make 3 or 4 passes in the same direction as shown. Pour the material collected from each pan into individual bottles of the same size. Set them side by side in order, and visually inspect their volume. If the pattern is not centered (example: volume in bottle #2 left not equal to bottle #2 right), adjust the discharge chute up or down as described in "PATTERN ADJUSTMENT" section.

Once the pattern is uniform, the effective pattern width can be determined. The



effective pattern width is the distance out from the spreader to a point where the amount of material is 1/2 the average amount in the center pans. This distance is multiplied by 2 to achieve the total effective pattern width.

APPLICATION RATE

Knowing the effective pattern width (for example, 10 feet), measure a distance equal to 100 square feet (10' x 10' swath width). Determine the product coverage in pounds / 100 sq. ft. by taking the weight of the product and dividing it by the recommended square foot coverage (add two zeroes to the weight of the bag).

EXAMPLE: Product weight: 25 lbs.
sq. ft. coverage: 5,000 sq. ft.
 $2500 \text{ lbs.} \div 5,000 \text{ sq. ft.}$
 $= .5 \text{ lbs.} / 100 \text{ sq. ft.}$






Weigh out 15 to 20 lbs. of material and spread over the 100 sq. ft. area. Weigh remaining material left in hopper and adjust rate setting as required. Repeat test until application rate is correct.

RATE SETTING CONVERSION

The following provides approximate Husqvarna 70 PP settings for those units listed.

Husqvarna 70 PP Setting	B	C	D	E	F	G	H	I	J	K	L	M	N	O	P	Q	R	S	T	U	V	W	X	Y	Z
Prizelawn. BF I \ CBR Setting	B	C	D	E	F	G	H	I	J	K	L	M	N	O	P	Q	R	S	T	U	V	W	X	Y	Z
Prizelawn. CBR II Setting	—	2	—	2.5	—	3	3.5	—	4	—	4.5	5	5.5	6	6.5	7	8	9.5	10	11	12	13	14	15	—
Lesco #029600 Setting	—	B	C	D	—	E	F	—	G	H	I	—	J	K	L	—	M	N	O	—	P	Q	R	—	S
Scotts R8A/SR-1 Setting	D	E	F	G	H	I	J	K	L	M	N	O	P	Q	R	S	T	U	—	V	W	—	X	Y	Z
Earthway 2200/2400 Setting	5	—	—	—	10	—	—	—	—	15	—	—	—	—	20	—	—	—	—	25	—	—	—	—	30
Spyker 76/78-2 Setting	—	3	—	—	—	4	—	—	5	—	—	6	—	—	7	—	—	8	—	—	—	9	—	—	10
Scotts SPEEDY GREEN	—	—	—	2	—	—	3	3.5	J	4.5	5	5.5	6	—	6.5	—	7	—	7.5	—	8	—	8.5	—	9

The following provides approximate Husqvarna 70 PP settings when only the product weight, square foot coverage, and visual inspection of the material is available.

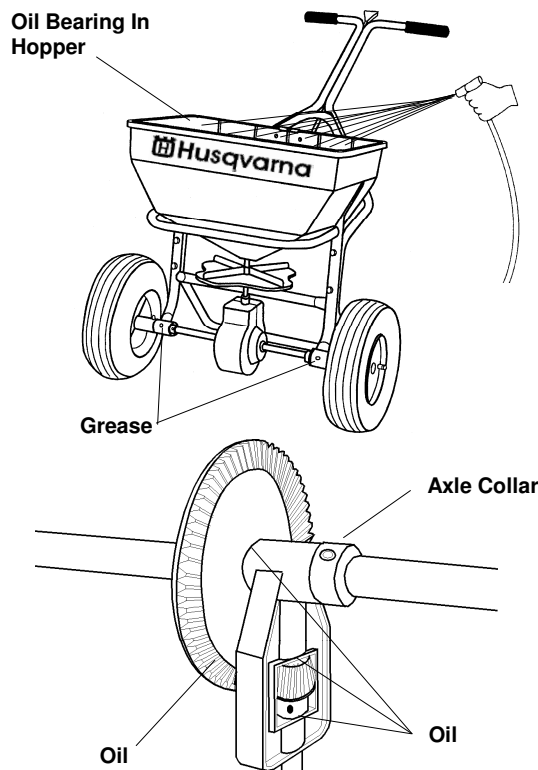
FERTILIZER PARTICLE SIZE		BAG RATE Lbs. of fertilizer used per 1,000 sq. ft. of coverage	APPROX. SETTING	SPREAD WIDTH
Large, heavy particles		5	M	12
		10	O	12
		15	Q	12
Medium- mixed particles		5	L	10
		10	N	10
		15	O	10
Small particles (nitrogen)		1	G	10
		2	J	10
		3	L	10
Mixed size particles -some fines		5	M	8
		10	O	8
		15	P	8
Light weight particles		5	J	6
		10	L	To
		15	O	8

The conversions should be used as guidelines for establishing proper rate settings for the particular product being applied. Steps for obtaining the most accurate settings are outlined in the "How to Determine Spreader Settings and Spread Width" section of this manual.

These settings are approximate and may vary due to physical characteristics of the product. Walking speed, wear, condition of the turf and humidity, may cause actual rate setting to deviate. No expressed nor implied warranty or guarantee is provided as to coverage or uniformity indicated by these rate settings.

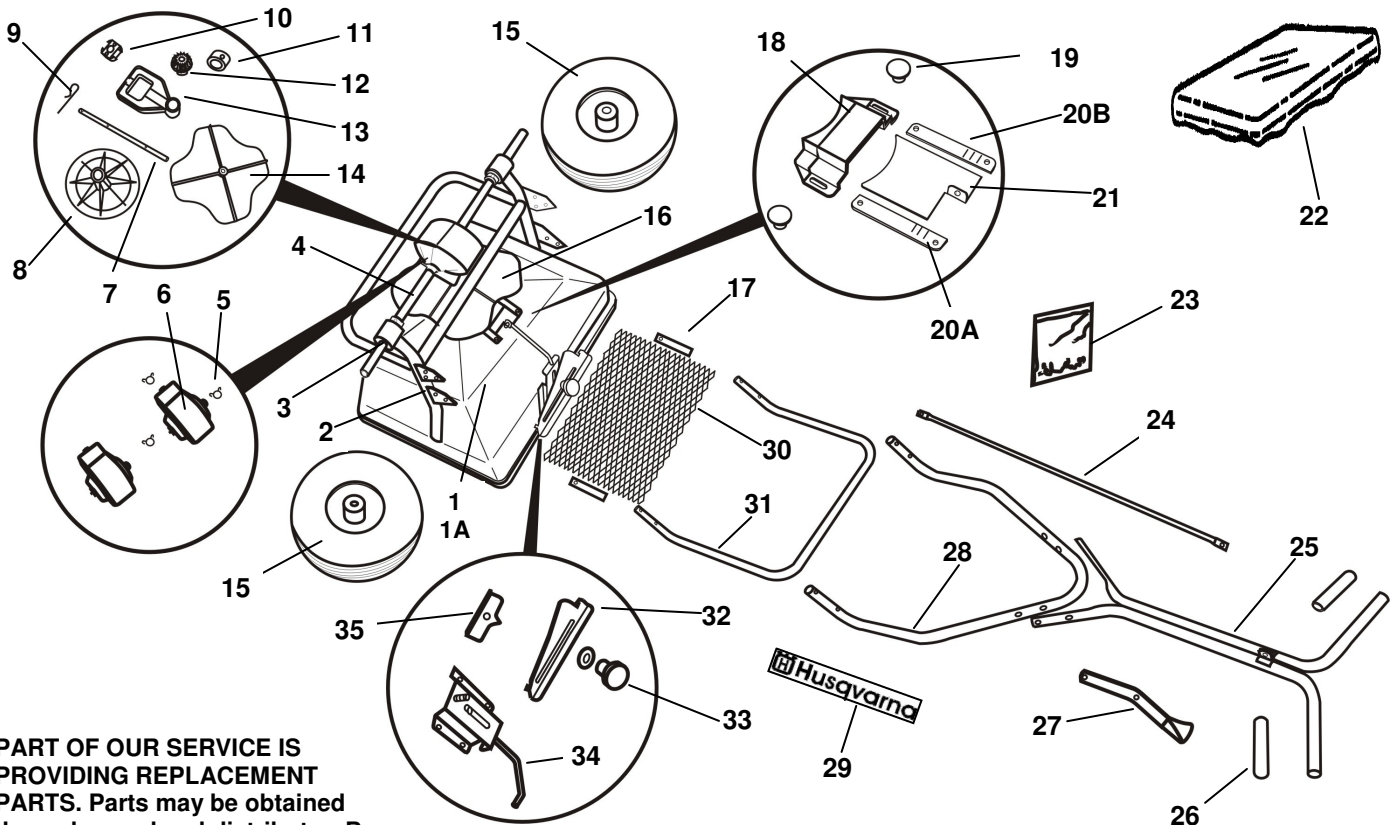
MAINTENANCE

1. Never store unused material in spreader. Return unused product to its original container.
2. Wash spreader thoroughly after each use and dry completely in sun or heated area.
3. Grease axle bearings in frame. Oil the impeller shaft bearing in hopper, pivot points on the shut-off plate and the spring in the housing behind the rate plate.
4. Remove gear cover and wash gears thoroughly. Oil all bearing areas and face of gear teeth. Lubricate gear teeth and re-install gear cover.
5. Gear mesh should be checked on a regular basis during high use periods. Clearance between the axle gear and pinion gear should be minimal but not tight. If adjustment is necessary, loosen axle collar set screw and hold gears together. Slide axle collar against the gear support and tighten axle collar set screw. Spin drive wheel. Gears should run freely and smoothly.
6. Impeller surface should be cleaned periodically to remove build-up of product. Build-up can cause the spread pattern to change.
7. Tire pressure should be 20-25 PSI.



 Husqvarna

Parts List Model 70 PP



PART OF OUR SERVICE IS PROVIDING REPLACEMENT PARTS. Parts may be obtained through your local distributor. Be sure to give:

1. SPREADER MODEL NUMBER
2. SPREADER NAME
3. PART NUMBER
4. NAME OF PART AS SHOWN

IF YOUR LOCAL DISTRIBUTOR CANNOT SUPPLY PARTS, CONTACT:

Husqvarna

7349 Statesville Road
Charlotte, NC. 28269
(800) 448-7543

Key No.	Description	Part No.	Key No.	Description	PART NO.
1	Hopper Assembly	525 56 82-01	19	Discharge Chute Knob (2 Req.)*	525 56 83-02
1A	Hopper*	525 56 82-02	20A	Shutoff Plate Guide-RH.*	525 56 83-05
2	Frame Assembly	525 56 92-01	20B	Shutoff Plate Guide-LH.*	525 56 83-04
3	Axle Bearing (4 Req.)	525 56 86-03	21	Shutoff Plate*	525 56 84-01
4	Axle	525 56 86-01	22	Hopper Cover	525 56 82-04
5	Gear Cover Clamp (3 Req.)	525 56 88-02	23	Fastener Package	525 56 94-01
6	Gear Cover Assembly	525 56 88-01	24	Control Tube	525 56 89-01
7	Impeller Shaft	525 56 87-03	25	Upper Handle	525 56 85-03
8	Axle Gear	525 56 86-04	26	Handle Grip (2 Req.)	525 56 85-02
9	Agitator	525 56 00-02	27	Handle Lever Ass'y w/Chain	525 56 85-01
10	Impeller Shaft Bearing*	525 56 87-02	28	Handle Brace	525 56 85-04
11	Axle Collar w/ Scr. (3 Req.)	525 56 86-02	29	Hopper Label	525 56 82-05
12	Pinion Gear	525 56 88-04	30	Hopper Screen	525 56 82-03
13	Gear Support	525 56 88-03	31	Leg	525 56 98-01
14	Impeller	525 56 87-04	32	Rate Plate*	525 56 84-02
15	Drive & Free Turning Wheel	525 56 96-02	33	Rate Control Knob*	525 56 93-01
16	Impeller Assembly	525 56 87-08	34	Spring Housing Assembly*	525 56 95-01
17	Screen Clip (2 Req.)	525 56 91-01	35	Pointer*	525 56 97-01
18	Discharge Chute*	525 56 83-01			

*Parts included in hopper assembly

Free Manuals Download Website

<http://myh66.com>

<http://usermanuals.us>

<http://www.somanuals.com>

<http://www.4manuals.cc>

<http://www.manual-lib.com>

<http://www.404manual.com>

<http://www.luxmanual.com>

<http://aubethermostatmanual.com>

Golf course search by state

<http://golfingnear.com>

Email search by domain

<http://emailbydomain.com>

Auto manuals search

<http://auto.somanuals.com>

TV manuals search

<http://tv.somanuals.com>